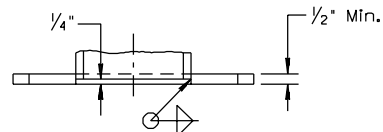
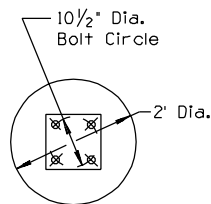


SECTION A-A

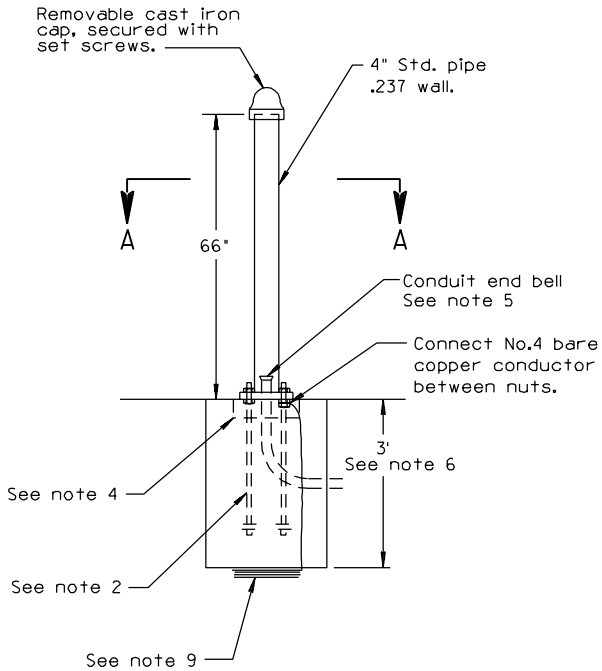


SECTION B-B

BASE PLATE DETAIL



FOUNDATION PLAN



**NOTES:**

1. All materials and construction shall conform to the requirements of the Specifications.
2. See T.S. 4-23 detail "B" for anchor bolt details. Each anchor bolt shall have four hex nuts and two flat washers, all to be furnished with pole.
3. Anchor bolts shall project  $2\frac{3}{4}$ " above the foundation.
4. Block out for leveling nuts.
5. Conduit shall project a minimum of 2" and a maximum of 4" above the foundation. See plans for conduit size and location.
6. Unstable soil may require deeper foundation. See Standard Specifications.
7. See T.S. 11-1 for push button details.
8. See T.S. 4-21 for push button pole drilling details.
9. A 25' coil of No. 4 AWC bare copper conductor shall be installed before the concrete is poured and connected to anchor bolt.

DESIGN APPROVED	<b>SIGNATURE</b>	ARIZONA DEPT. OF TRANSPORTATION INTERMODAL TRANSPORTATION DIVISION TRAFFIC SIGNALS & LIGHTING STANDARD DRAWINGS	REV.
APPROVED FOR DISTRIBUTION		ON FILE	DRAWING NO. PEDESTRIAN PUSH BUTTON POST T.S. 4-22