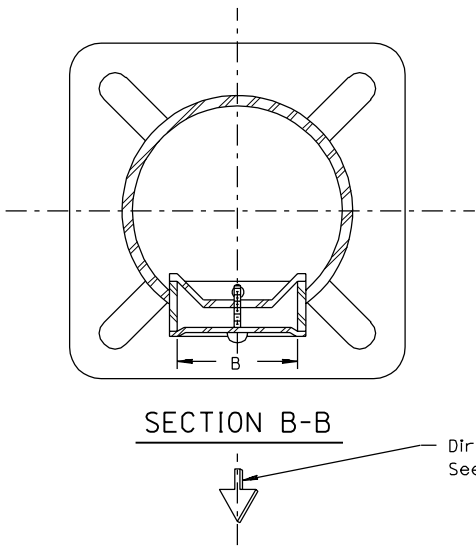


HAND HOLE DIM'S.		
Pole Type	A	B
Type "A"	5"	3"
All Others	6 1/2"	4"



NOTES:

1. Hand hole cover locking device shall be used.
2. Pole ground shall be 5/16" dia. N.C. tapped hole located as shown.
3. Hand hole shall be oriented so that it is aligned with the mast arm.
4. Hand hole cover may be rectangular shape or oval shape.

DESIGN APPROVED	SIGNATURE	ARIZONA DEPT. OF TRANSPORTATION INTERMODAL TRANSPORTATION DIVISION TRAFFIC SIGNALS & LIGHTING STANDARD DRAWINGS	REV.
APPROVED FOR DISTRIBUTION		ON FILE	DRAWING NO. T.S. 4-20
		POLE HAND HOLE DETAIL	