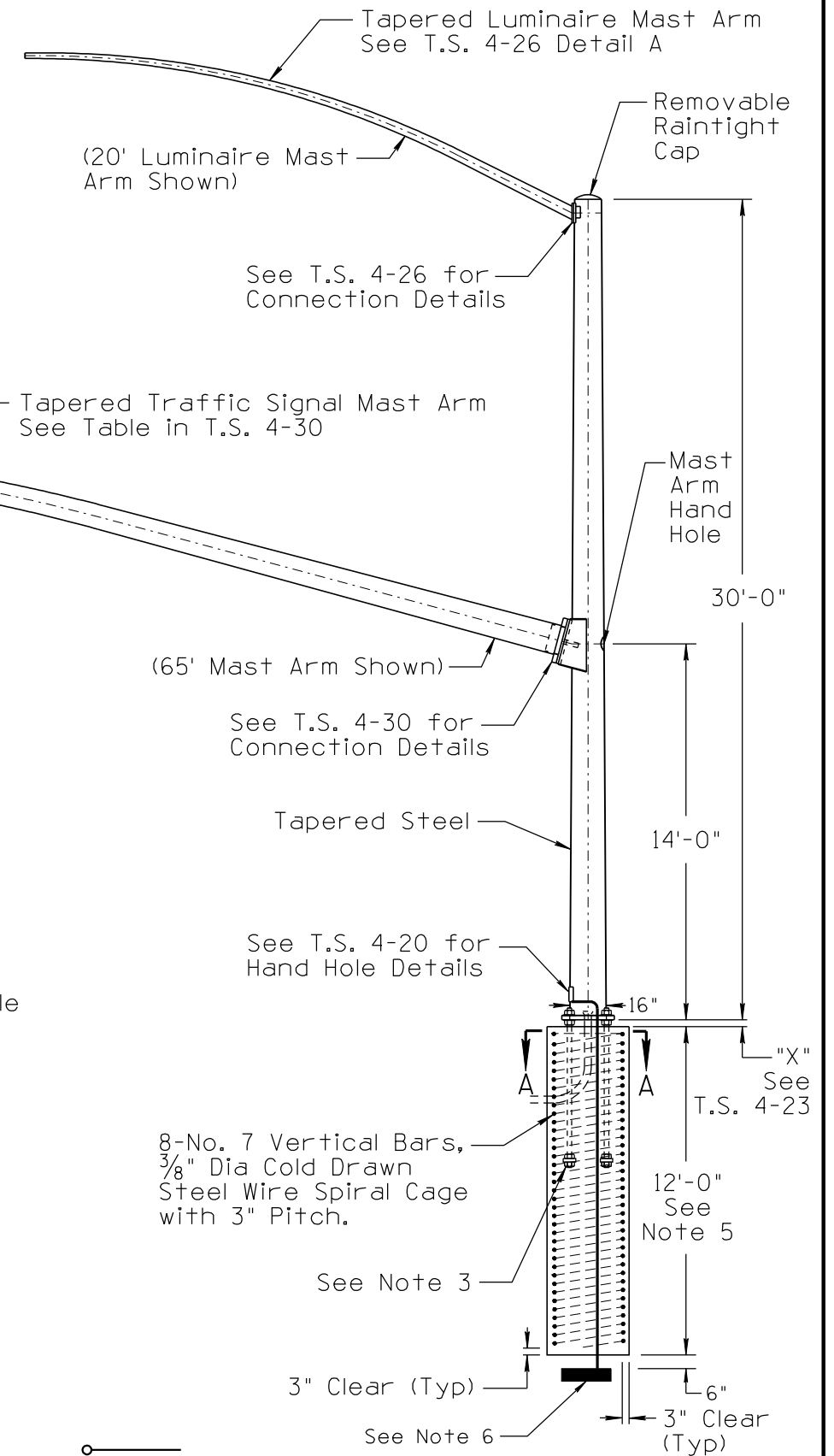
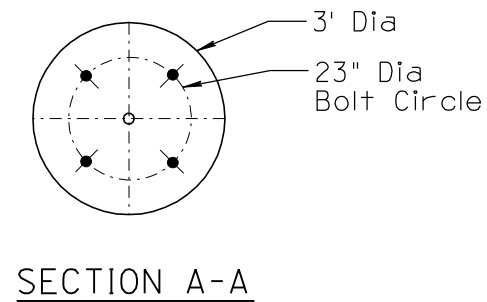
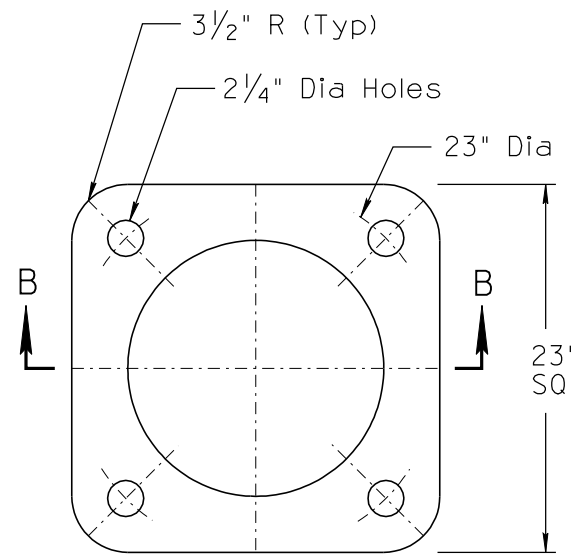
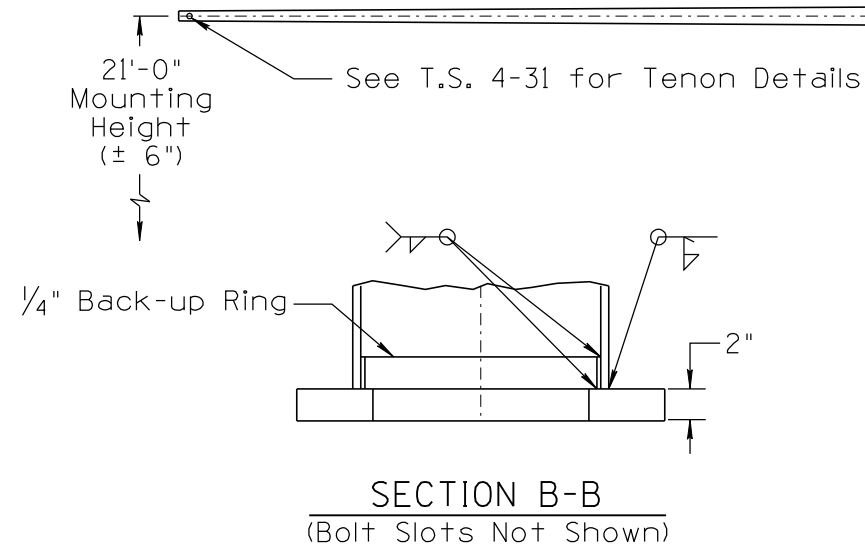


DATE	
MADE BY	
DESCRIPTION OF REVISIONS	
NO	3
DATE	03/10
MADE BY	C. COLE
DESCRIPTION OF REVISIONS	
NO	2
DATE	
MADE BY	
DESCRIPTION OF REVISIONS	
NO	1
DATE	
MADE BY	
DESCRIPTION OF REVISIONS	
NO	1
DATE	
MADE BY	

NOTES:

- All materials and construction shall conform to the requirements of the Specifications.
- Pole shall comply with 1994 AASHTO loading requirements for Structural Supports for Highway Signs, Luminaires and Traffic Signals.
- See T.S. 4-23 for anchor bolt details.
- The foundation hole shall be augered and Class "S" (3000 PSI) concrete, poured against undisturbed compacted earth.
- Unstable soil and/or steep slope may require deeper foundation. See Specifications.

- A 25' coil of #4 AWG bare copper conductor or a 14" square copper ground plate shall be installed before the concrete is poured and connected to pole grounding lug in the hand hole. The ground or coil shall be covered with 6" of fill.
- For inboard tenon, when specified, see tenon detail on T.S. 9-1.
- All pole shafts shall be continuous taper.
- All dimensions are nominal.
- Once the pole installation is completed the open space between the base plate and foundation shall be grouted.



PLAN SYMBOL

DESIGN APPROVED	ARIZONA DEPARTMENT OF TRANSPORTATION INTERMODAL TRANSPORTATION DIVISION TRAFFIC SIGNALS AND LIGHTING STANDARD DRAWINGS	REVISION 03/10
APPROVED FOR DISTRIBUTION	TYPE "W" POLE AND 60' OR 65' MAST ARM	DRAWING NO. T.S. 4-19
		SHEET NO. 1 OF 1

NOT TO SCALE