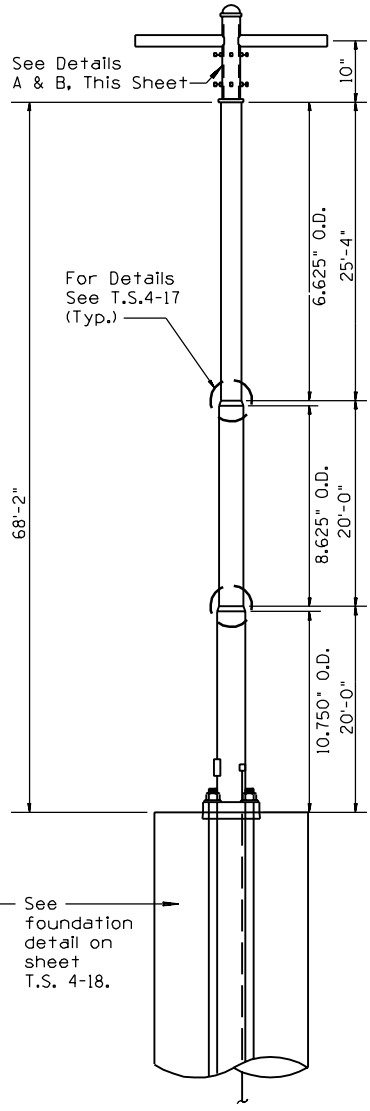
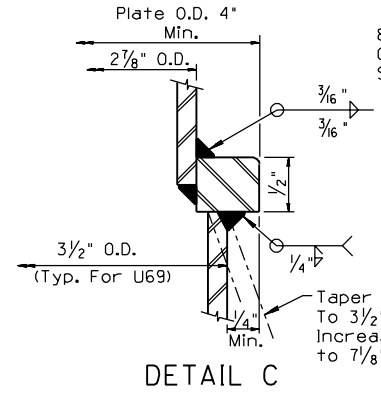


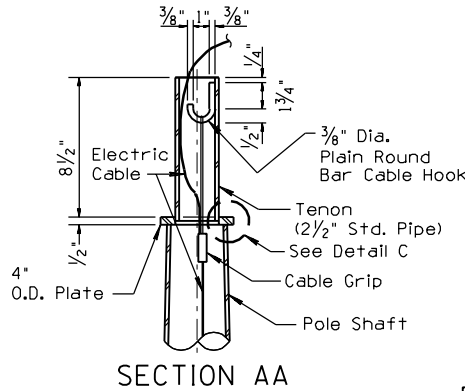
**POLE TYPE**  
U69  
Tapered



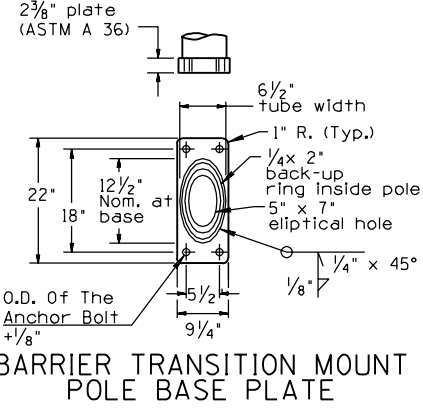
**POLE TYPE**  
U69  
Step-Tapered



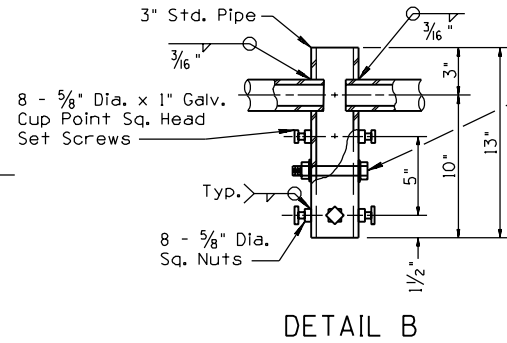
**DETAIL C**



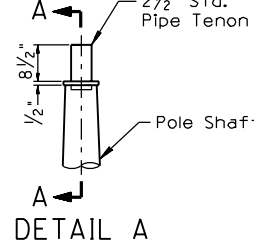
**SECTION AA**



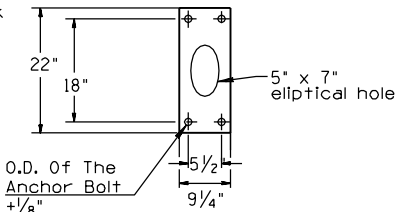
**BARRIER TRANSITION MOUNT POLE BASE PLATE**



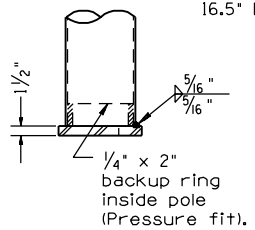
**DETAIL B**



**DETAIL A**

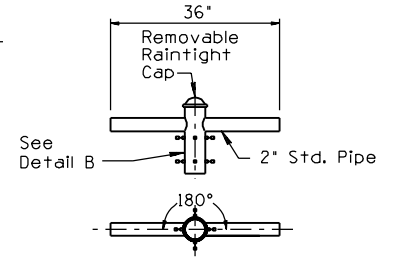


**BARRIER TRANSITION MOUNT ANCHOR PLATE DETAIL**



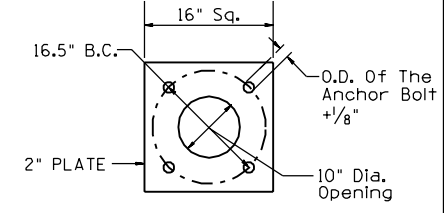
**SECTION DD**

3/8" Grade 8, cadmium plated through bolt, nut and washers. Field install after 100 hour burn in. The Engineer shall approve final aiming of luminaires prior to installation of through bolt.

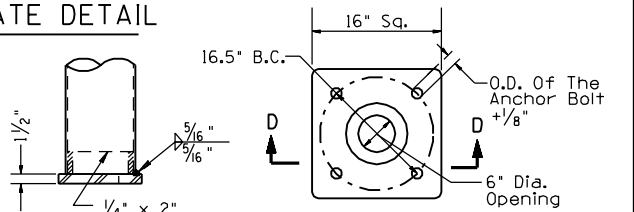


**TWIN LUMINAIRE BRACKET**

U POLE DETAILS  
For Notes And Foundation Details See T.S. 4-18.



**ANCHOR PLATE DETAIL GROUND MOUNT**



**BASE PLATE DETAIL GROUND MOUNT**

DESIGN APPROVED	<b>SIGNATURE</b>	ARIZONA DEPT. OF TRANSPORTATION	REV.
APPROVED FOR DISTRIBUTION		INTERMODAL TRANSPORTATION DIVISION	
	<b>ON FILE</b>	TRAFFIC SIGNALS & LIGHTING	
		STANDARD DRAWINGS	
		TYPE "U" POLE ROUND BASE	DRAWING NO.
			T.S. 4-17