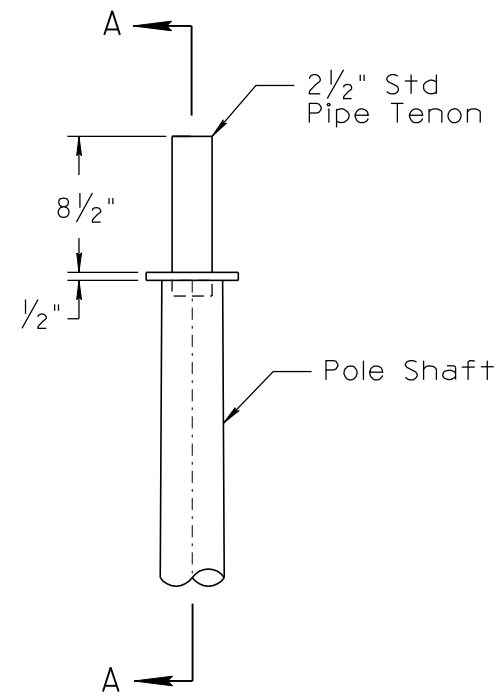
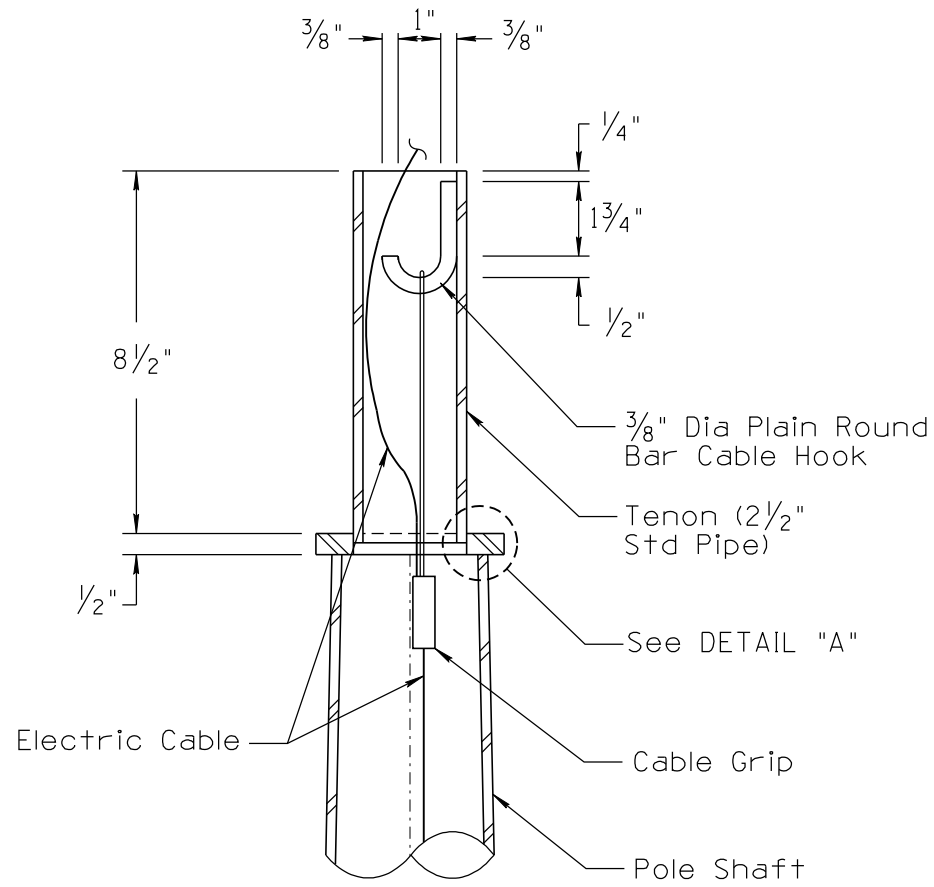


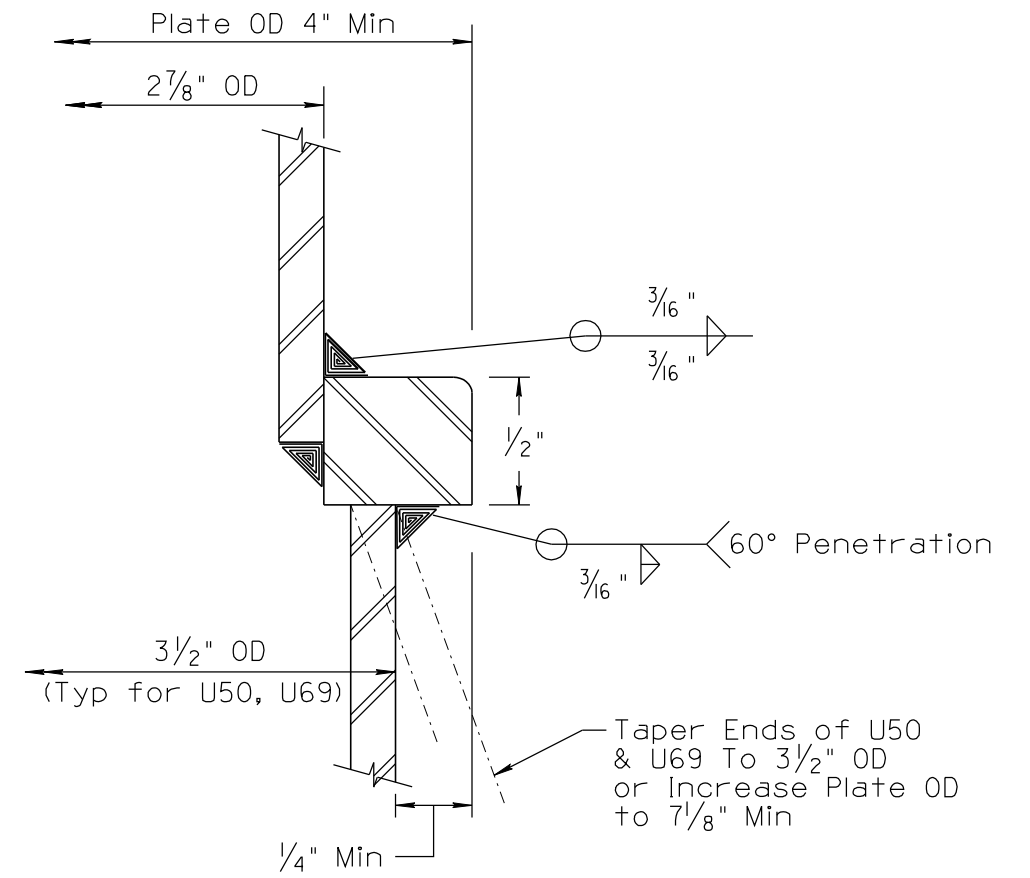
NO	DESCRIPTION OF REVISIONS	MADE BY	DATE
1	2010 EDITION	C. COLE	03/10
2			
3			
4			



PIPE TENON DETAIL



SECTION A-A



DETAIL "A"

NOT TO SCALE

DESIGN APPROVED	ARIZONA DEPARTMENT OF TRANSPORTATION INTERMODAL TRANSPORTATION DIVISION TRAFFIC SIGNALS AND LIGHTING STANDARD DRAWINGS	REVISION 03/10
APPROVED FOR DISTRIBUTION		DRAWING NO. T.S. 4-17
	TYPE "U" POLE ROUND POLE / SQUARE BASE	SHEET NO. 5 OF 6