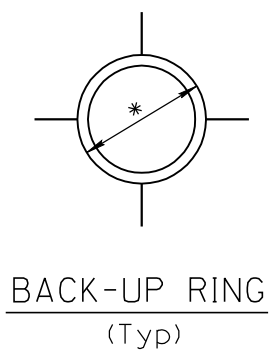
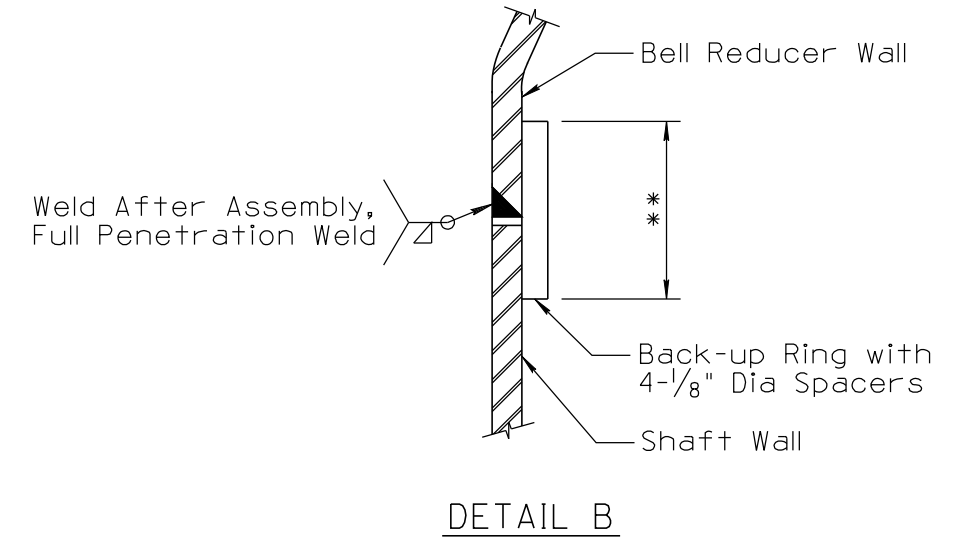
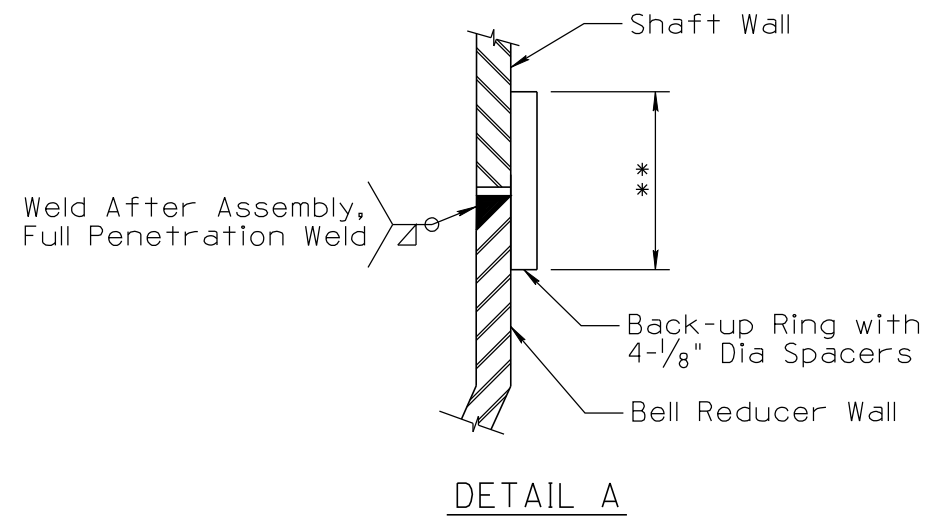
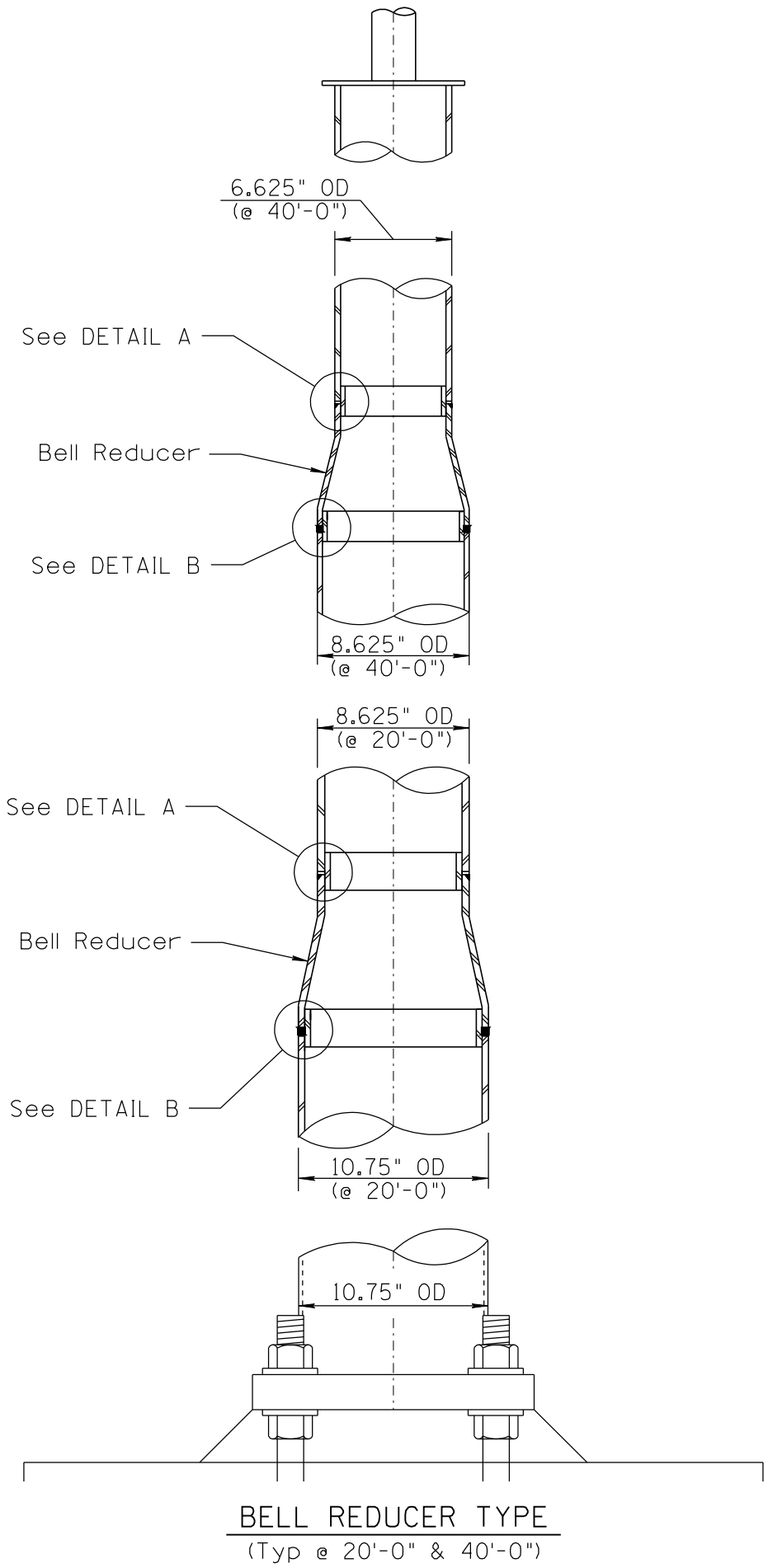


NO	DESCRIPTION OF REVISIONS	DATE	MADE BY
1	2010 EDITION	03/10	C. COLE
2			
3			
4			



- * Outside Diameter to Adjust to the Inside Diameter of Bell Reducer and the Pole Shaft.
- ** The spacers shall be at the mid height of the backup ring.

STEP-TAPERED POLE CONNECTION DETAILS
(Typical For All Type U Poles)

NOT TO SCALE

DESIGN APPROVED	ARIZONA DEPARTMENT OF TRANSPORTATION INTERMODAL TRANSPORTATION DIVISION TRAFFIC SIGNALS AND LIGHTING STANDARD DRAWINGS	REVISION 03/10
APPROVED FOR DISTRIBUTION		DRAWING NO. T.S. 4-17
TYPE "U" POLE ROUND POLE / SQUARE BASE		SHEET NO. 4 OF 6