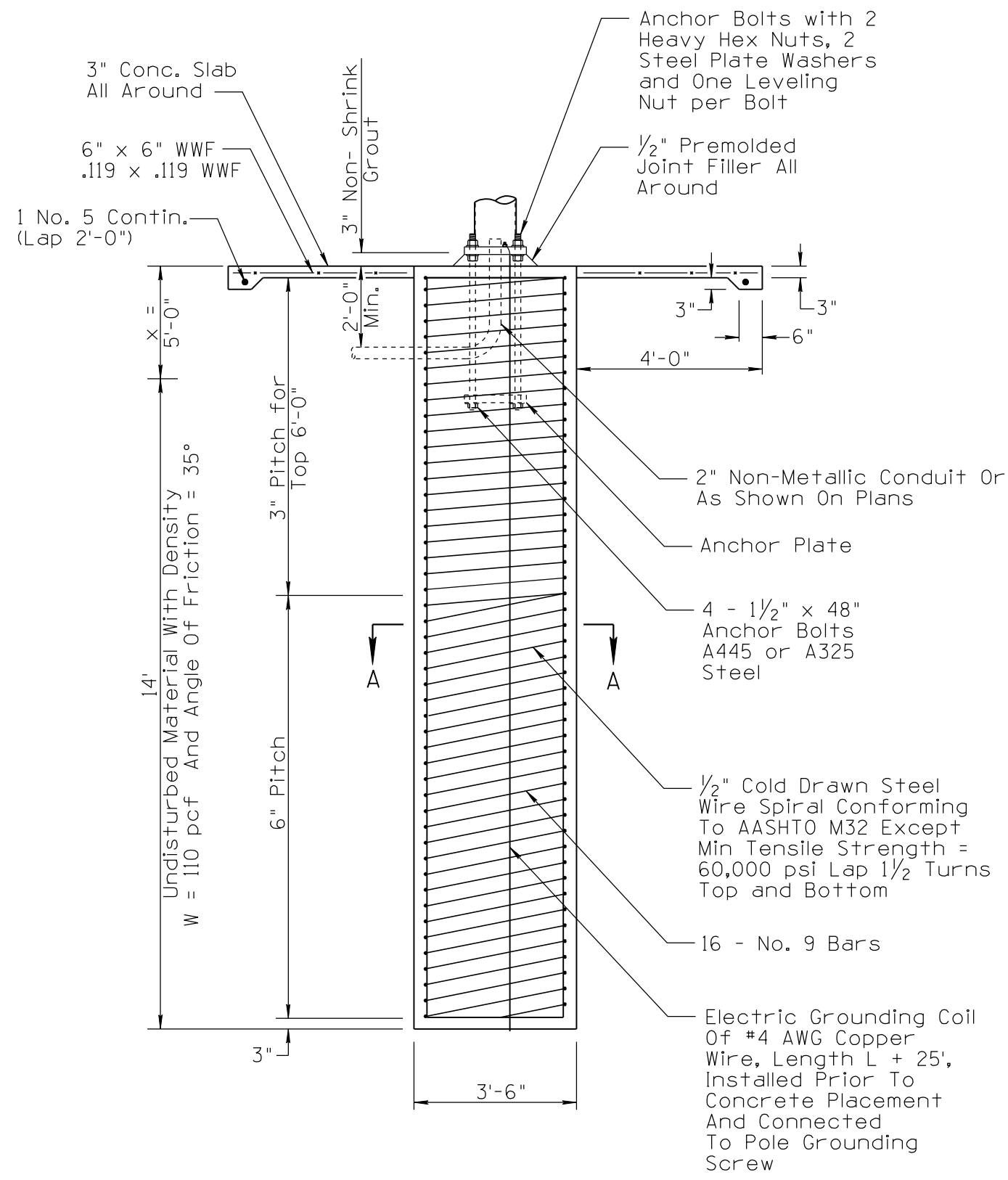
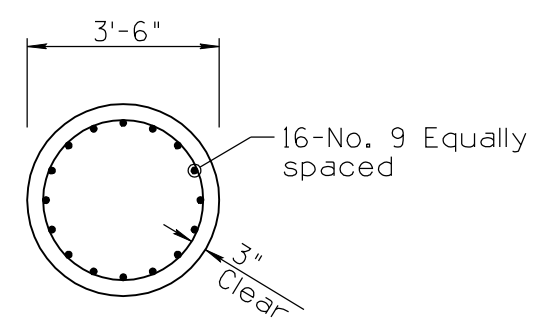


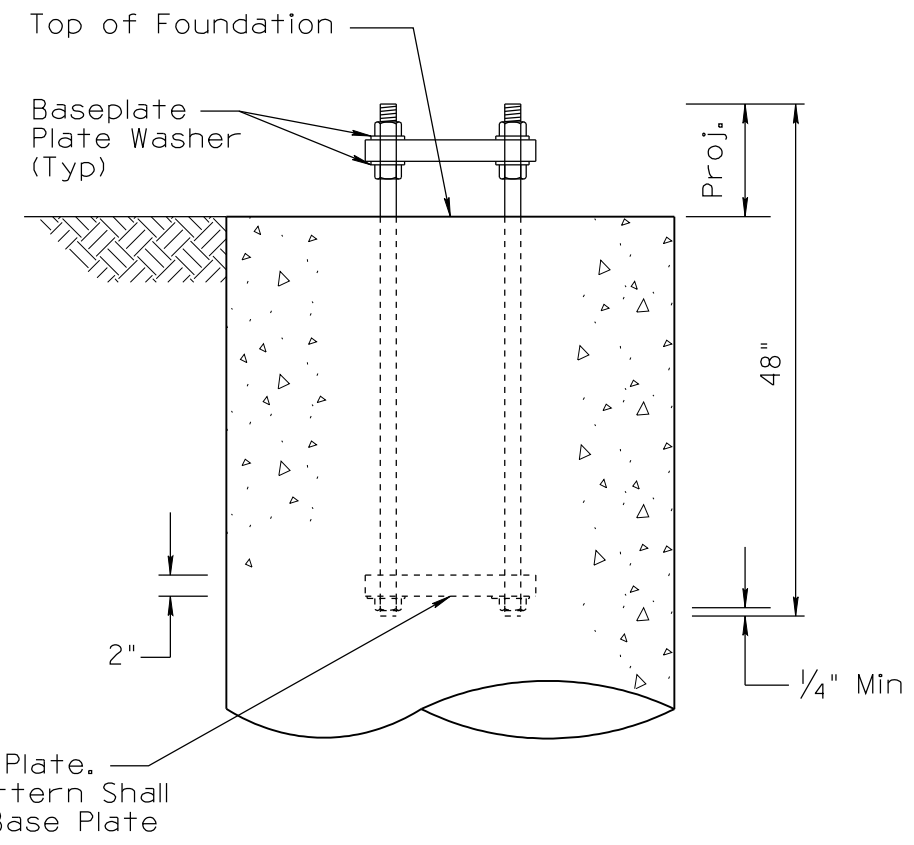
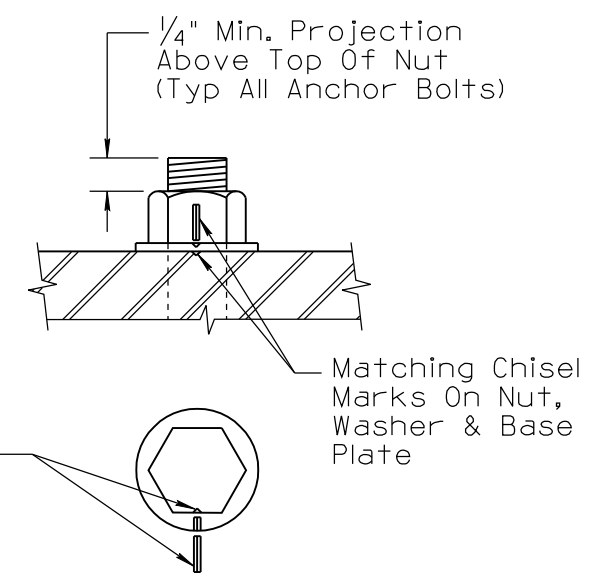
NO	DESCRIPTION OF REVISIONS	DATE	MADE BY
1	2010 EDITION	03/10	C. COLE
2			
3			
4			



FOUNDATION DETAIL



SECTION A-A



ANCHOR BOLT PLACEMENT

SEE NOTES ON SHEET 3

NOT TO SCALE

DESIGN APPROVED	ARIZONA DEPARTMENT OF TRANSPORTATION INTERMODAL TRANSPORTATION DIVISION TRAFFIC SIGNALS AND LIGHTING STANDARD DRAWINGS	REVISION 03/10
APPROVED FOR DISTRIBUTION		DRAWING NO. T.S. 4-17
	TYPE "U" POLE ROUND POLE / SQUARE BASE	SHEET NO. 2 OF 6