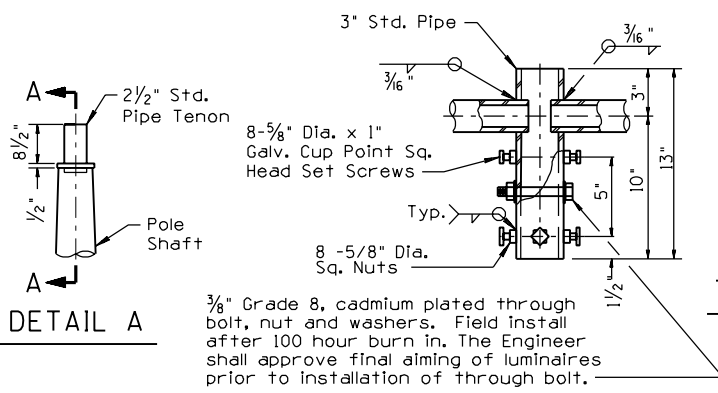
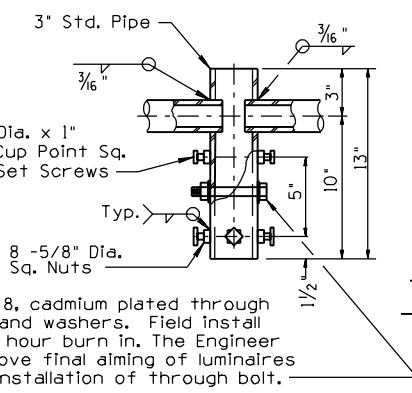


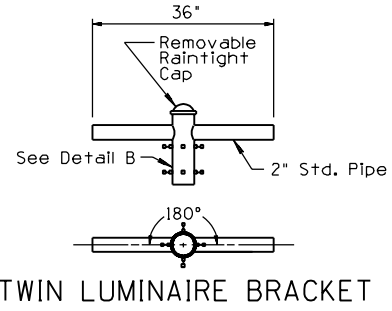
POLE TYPE "U"



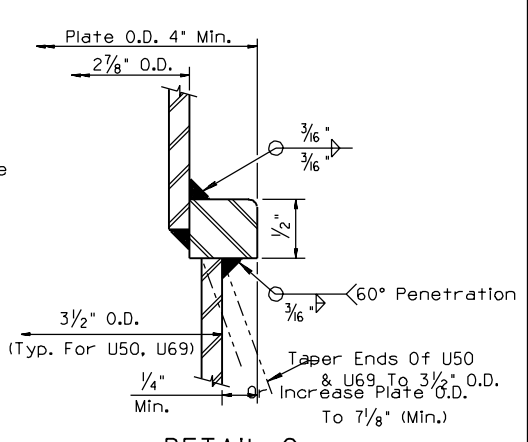
DETAIL A



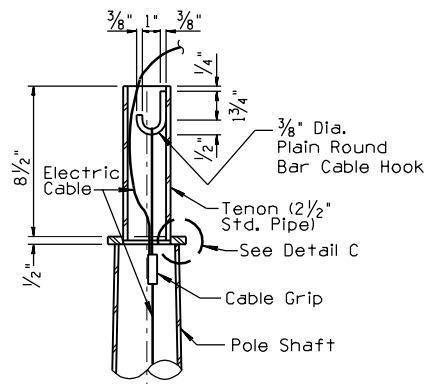
DETAIL B



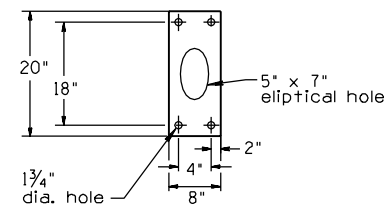
TWIN LUMINAIRE BRACKET



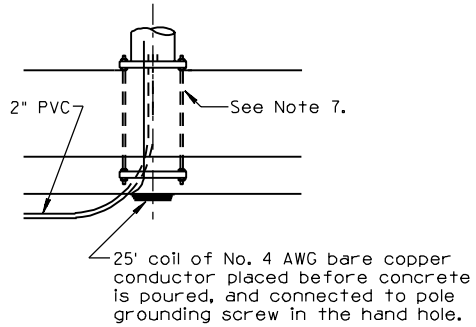
DETAIL C



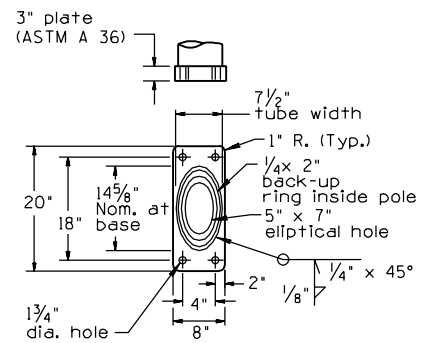
SECTION AA



BARRIER ANCHOR PLATE DETAIL ELLIPTICAL



POLE ANCHORAGE DETAILS



BARRIER POLE BASE ELLIPTICAL

NOTES:

1. The pole shall be fully galvanized in accordance with ASTM A 123.
2. The pole shaft shall be fabricated from sheet steel which meets or exceeds ASTM 572 GR.42 55,000 psi minimum strength requirements.
3. A key and slot arrangement or some other acceptable device shall be provided to insure that the mast arms are located 90° from the longitudinal axis of the pole base plate as the two pole sections are assembled.
4. Conductors hanging within the pole shall be supported from the top of the pole by an approved cable hanger.
5. Anchor bolts shall be fabricated from steel which meets or exceeds ASTM A445 or A325 minimum strength requirements. The anchor bolts, washers, and nuts shall be fully galvanized.
6. The area between the bottom of the pole base plate and the median barrier shall be filled with a non-shrink grout material.
7. See Structures sheets for approved foundation designs and details.
8. The contractor shall submit sealed drawings with material submittals for ADOT Structures approval.
9. See Special Provisions for additional requirements.

DESIGN APPROVED	SIGNATURE	ARIZONA DEPT. OF TRANSPORTATION	REV.
APPROVED FOR DISTRIBUTION		INTERMODAL TRANSPORTATION DIVISION	
	ON FILE	TRAFFIC SIGNALS & LIGHTING	
		STANDARD DRAWINGS	
		TYPE "U" POLE	DRAWING NO.
		ELLIPTICAL BASE DETAILS	T.S. 4-16