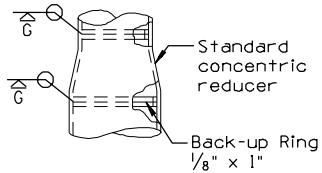
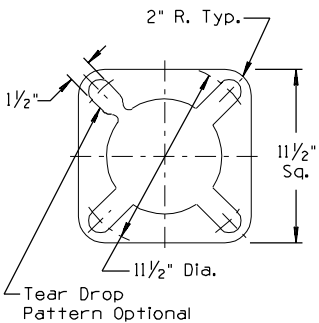


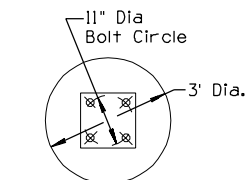
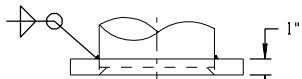
**DETAIL "A"**  
**POLE TOP DETAIL**



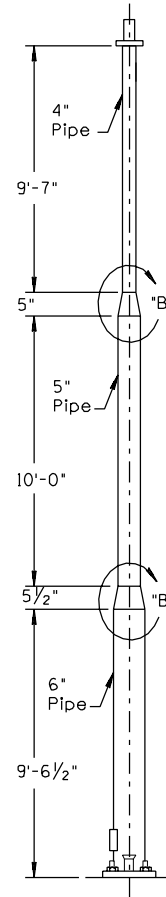
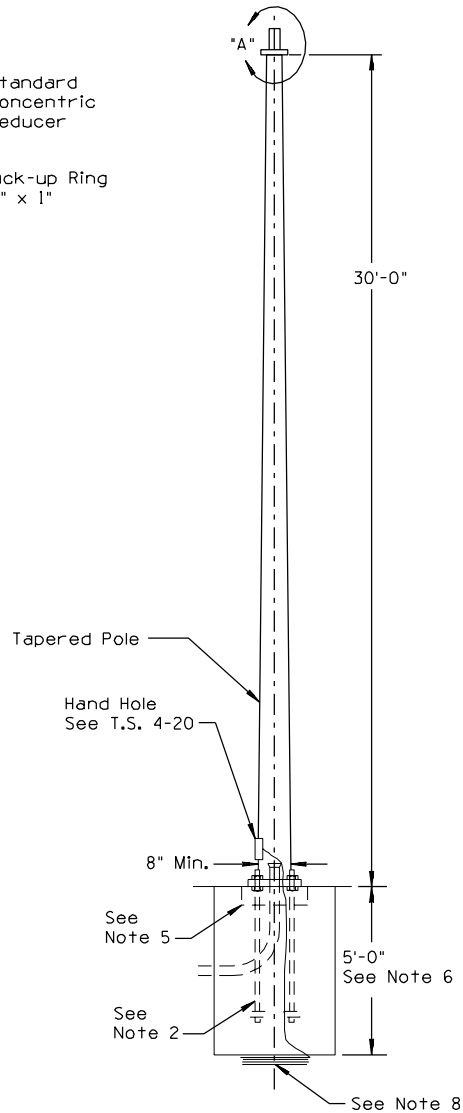
**DETAIL "B"**



**POLE BASE**



**FOUNDATION PLAN**



**PLAN SYMBOL**

**NOTES:**

1. All materials and construction shall conform to the requirements of the Specifications.
2. See T.S. 4-23 detail "B" for anchor bolt details. Each anchor bolt shall have four hex nuts and two flat washers, all to be furnished with pole.
3. Anchor bolts shall project 3" above the foundation.
4. Conduit shall project a minimum of 2" above the foundation. Maximum projection shall be 4".
5. Block out for leveling nuts. See specs. for grout requirements.
6. Unstable soil may required deeper foundation. See Specifications.
7. Pole shall be installed with hand hole on roadway side.
8. A 25' coil of No. 4 AWG bare copper conductor shall be installed before the concrete is poured and connected to pole grounding screw in the hand hole.
9. The foundation hole shall be augered and class "S" (3000 psi) concrete poured against undisturbed compacted earth.
10. Pole shall comply with 1994 AASHTO loading requirements for Structural Supports for Highway Signs, Luminaires and Traffic Signals.
11. All dimensions are nominal.

DESIGN APPROVED	<b>SIGNATURE</b>	ARIZONA DEPT. OF TRANSPORTATION INTERMODAL TRANSPORTATION DIVISION TRAFFIC SIGNALS & LIGHTING STANDARD DRAWINGS	REV.
APPROVED FOR DISTRIBUTION	<b>ON FILE</b>	TYPE "S" POLE	DRAWING NO. T.S. 4-12