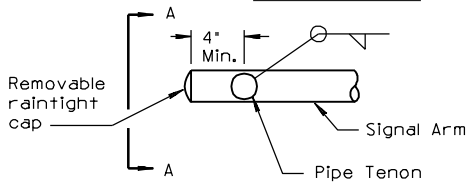
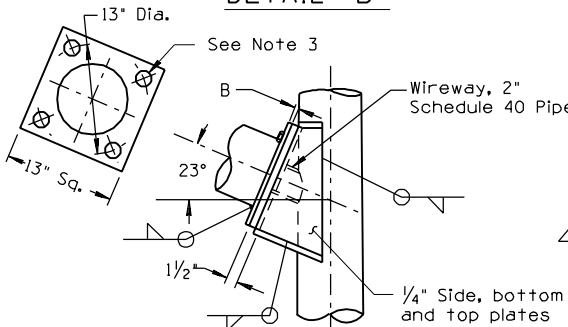


DETAIL "A"

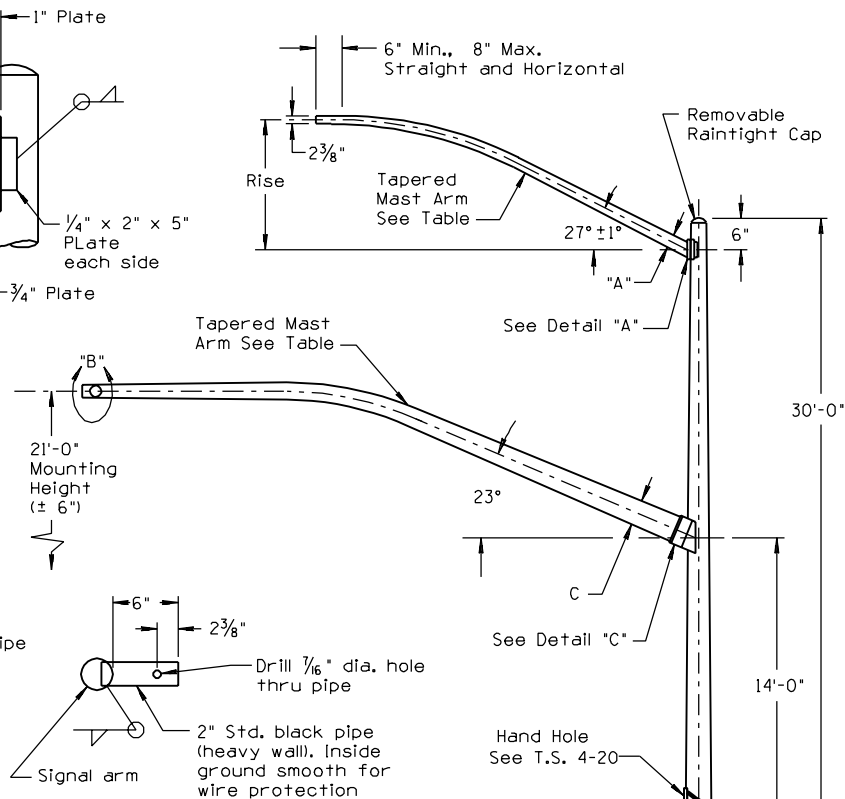


DETAIL "B"

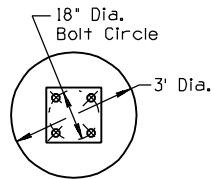


DETAIL "C"

MAST ARM INFORMATION					
	Nom. M.A. Length	Lum. M.A. Rise	"A" Min.	B	C Min.
LUMINAIRE	6'	2'-0"	3 3/8"	---	---
	8'	2'-6"	3 5/8"	---	---
	10'	3'-4"	3 3/4"	---	---
	12'	4'-3"	4 1/8"	---	---
	15'	4'-9"	4 3/4"	---	---
	18'	5'-9"	5 1/8"	---	---
SIGNAL	20'	5'-9"	5 1/4"	---	---
	25'	---	---	1"	7"
	30'	---	---	1"	8"
	35'	---	---	1 1/4"	8 1/8"
	40'	---	---	1 1/4"	9 3/8"



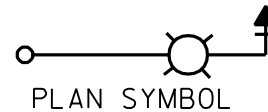
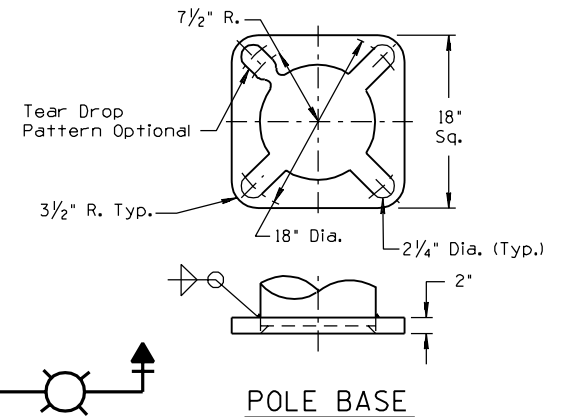
SECTION A-A



FOUNDATION PLAN

NOTES:

- All materials and construction shall conform to the requirements of the Specifications.
- Pole shall comply with 1994 AASHTO loading requirements for Structural Supports for Highway Signs, Luminaires and Traffic Signals.
- Signal mast arms require four 1 1/4" - 7 high strength bolts ASTM A-325.
- See T.S. 4-23 detail "B" for anchor bolt details. Each anchor bolt shall have four hex nuts and two flat washers, all to be furnished with pole.
- Anchor bolts shall project 4 1/2" above the foundation.
- Conduit shall project a minimum of 3" above the foundation. Maximum projection shall be 5".
- Block out for leveling nuts. See specs. for grout requirements.
- The foundation hole shall be augered and class "S" (3000 psi) concrete poured against undisturbed compacted earth.
- Unstable soil may require deeper foundation. See Specifications.
- A 25' coil of No. 4 AWG bare copper conductor shall be installed before the concrete is poured and connected to pole grounding screw in the hand hole.
- For inboard tenon, when specified, see tenon detail on T.S.9-1.
- All dimensions are nominal.



PLAN SYMBOL

DESIGN APPROVED	<b>SIGNATURE</b>	ARIZONA DEPT. OF TRANSPORTATION	REV.
APPROVED FOR DISTRIBUTION		INTERMODAL TRANSPORTATION DIVISION	
	<b>ON FILE</b>	TRAFFIC SIGNALS & LIGHTING	
		STANDARD DRAWINGS	
		TYPE "Q" POLE AND MAST ARMS	DRAWING NO. T.S. 4-10