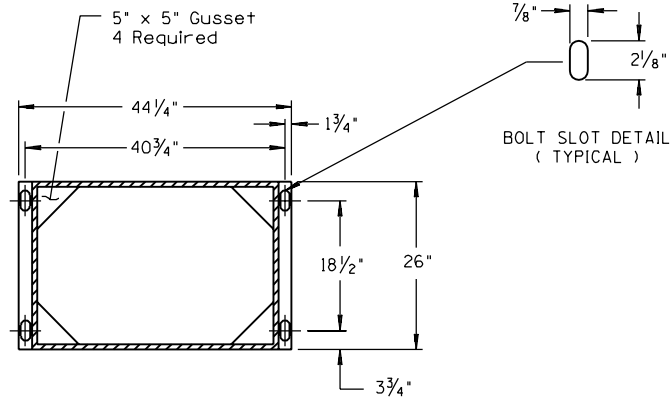
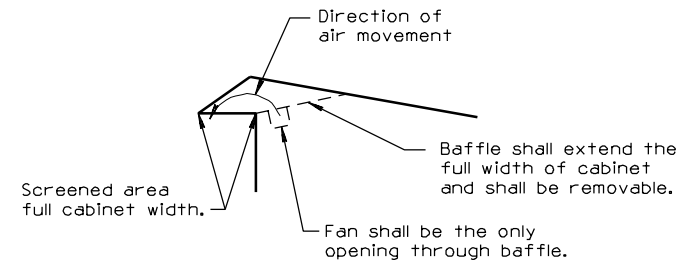
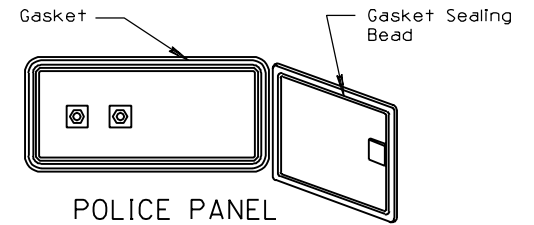
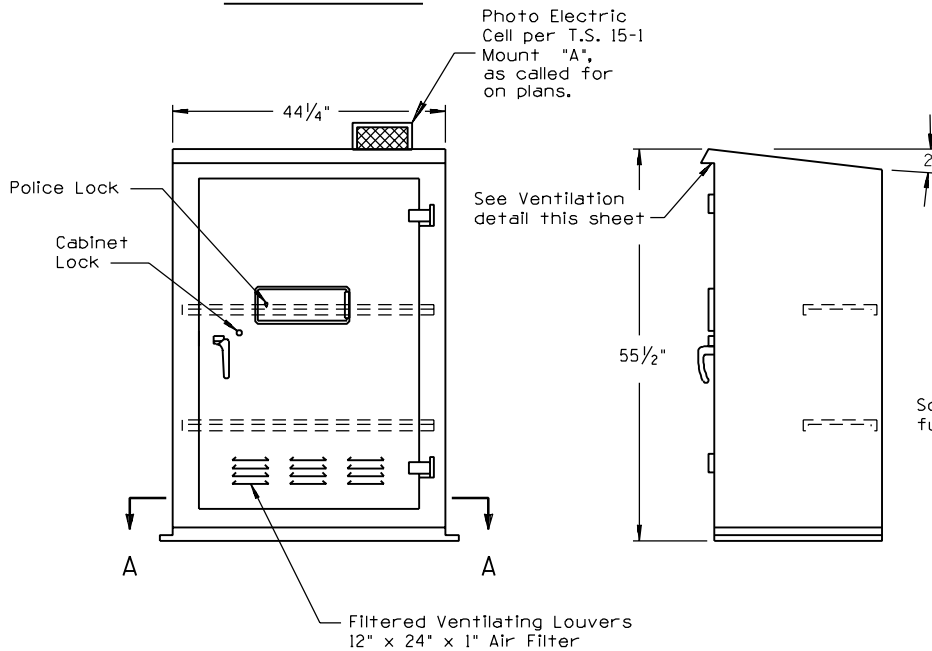
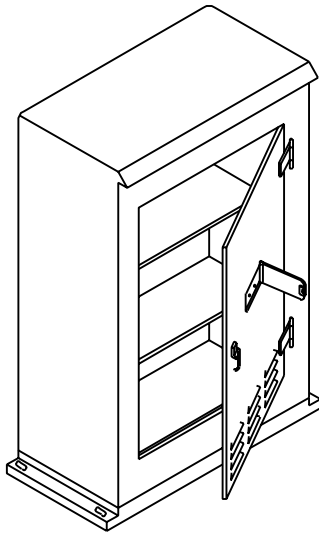


PLAN VIEW SHOWING
2 POSITION DOOR STOP



SECTION A-A



NOTE:
All exhaust vents shall have screens.

SCREENED VENTILATION DETAIL



PLAN SYMBOL

DESIGN APPROVED	SIGNATURE	ARIZONA DEPT. OF TRANSPORTATION	REV.
APPROVED FOR DISTRIBUTION		INTERMODAL TRANSPORTATION DIVISION	
	ON FILE	TRAFFIC SIGNALS & LIGHTING	
		STANDARD DRAWINGS	
		TYPE IV CONTROL CABINET	DRAWING NO. T.S. 3-9