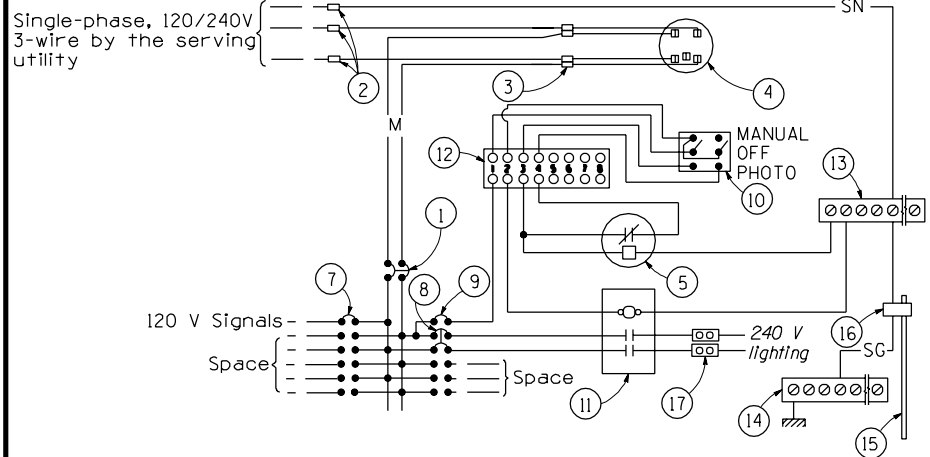


120/240 V METER PEDESTAL WIRING DIAGRAM (TYPICAL) WITHOUT PHOTO ELECTRIC CELL



120/240 V METER PEDESTAL WIRING DIAGRAM (TYPICAL) WITH PHOTO ELECTRIC CELL AND LIGHTING

LEGEND

- |                    |                       |
|--------------------|-----------------------|
| P Pole             | External conductor    |
| CB Circuit breaker | Conductor or bus      |
| A Ampere           | Tie point             |
| V Volt             | Contactor coil        |
| M Metered          | Contactor, Contact NO |
| SN Solid neutral   | Contactor, Contact NC |
| SG Solid Ground    | Enclosure bond        |
| NO Normally open   |                       |
| NC Normally closed |                       |

METER PEDESTAL EQUIPMENT LEGEND

ITEM NO.	COMPONENT	NAME PLATE DESCRIPTION
1	100 A, 240 V, 2P, CB	Main Breaker
2	Utility Landing lug	
3	Test bypass blocks	
4	Meter socket and support	
5	Photo Electric Cell	
6	Reserved	
7	30 A, 120 V, 1P, CB	Signals
8	20 A, 240 V, 2P, CB	Lighting
9	15 A, 120 V, 1P, CB	Lighting Control
10	Switch	Lighting Control Switch (Manual, Off, Photo)
11	30 A, 2P, NO Contactor	
12	Terminal Block	
13	Neutral Bus	
14	Ground Bus	
15	Ground Rod	
16	Ground Rod Clamp	
17	Lighting Landing Lugs	

DESIGN APPROVED	<b>SIGNATURE</b>		ARIZONA DEPT. OF TRANSPORTATION INTERMODAL TRANSPORTATION DIVISION TRAFFIC SIGNALS & LIGHTING STANDARD DRAWINGS	REV. 4/05
	<b>ON FILE</b>			DRAWING NO. T.S. 3-19