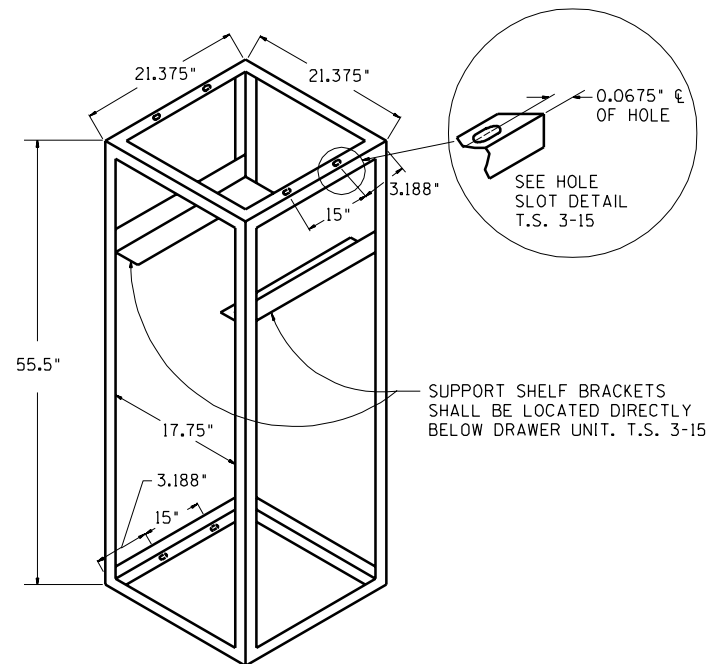
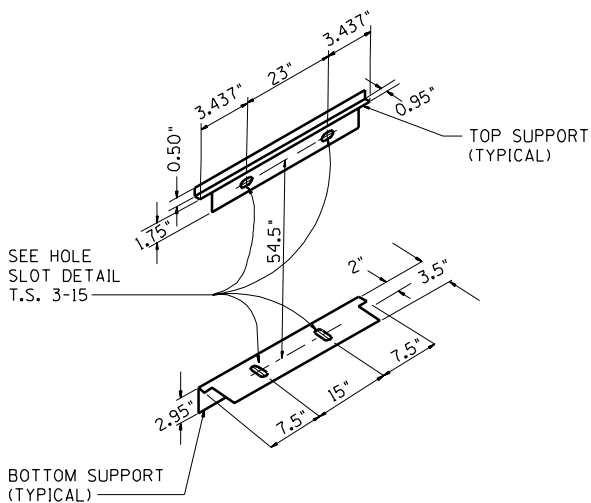


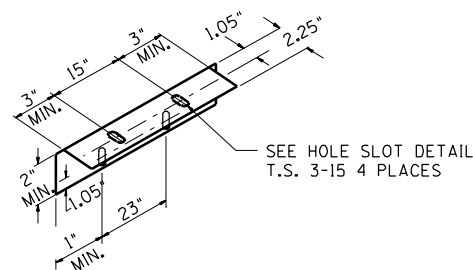
CABINET TOP DETAIL



CAGE ASSEMBLY DETAIL



CABINET CAGE SUPPORT DETAIL



CAGE SPACER BRACKET DETAIL

NOTES:

1. The bottom cabinet cage supports shall be continuously welded along the sides of the cabinet and extended to the inside corner of door openings. The top cabinet cage supports shall be continuously welded along the sides of the cabinet.
2. Cage support hole slot dimensions shall be common for top and bottom.
3. These details are also applicable to the Model 345 cabinet.

DESIGN APPROVED	SIGNATURE	ARIZONA DEPT. OF TRANSPORTATION INTERMODAL TRANSPORTATION DIVISION TRAFFIC SIGNALS & LIGHTING STANDARD DRAWINGS	REV.
APPROVED FOR DISTRIBUTION	ON FILE	TRAFFIC SIGNALS & LIGHTING MODEL 345 CABINET CAGE DETAILS	DRAWING NO. T.S. 3-16