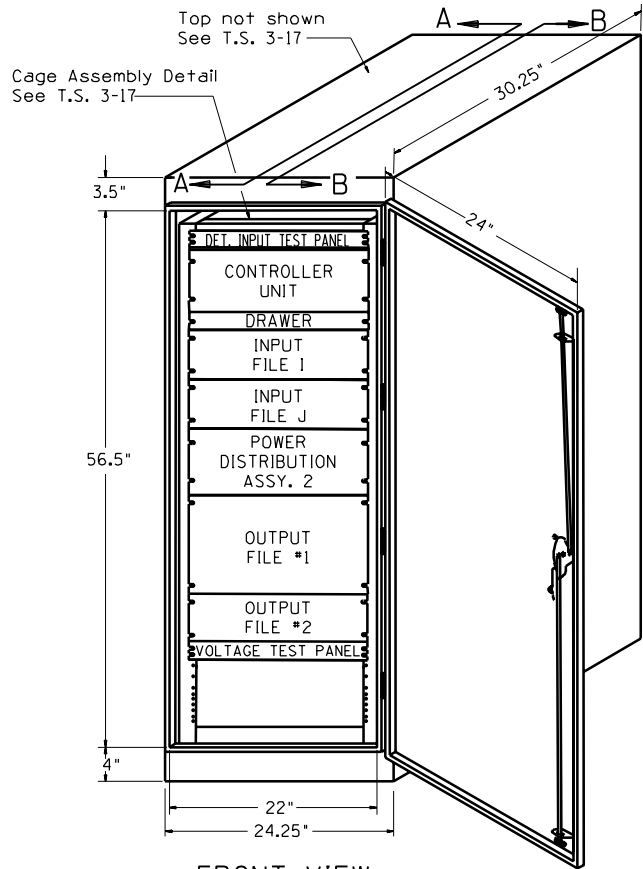


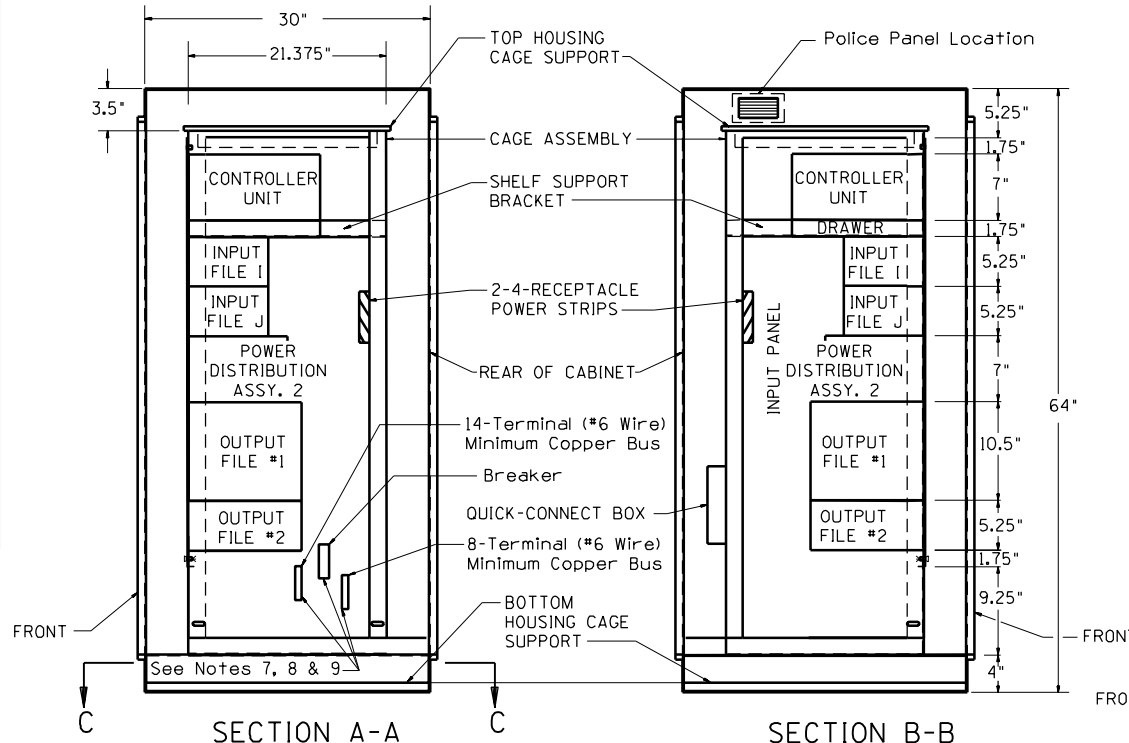
MODEL 345 CABINET DETAILS



FRONT VIEW SCHEMATIC LAYOUT

NOTES:

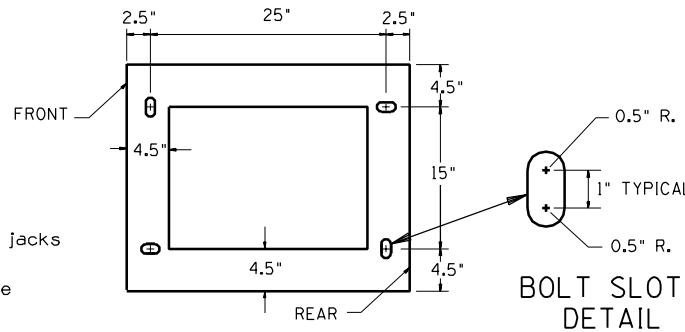
1. Except where otherwise noted, all dimensions shall have a ± 0.0625 inch tolerance.
2. Ventilation louvers with filter/shell assembly shall be provided on rear door of cabinet.
3. The top phone jack of each pair shall be connected to the primary phone pair at the quick-connect block. The other jacks shall be connected to the secondary pair.
4. Cage assembly, cabinet top and cage support details are the same as those for the Model 341A and 341B cabinets.
5. Hinges for the rear cabinet door shall be located on the left side when facing the rear of the cabinet.
6. See plan sheets for seven digit cabinet identification code. Numbers shall be placed in such a manner that the entire seven digit cabinet identification code is centered horizontally in the cabinet's back door and on the side of the cabinet facing traffic.



SECTION A-A

SECTION B-B

CABINET ORIENTATION PLAN SYMBOL



SECTION C-C

NOTES (Cont.):

7. Terminal block, neutral bus breaker mountings shall be via bolts which screw into tapped holes. Bolts shall not protrude beyond back of panel.
8. All AC neutral circuits in cabinet shall be connected to the cabinet ground rod via a single bare AWG #8 soft-drawn solid copper wire from one of the neutral buses.
9. Breaker shall be a 30 Amp, single pole (Square D Q0U130 or equivalent).

DESIGN APPROVED	SIGNATURE	ARIZONA DEPT. OF TRANSPORTATION	REV.
APPROVED FOR DISTRIBUTION		INTERMODAL TRANSPORTATION DIVISION	
	ON FILE	TRAFFIC SIGNALS & LIGHTING	DRAWING NO.
		MODEL 345	T.S. 3-15
		CABINET DETAILS	