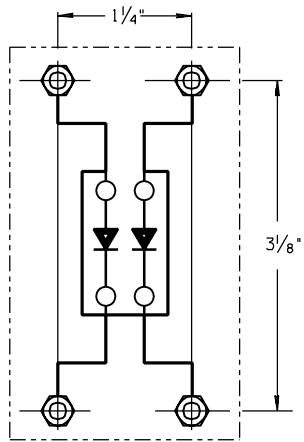
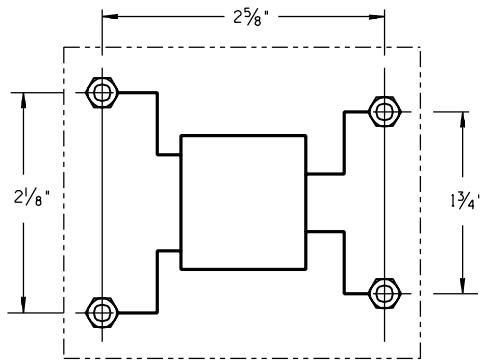


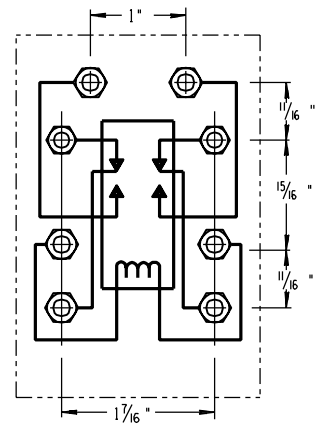
DIMMING DIODES



FLASHER



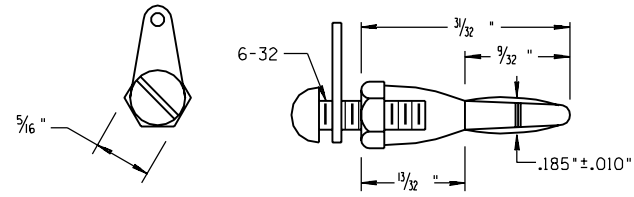
GENERAL PURPOSE RELAY



NOTES:

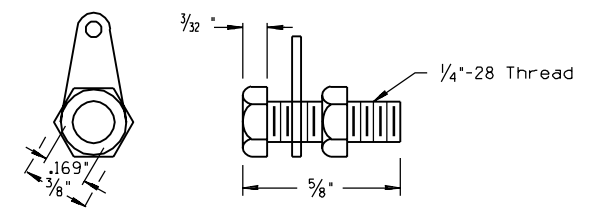
1. 5/16" x 1" brass stand off with 10-32 thread (3/8" long each end) and 2 nuts, or 10-32 machine screw and nut with 1" spacer.
2. Pan shall be 14 gauge metal.
3. Board shall be 3/16" thick black paper case phenolic base.
4. 1/4" machine screw with lock washer.
5. Fasten securely with solder or weld.
6. All wire to lug connections shall be solderless.

BANANA PLUG

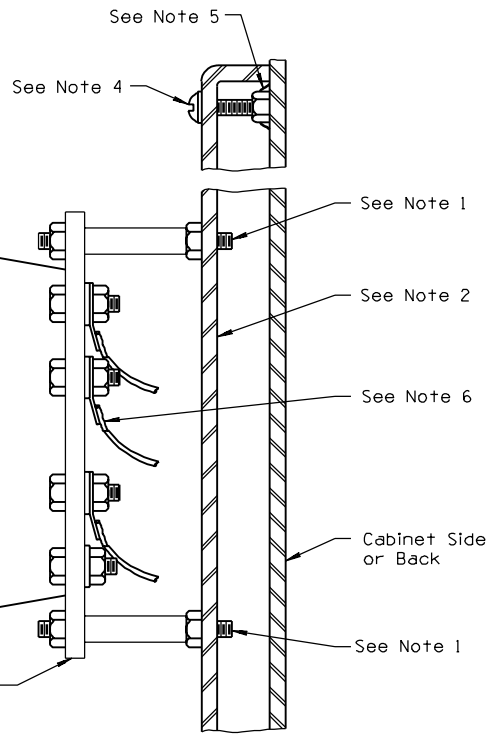


Body shall be hexed nickel plated brass with one piece four leaved spring. Complete with nickel plated brass screw and tinned copper lug. Rated at 15 Amps. (Min.).

BANANA JACK



Jack and nut shall be nickel plated brass complete with tinned copper lug. Rated at 15 Amps. (Min.).



Female Mount Jack Sub-base See Note 3

INSTALLATION DETAIL
(TYPICAL)

DESIGN APPROVED	SIGNATURE	ARIZONA DEPT. OF TRANSPORTATION INTERMODAL TRANSPORTATION DIVISION TRAFFIC SIGNALS & LIGHTING STANDARD DRAWINGS	REV.
APPROVED FOR DISTRIBUTION		ON FILE	DRAWING NO. T.S. 3-12
		JACK MOUNTED COMPONENTS	