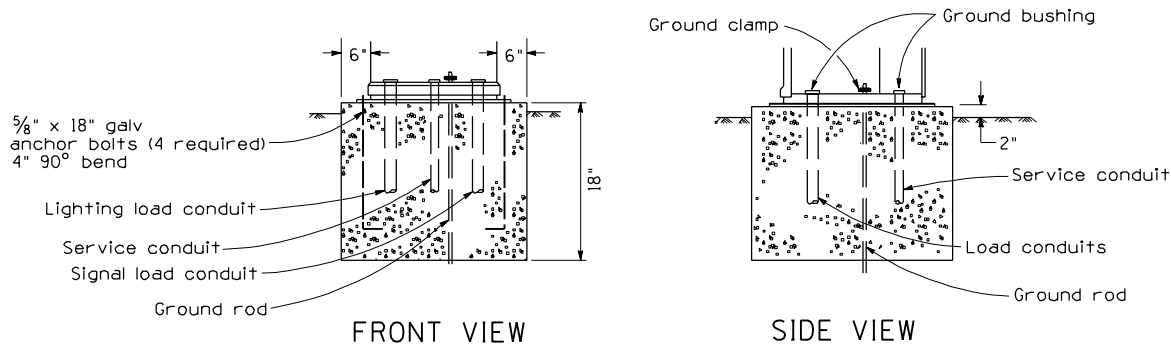


METER PEDESTAL CABINET BASE DETAIL



METER PEDESTAL CABINET FOUNDATION DETAIL

**NOTES:**

1. All materials and construction shall conform to the requirements of the Specifications.
2. Unstable soil may require deeper foundations. See Specifications.
3. For conduit size, location and quantity, see plans.
4. Line side conduit shall be per utility company requirements.
5. All cabinet foundations shall have a 5/8" x 10' bonded copper ground rod with clamp per utility company requirements.
6. 1" sleeve (for ground rod) shall be inserted when foundation is poured per utility company requirements.
7. Contractor shall verify dimensions with approved shop drawings.

DESIGN APPROVED	<b>SIGNATURE</b>	ARIZONA DEPT. OF TRANSPORTATION INTERMODAL TRANSPORTATION DIVISION TRAFFIC SIGNALS & LIGHTING STANDARD DRAWINGS	REV.
APPROVED FOR DISTRIBUTION		<b>ON FILE</b>	METER PEDESTAL CABINET FOUNDATION AND BASE
		DRAWING NO. T.S. 2-6	