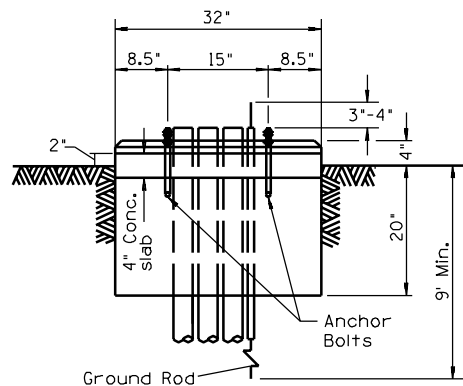
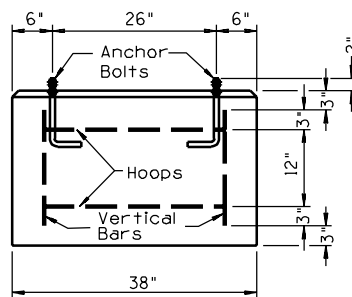


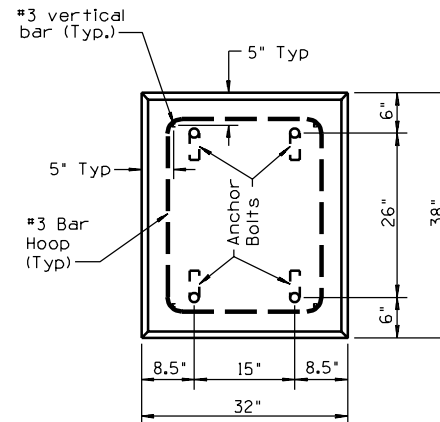
CONTROLLER CABINET FOUNDATION
NO TRANSFORMER
TOP VIEW



CONTROLLER CABINET FOUNDATION
FRONT VIEW



CONTROLLER CABINET FOUNDATION
REINFORCING & ANCHOR BOLTS
SIDE VIEW



CONTROLLER CABINET FOUNDATION
REINFORCING & ANCHOR BOLTS
TOP VIEW

NOTES:

1. Foundations shall be Class S ($f'c=3000$ PSI) concrete.
2. All conduits shown shall be furnished and installed in foundation. See individual plan sheets for stub-out direction.
3. Foundations shall include a $\frac{3}{8}$ " Ground Rod which shall be driven vertically into the earth to a minimum of 9' below the surface.
4. All reinforcing bars and hoops shall be $\frac{3}{8}$ " diameter reinforcing steel. Hoops shall be welded to vertical bars.
5. The contractor shall note that the conduit layout dimensions are extremely critical and shall be adhered to due to cabinet placement.
6. Anchor bolts shall be galvanized steel, $\frac{3}{4}$ " x 11" x 5", complete with nuts and washers.
7. Anchor bolts shall project a minimum of 2" and a maximum of $2\frac{1}{2}$ " above foundation.
8. The contractor shall note that the anchor bolt layout dimensions are extremely critical and shall be adhered to due to cabinet footprint over sump lockout.
9. Conduits shall project 2" above bottom of sump. Conduits shall be capped.

DESIGN APPROVED	SIGNATURE	ARIZONA DEPT. OF TRANSPORTATION INTERMODAL TRANSPORTATION DIVISION TRAFFIC SIGNALS & LIGHTING STANDARD DRAWINGS	REV.
APPROVED FOR DISTRIBUTION		ON FILE	DRAWING NO. T.S. 2-5