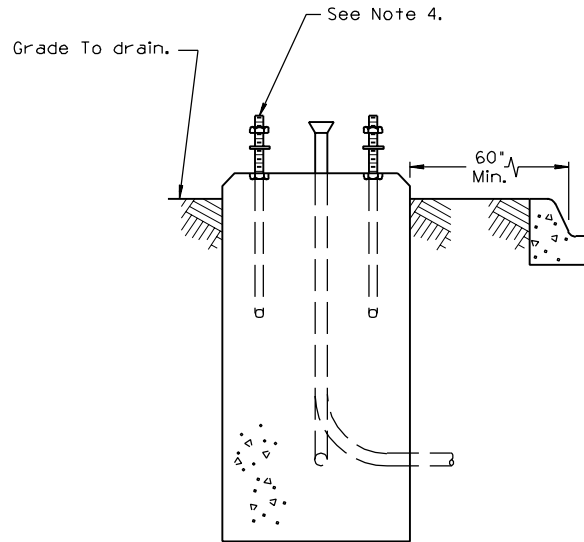
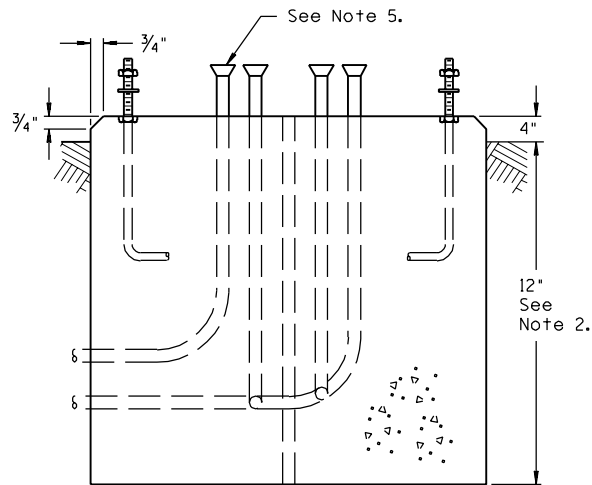


FOUNDATION PLAN



NOTES:

1. All materials and construction shall conform to the requirements of the Specifications.
2. Unstable soil may require deeper foundations. See Specifications.
3. For conduit size, location, and quantity, see plans.
4. Anchor bolts shall be galvanized 1/2" x 12" x 4" and shall be furnished with the cabinet. Anchor bolts shall project a min. 1 1/2" and a max. 2" above foundation.
5. Conduit shall project a minimum of 2" and a maximum of 4" above the foundation, except for conduit for ground rod, which shall be flush with surface.
6. In unpaved areas a raised PCC pad 36" x 4" x width of foundation, shall be placed in front of the cabinet. Pad shall be set 2" below the foundation elevation. Slope pad away from cabinet. See pad detail on T.S.2-1
7. Install 2-2" conduits for future use stubbed and capped 24" past the edge of the foundation as directed by the engineer.
8. 1" sleeve for ground rod shall be inserted when foundation is poured. Install a 5/8" x 10' bonded copper ground rod with clamp.
9. 4" sleeves for service conduits if EUSERC Meter Socket or EUSERC utility pull section and/or Service Disconnect enclosure are required.
10. Use an approved Silicon Sealer RTV Type Grey in color or Clear, between cabinet and foundation.

DESIGN APPROVED	SIGNATURE	ARIZONA DEPT. OF TRANSPORTATION INTERMODAL TRANSPORTATION DIVISION TRAFFIC SIGNALS & LIGHTING STANDARD DRAWINGS	REV.
APPROVED FOR DISTRIBUTION		FOUNDATION FOR TYPE IV LOAD CENTER CABINET	DRAWING NO. T.S. 2-2
ON FILE			