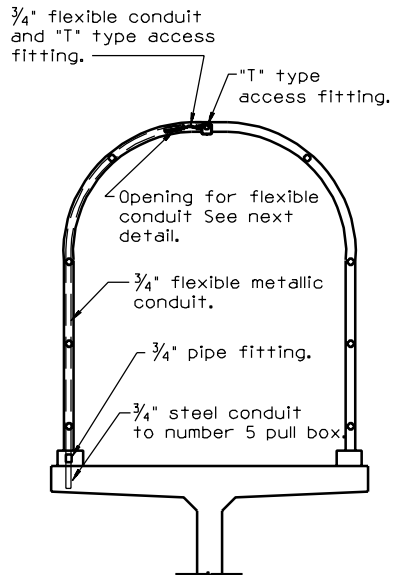
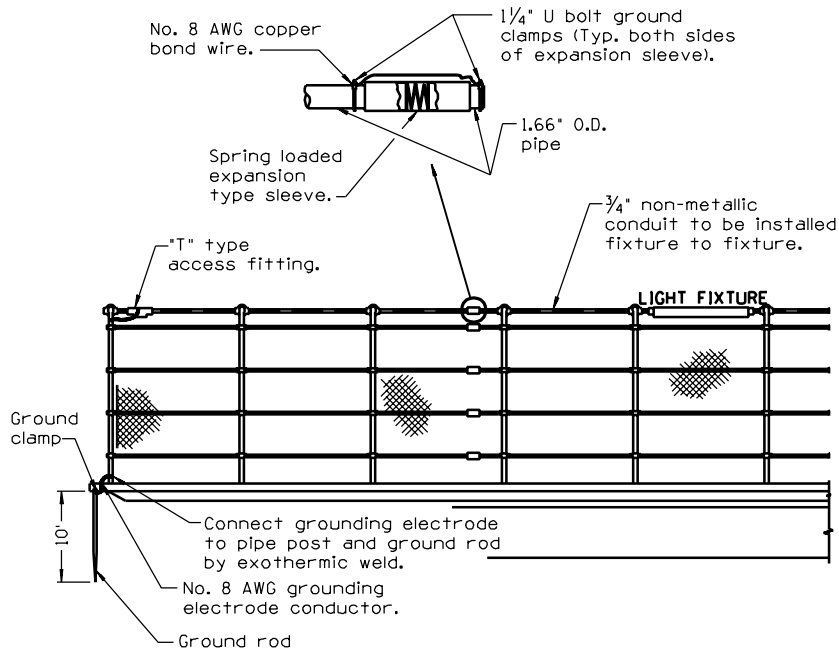


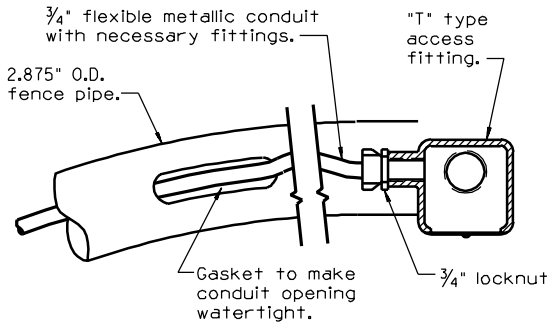
APPROACH SLAB TO FENCE  
CONDUIT CONNECTION



FLEXIBLE CONDUIT TO ACCESS FITTING  
CONNECTION DETAIL

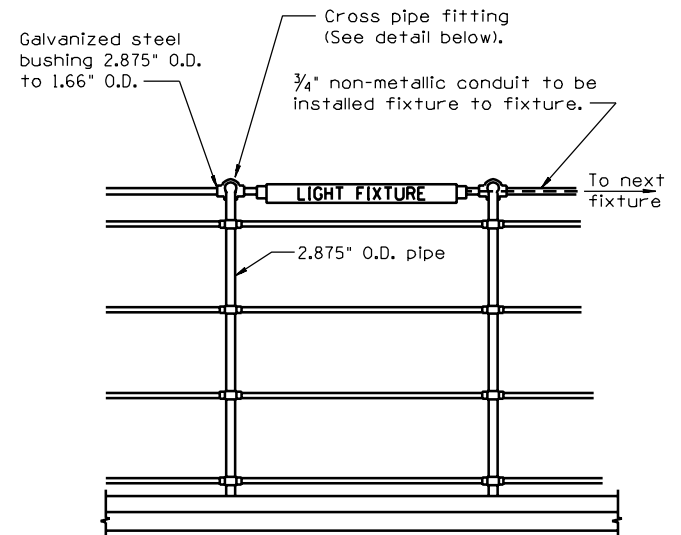


CONDUIT CROSSING OF BRIDGE  
EXPANSION JOINT

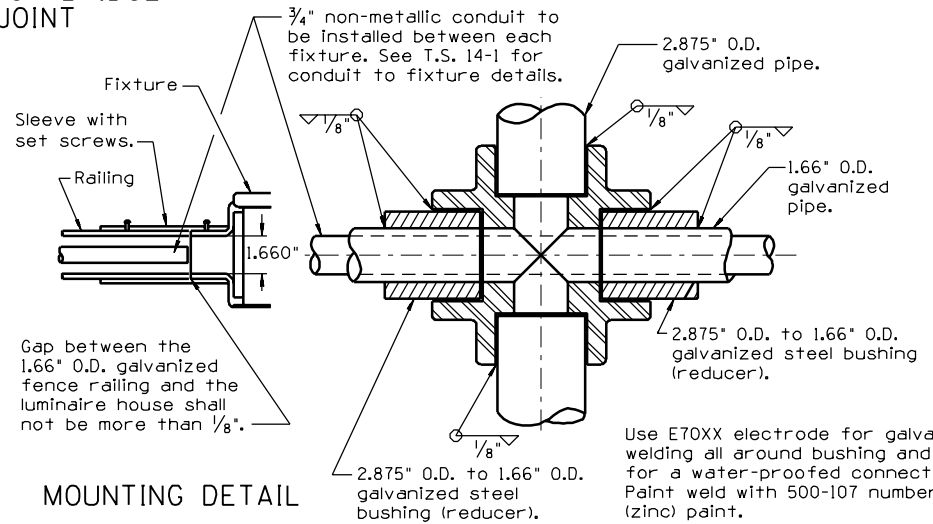


**NOTES:**

1. Install 3/4" flexible conduit and coupling into access fitting.
2. All connections shall be watertight.
3. Exposed flexible conduit shall be securely fastened to the fence fabric to help prevent it from being pulled down by vandals.



MOUNTING DETAIL



MOUNTING DETAIL

CROSS PIPE FITTING DETAIL

DESIGN APPROVED	<b>SIGNATURE</b>	ARIZONA DEPT. OF TRANSPORTATION INTERMODAL TRANSPORTATION DIVISION TRAFFIC SIGNALS & LIGHTING STANDARD DRAWINGS	REV.
APPROVED FOR DISTRIBUTION	<b>ON FILE</b>	PEDESTRIAN BRIDGE LIGHTING DETAILS	DRAWING NO. T.S. 14-2