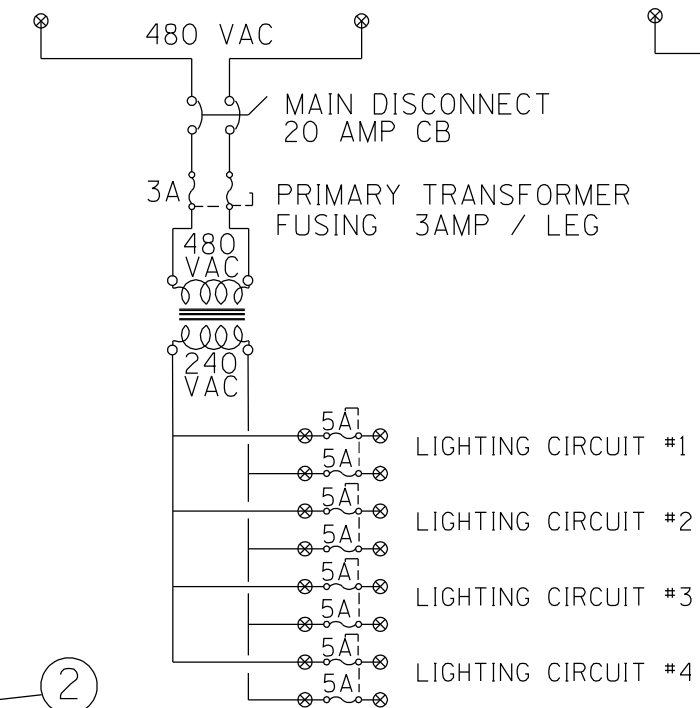
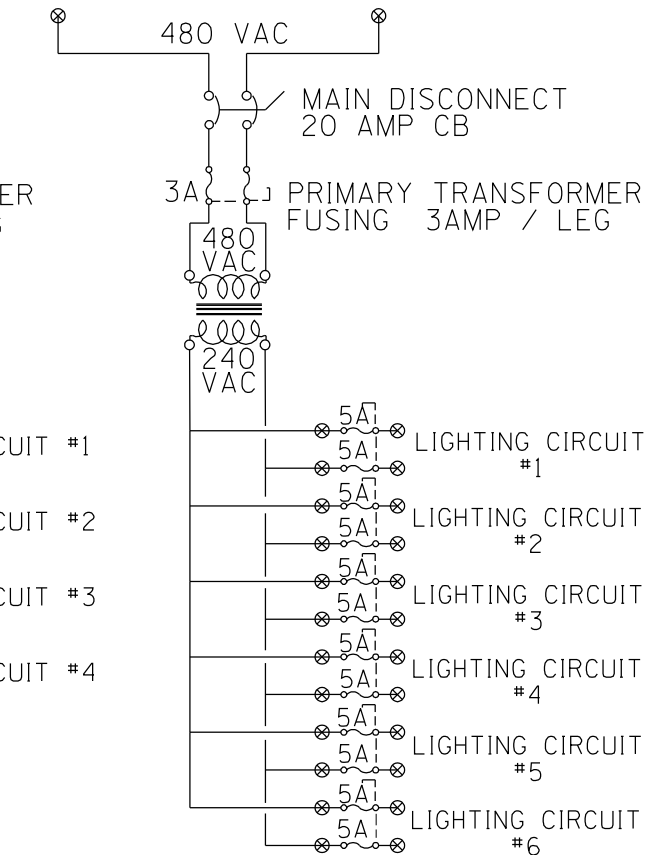


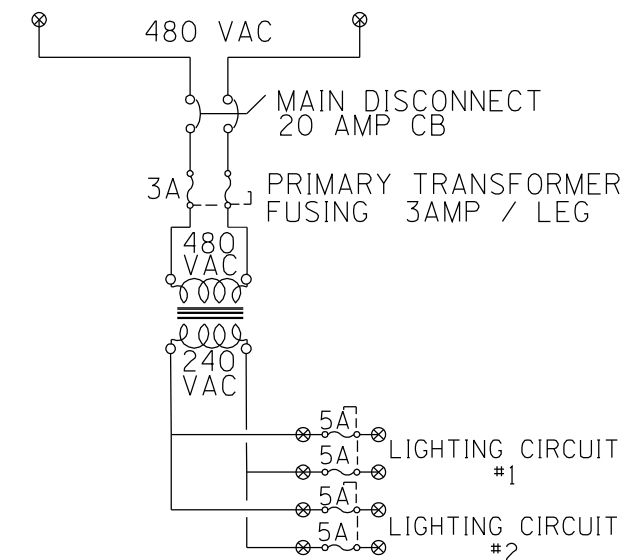
4 LIGHT CIRCUIT DESIGN



6 LIGHT CIRCUIT DESIGN



2 LIGHT CIRCUIT DESIGN



NOTES:

1. Fuse panel access door shall be padlockable.
2. See project plans for all other sign lighting electrical requirements.
3. All components on 480V. circuits shall be rated for 600V. operation. All other components shall be rated for 250V. operation.

No.	QTY. 2 LT.	QTY. 4 LT.	QTY. 6 LT.	DESCRIPTION
1	1	1	1	10" X 24" CUSTOM NEMA 3R ENCLOSURE
2	1	1	1	20 AMP TWO POLE CIRCUIT BREAKER
3			1	1000 VA TRANSFORMER
		1		750 VA TRANSFORMER
	1			500 VA TRANSFORMER
4			7	FUSE HOLDERS
		5		FUSE HOLDERS
	3			FUSE HOLDERS

DESIGN APPROVED	SIGNATURE	ARIZONA DEPT. OF TRANSPORTATION INTERMODAL TRANSPORTATION DIVISION TRAFFIC SIGNALS & LIGHTING STANDARD DRAWINGS	REV. 11/04
APPROVED FOR DISTRIBUTION	ON FILE	FUSE PANEL DETAILS FOR SIGN LIGHTING	DRAWING NO. T.S. 13-3