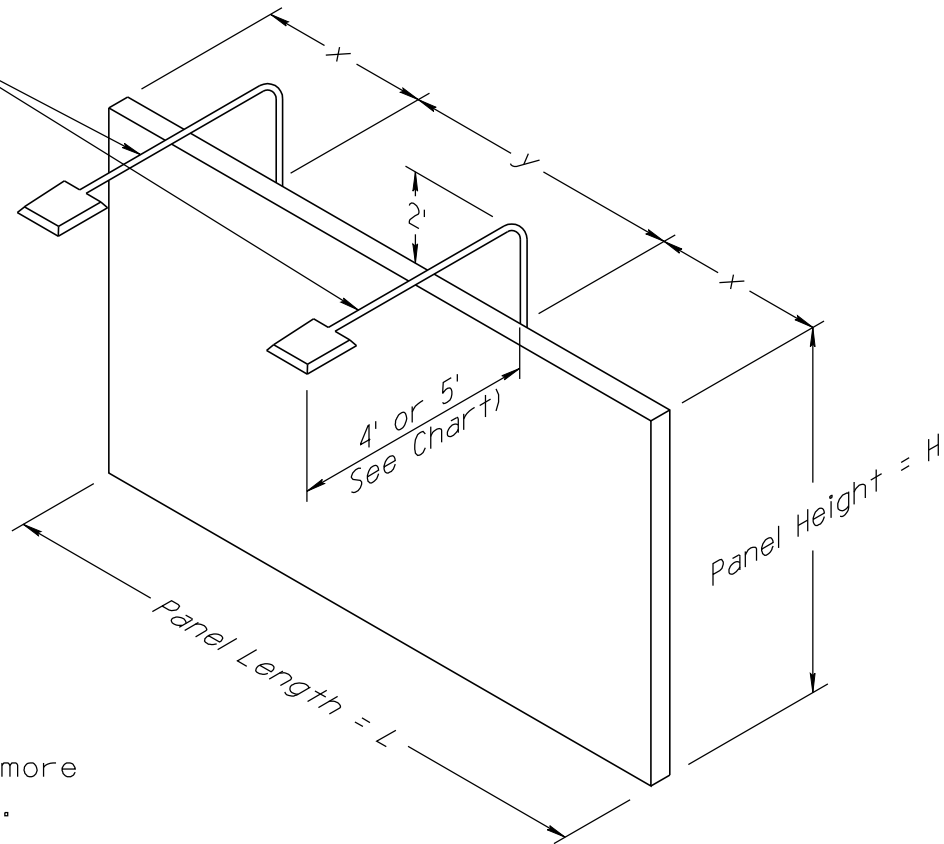


Sign Lighting Mount with 85 Watt Inductive Fluorescent Fixture



x = Distance from edge of panel.  
 y = Distance between sign light mount when more than one fixture is required (see chart).

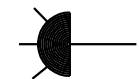
**NOTES:**

1. All materials and construction shall conform to the requirements of the Specifications.
2. When sign panels are placed side by side, locate the lighting fixtures using the sum of the sign panel lengths.
3. When sign panel heights do not equal heights shown, round up to the next whole number shown.
4. Panel height "H", includes exit panel sign.
5. Use top-mount sign lighting.
6. The spacing and number of fixtures shown on this drawing is based on HPS sign light, not 85 Watt Philips QL lamp, actual layout and number of fixtures may vary based on photometric calculations.
7. Lighting loss factor (LLF) is to be 0.75.
8. Lumen rating is to be 6,300 lumens.
9. The Lighting performance criteria is: 6 to 10 footcandels average with a 3 to 1 or better average to minimum and a 5.5 to 1 maximum to minimum uniformity ratios.

Location Of Sign Lighting Mount (Dimensions in Feet)

Sign Size ( HxL )	6 X 6	6 X 8	6 X 10	6 X 12	6 X 14	6 X 16	6 X 18	6 X 20	6 X 22	6 X 24	6 X 26	6 X 28	6 X 30	8 X 8	8 X 10	8 X 12	8 X 14	8 X 16	8 X 18	8 X 20	8 X 22	8 X 24	8 X 26	8 X 28	8 X 30	10 X 10	10 X 12	10 X 14	10 X 16	10 X 18	10 X 20	10 X 22	10 X 24	10 X 26	10 X 28	10 X 30			
Number of Fixtures	1	1	1	1	1	1	2	2	2	2	2	2	2	1	1	1	1	1	2	2	2	2	2	2	2	1	1	1	1	2	2	2	2	2	2	2	2	2	2
Mount Size	4x2	4x2	4x2	4x2	4x2	4x2	4x2	4x2	4x2	4x2	4x2	4x2	4x2	4x2	4x2	4x2	4x2	4x2	4x2	4x2	4x2	4x2	4x2	4x2	4x2	4x2	4x2	4x2	4x2	4x2	4x2	4x2	4x2	4x2	4x2	4x2	4x2	4x2	
"X" feet	3	4	5	6	7	8	3	4	4	5	6	6	7	4	5	6	7	8	3	4	4	5	6	6	7	5	6	7	8	3	4	4	5	6	6	7	7		
"Y" feet	0	0	0	0	0	0	12	12	14	14	14	16	16	0	0	0	0	0	12	12	14	14	14	16	16	0	0	0	0	12	12	14	14	14	16	16	16	16	

Sign Size ( HxL )	12 X 10	12 X 12	12 X 14	12 X 16	12 X 18	12 X 20	12 X 22	12 X 24	12 X 26	12 X 28	12 X 30	14 X 8	14 X 10	14 X 12	14 X 14	14 X 16	14 X 18	14 X 20	14 X 22	14 X 24	14 X 26	14 X 28	14 X 30
Number of Fixtures	2	2	2	2	2	2	3	3	3	3	3	2	2	2	2	2	2	2	3	3	3	3	3
Mount Size	5x2	5x2	5x2	5x2	5x2	5x2	5x2	5x2	5x2	5x2	5x2	5x2	5x2	5x2	5x2	5x2	5x2	5x2	5x2	5x2	5x2	5x2	5x2
"X" feet	2	3	3	3	3	4	2	3	3	3	3	2	2	3	3	3	3	4	2	3	3	3	3
"Y" feet	6	6	8	10	12	12	9	9	10	11	12	4	6	6	8	10	12	12	9	9	11	11	12



PLAN SYMBOL

NOT TO SCALE

DESIGN APPROVED	ARIZONA DEPARTMENT OF TRANSPORTATION INTERMODAL TRANSPORTATION DIVISION TRAFFIC SIGNALS AND LIGHTING STANDARD DRAWINGS	REVISION 03/10
APPROVED FOR DISTRIBUTION		DRAWING NO. T.S. 13-3
PLACEMENT OF LIGHTING FIXTURES FOR OVERHEAD SIGNS		SHEET NO. 1 OF 1