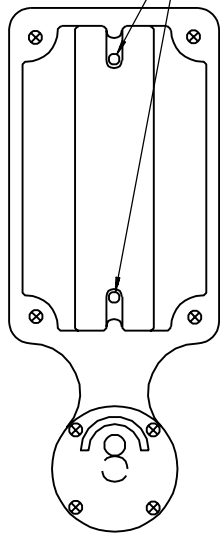
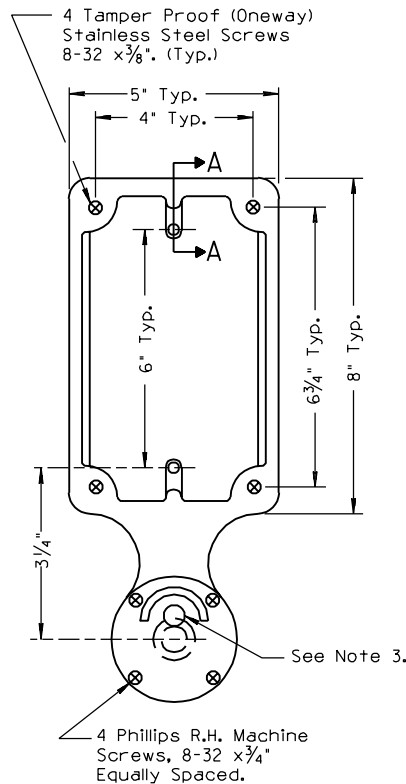


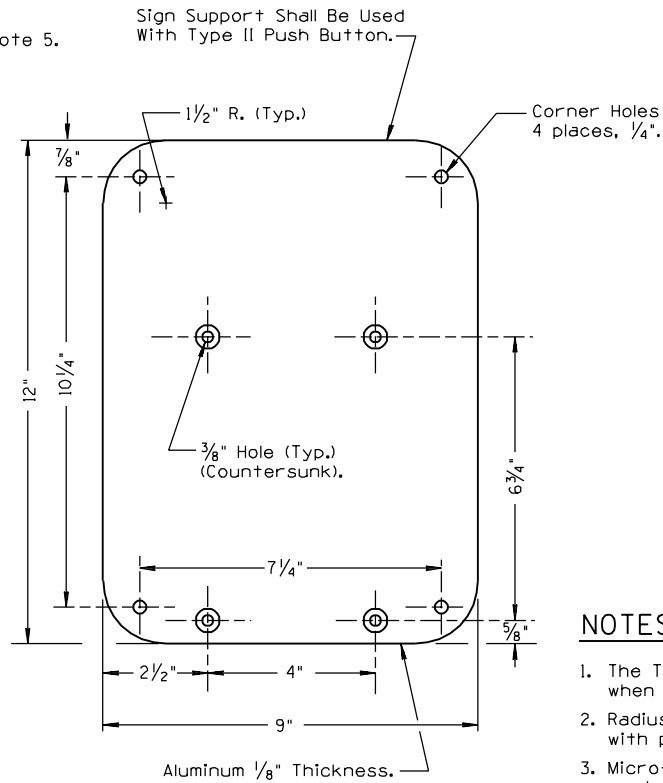
1/4" Holes For 1/4"-20 x 1" Slotted R.H. Brass Machine Screw. See SECTION A-A. (Typ.)



TYPE "A"



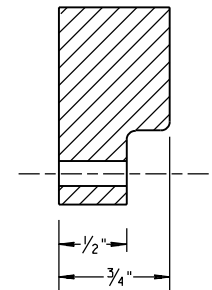
TYPE "B"



SIGN SUPPORT



PLAN SYMBOL



SECTION A-A

**NOTES:**

1. The Type II push button shall be used only when specified.
2. Radius of casting back to correspond with pole diameter.
3. Micro-Switch pushbutton with normal open contact.
4. Material shall be Aluminum Alloy.
5. For pedestrian sign detail see T.S. 11-3 or T.S.11-4.
6. Type "A" for wood pole mounting only.
7. The push button sign shall be secured to the sign support with 4, 1/4" pop rivets.

DESIGN APPROVED	<b>SIGNATURE</b>	ARIZONA DEPT. OF TRANSPORTATION INTERMODAL TRANSPORTATION DIVISION TRAFFIC SIGNALS & LIGHTING STANDARD DRAWINGS	REV.
APPROVED FOR DISTRIBUTION		TYPE II PEDESTRIAN PUSH BUTTON	DRAWING NO. T.S. 11-2
<b>ON FILE</b>			