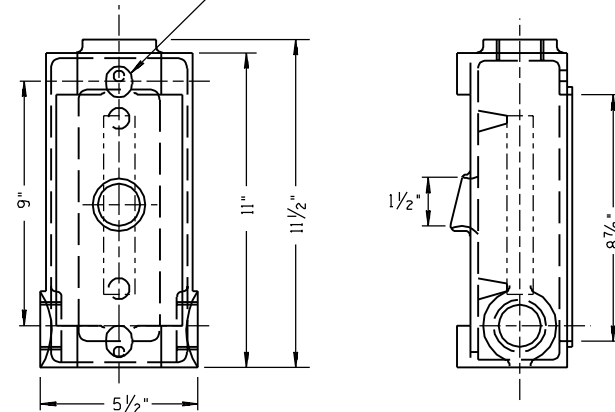
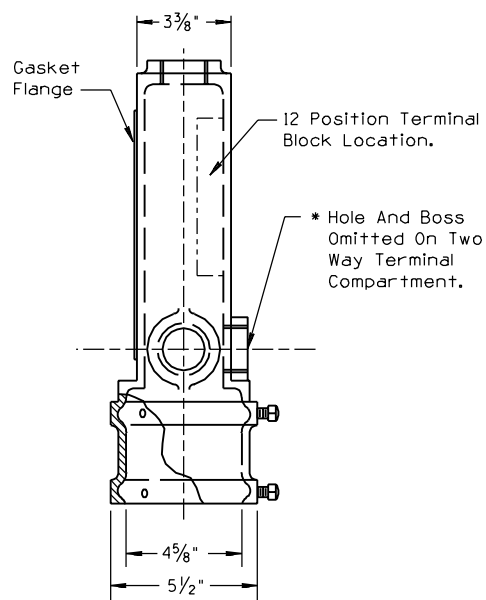
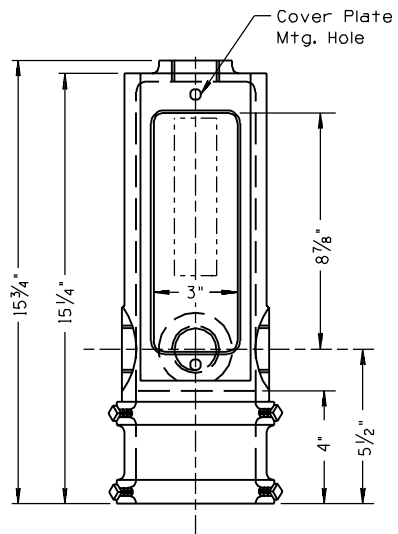
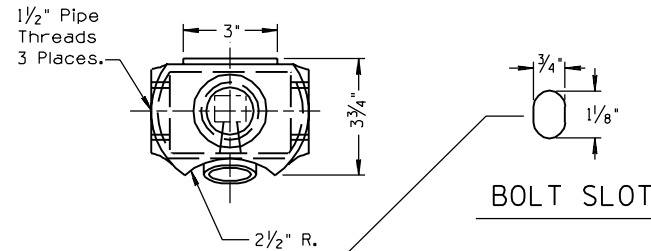


**NOTES:**

1. Cover Plate Shall Be Attached With 2 Machine Screws, 10-32 x 3/4".
2. Material - Bronze.
3. Paint Finish To Comply With Specifications.



SIDE MOUNTED TERMINAL COMPARTMENT  
(-1)

POLE TOP TERMINAL COMPARTMENT  
\* 2 Way (-2)  
3 Way (-3)

DESIGN APPROVED	<b>SIGNATURE</b>	ARIZONA DEPT. OF TRANSPORTATION INTERMODAL TRANSPORTATION DIVISION TRAFFIC SIGNALS & LIGHTING STANDARD DRAWINGS	REV.
APPROVED FOR DISTRIBUTION		TERMINAL COMPARTMENT, SIDE MOUNTED AND POLE TOP MOUNTED	DRAWING NO. T.S. 10-4
<b>ON FILE</b>			