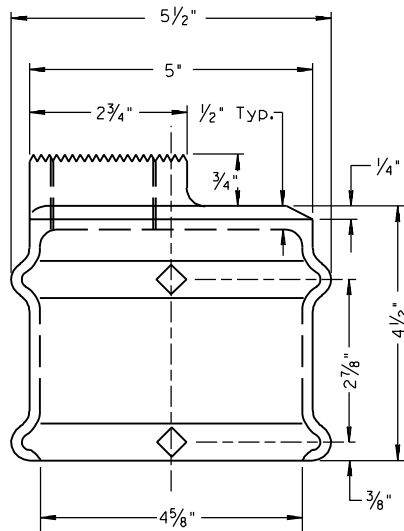
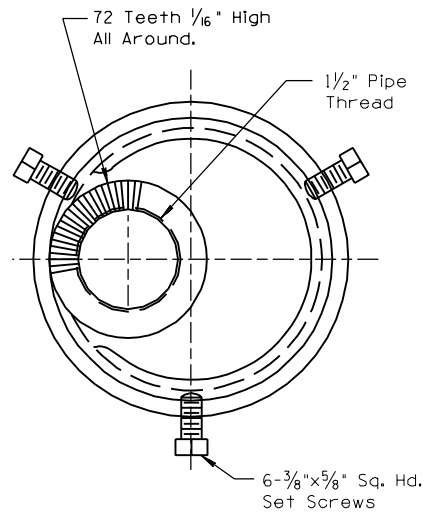
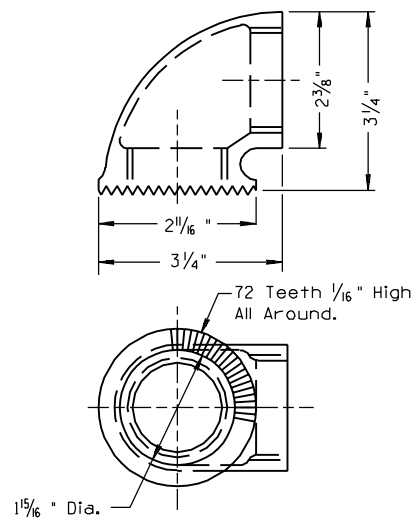


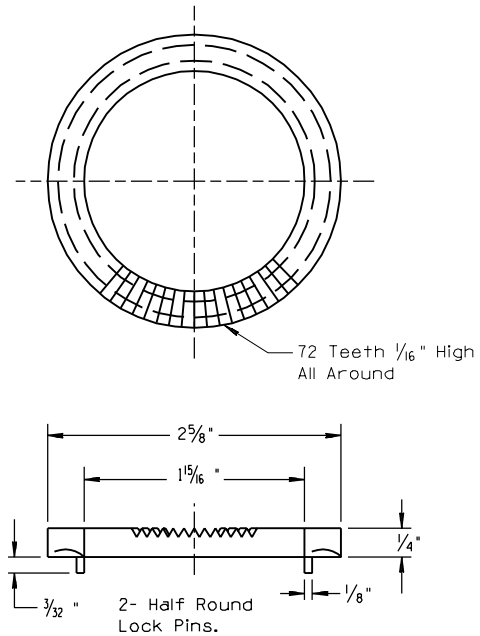
-1 TEE
With Locking Device



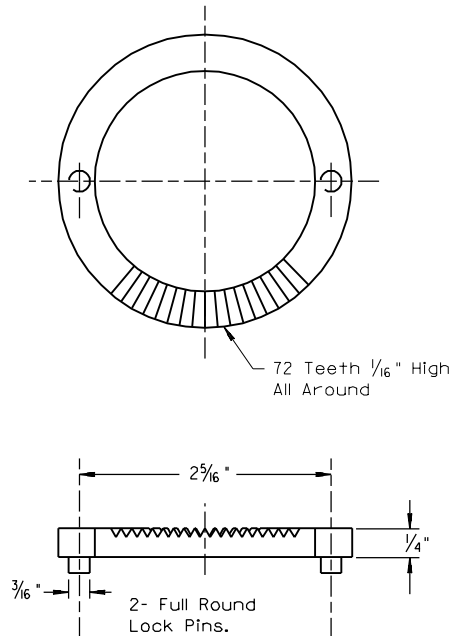
-3 POLE TOP BRACKET



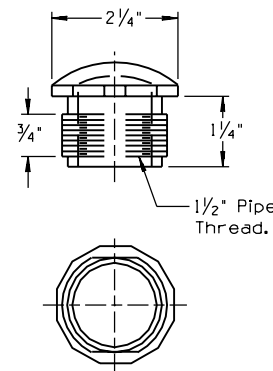
-2 ELBOW
With Locking Device



-4 LOCK RING



-5 LOCK RING



-6 ORNAMENTAL CAP

NOTES:

1. Material
 1. Tee, Ferrous
 2. Elbow, Ferrous
 3. Bracket, Bronze
 4. Lock Ring, Bronze
 5. Lock Ring, Bronze
 6. Cap, Aluminum
2. Paint Finish To Comply With Specifications.

DESIGN APPROVED

SIGNATURE

APPROVED FOR DISTRIBUTION

ON FILE

ARIZONA DEPT. OF TRANSPORTATION
INTERMODAL TRANSPORTATION DIVISION
TRAFFIC SIGNALS & LIGHTING
STANDARD DRAWINGS

MISCELLANEOUS
SIGNAL MOUNTING
PARTS

DRAWING NO.
T.S. 10-1