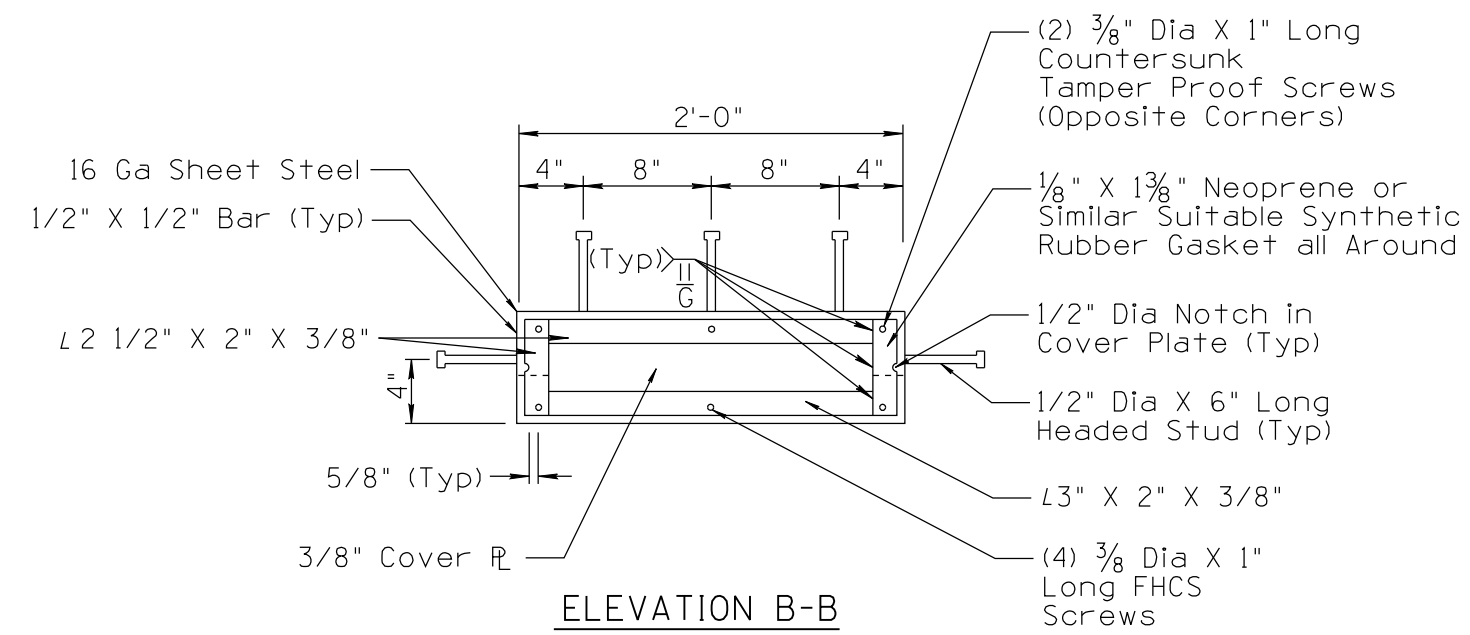
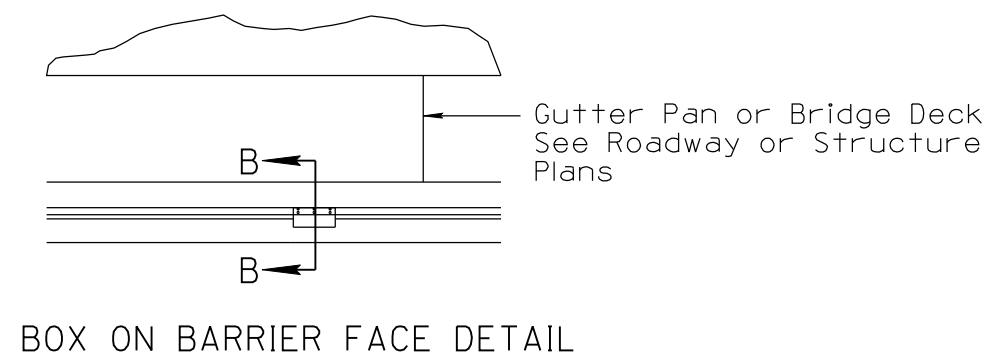
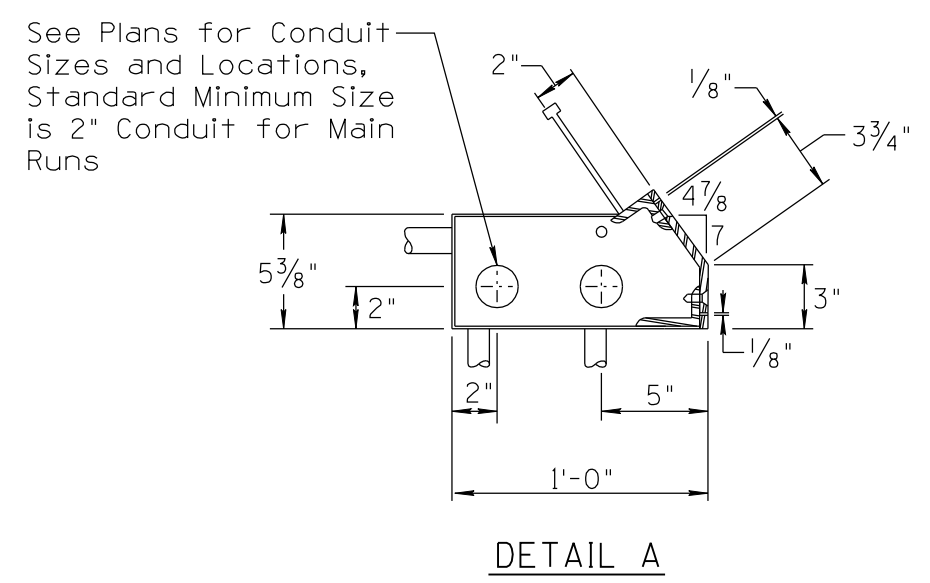
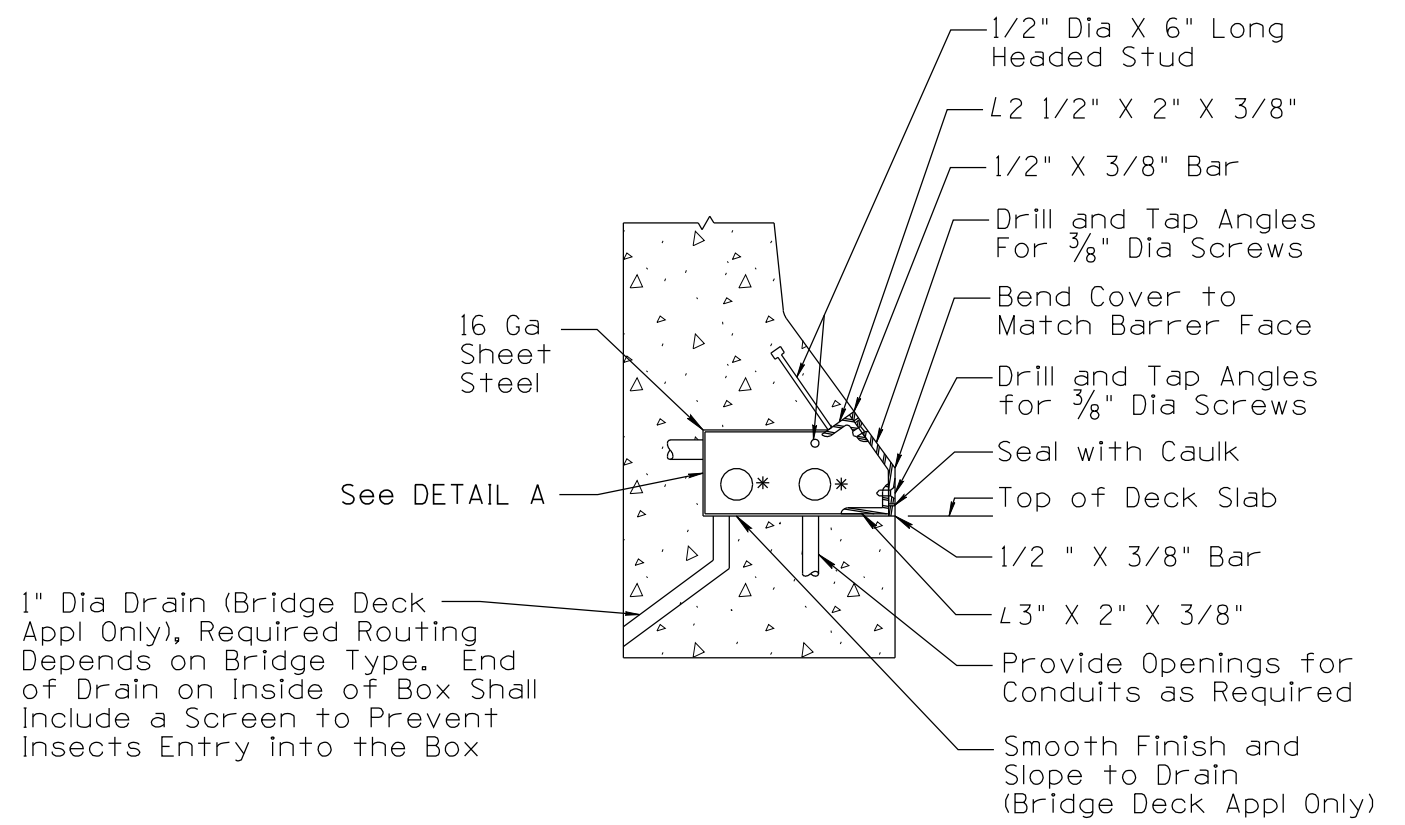


NO	DATE	MADE BY	DESCRIPTION OF REVISIONS
1	2010 EDITION	C. COLE	
2			
3	03/10		
4			



- SPECIAL NOTE:**
1. These junction boxes should only be used if there is no other reasonable alternative to provide access to conduits. The box shall only be applied to concrete barrier shape that is compatible.
 2. Interface between angle and concrete shall be sealed with a 25-year silicone caulk.
 3. See sheet 2 of 2 for other requirements.



NOT TO SCALE

DESIGN APPROVED	ARIZONA DEPARTMENT OF TRANSPORTATION INTERMODAL TRANSPORTATION DIVISION TRAFFIC SIGNALS AND LIGHTING STANDARD DRAWINGS	REVISION 03/10
APPROVED FOR DISTRIBUTION		DRAWING NO. T.S. 1-8
FRONT OF BARRIER JUNCTION BOX		SHEET NO. 1 OF 2