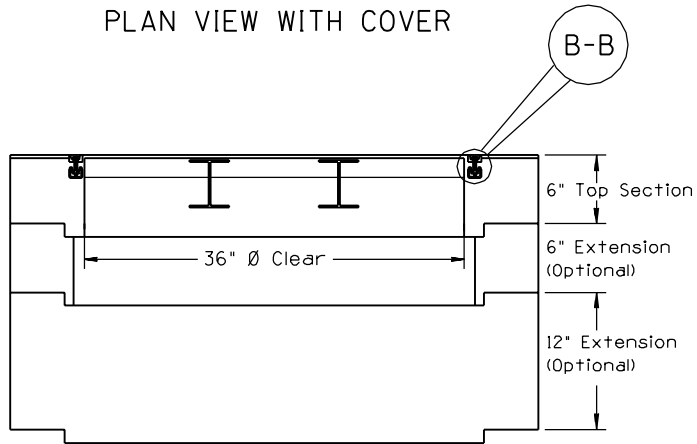
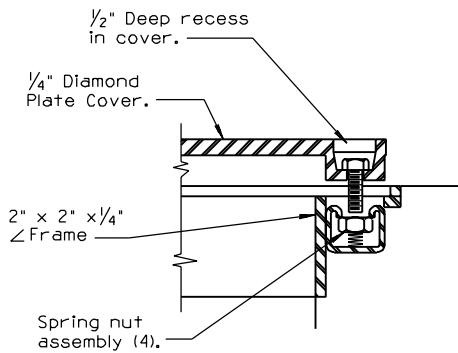


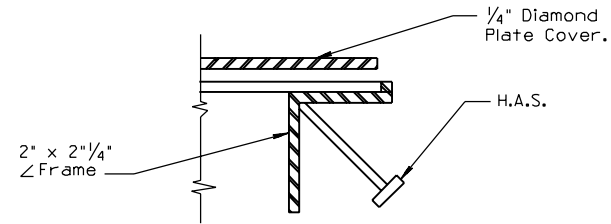
PLAN VIEW WITH COVER



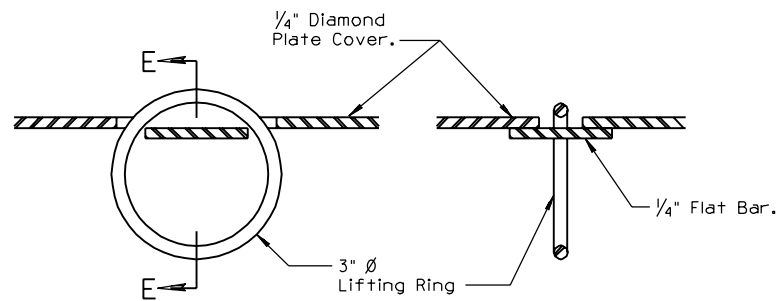
SECTION A-A



SECTION B-B
(Bolt Down)

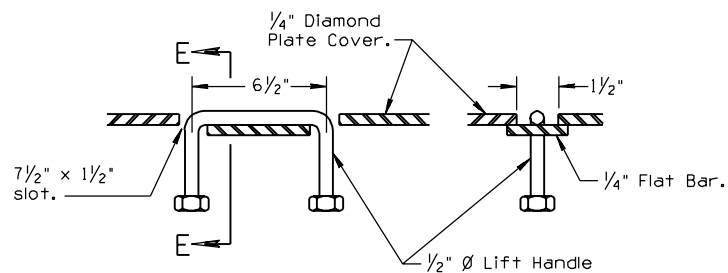


SECTION C-C
(Typical)



SECTION D-D
(Lifting Ring)

SECTION E-E
(Lift Ring)



SECTION D-D
(Lift Handle)

SECTION E-E
(Lift Handle)

DESIGN APPROVED

SIGNATURE

ARIZONA DEPT. OF TRANSPORTATION
INTERMODAL TRANSPORTATION DIVISION
TRAFFIC SIGNALS & LIGHTING
STANDARD DRAWINGS

APPROVED FOR DISTRIBUTION

ON FILE

TRAFFIC SIGNAL & LIGHTING
No. 9 PULL BOX
COVER & LIFT HANDLES

DRAWING NO.
T.S. 1-7