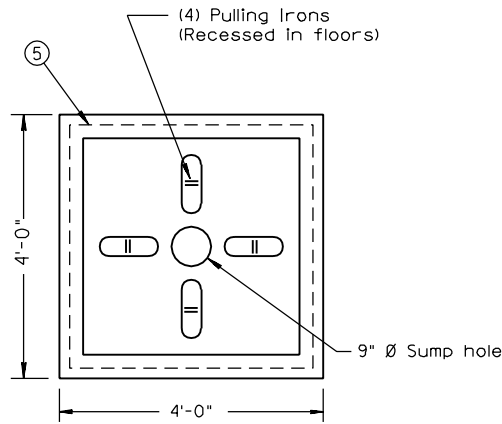
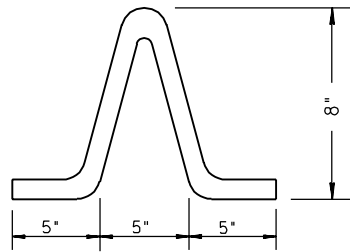


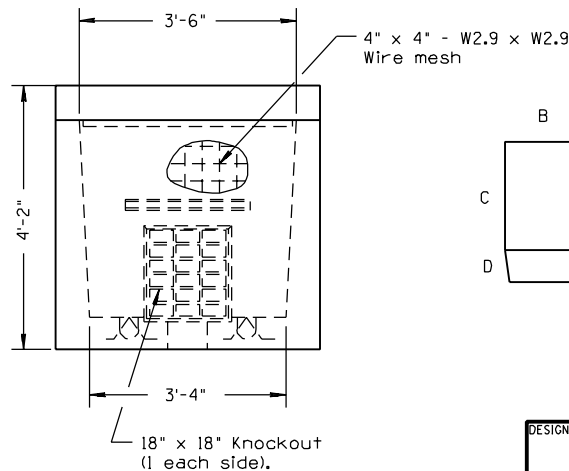
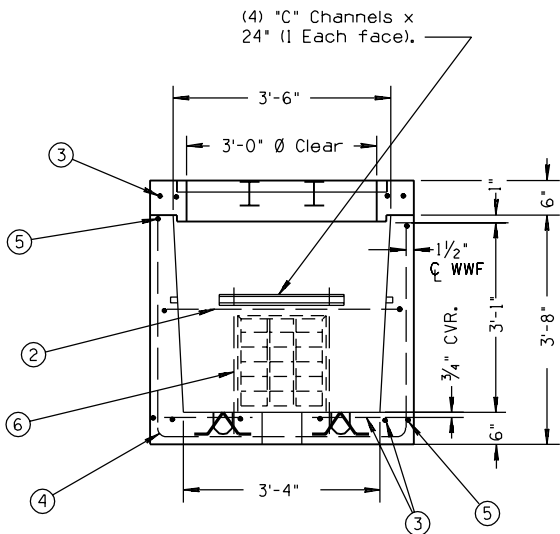
PLAN VIEW WITH COVER



PLAN VIEW



PULLING IRON DETAIL



GENERAL NOTES:

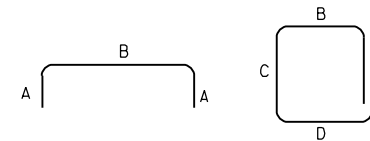
1. Pull irons are $\frac{3}{4}$ " \emptyset cold rolled galvanized steel.
2. Weight Concrete: Cover = 663#, Vault = 2858# Total = 3689#.
Rebar: Cover = 91#, Vault = 79#, Total = 170#.
Door: 175#

STRUCTURAL NOTES:

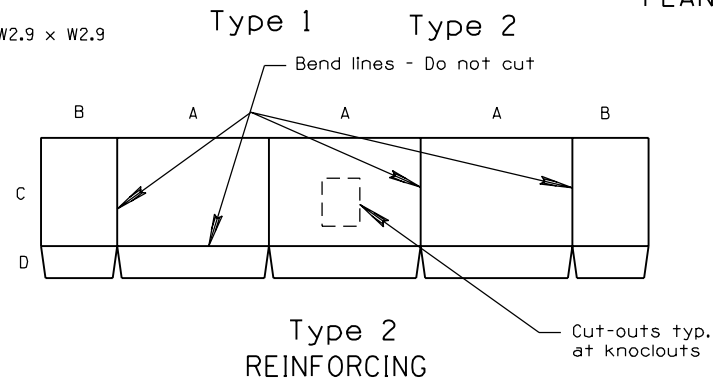
1. Concrete: 28 Day compressive strength $f'c$ = 4500 PSI.
2. Rebar: ASTM A-615 Grade 60.
3. Mesh: ASTM A-185 Grade 65.
4. Design ACI-318-89 Building Code.
5. Loads: HS-20 truck wheel with 30% impact per AASHTO ASTM C-857 "Minimum structural design loading for underground precast concrete utility structures".

REBAR NOTES:

MARK	SIZE	BEND TYPE	NO. REQ'D	LENGTH	A	B	C	D	E
①	#5	STR.	8	1'-7"					
②	#4	1	4	8'-9"	2'-6"	3'-9"			
③	#4	STR.	16	3'-9"					
④	4x4-W2.9	3	1	15'-11" x 4'-9"	3'-9"	2'-4"	3'-3"	1'-6"	
⑤	#4	2	2	16'-0"	3'-9"	3'-9"	3'-9"	3'-9"	1'-0"
⑥	#4	STR.	8	2'-6"					



PLAN SYMBOL



Type 2 REINFORCING

DESIGN APPROVED	SIGNATURE	ARIZONA DEPT. OF TRANSPORTATION INTERMODAL TRANSPORTATION DIVISION TRAFFIC SIGNALS & LIGHTING STANDARD DRAWINGS	REV.
APPROVED FOR DISTRIBUTION		Traffic Signal & Lighting No. 9 PULL BOX	DRAWING NO. T.S. 1-6
ON FILE			