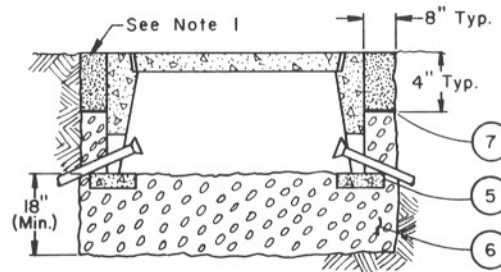


ROADWAY LIGHTING

IN-LINE FUSE SIZES

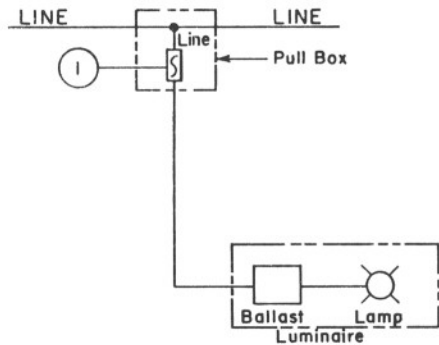
LUMINAIRE WATTAGE	LINE VOLTAGE		
	120	240	480
	AMPERAGE RATING		
150	5	3	2
250	15	10	5
400	20	10	5



TYPICAL PULL BOX INSTALLATION

MATERIAL LIST

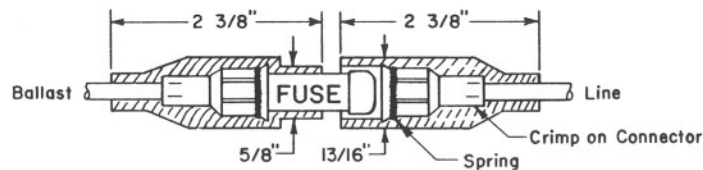
Item	Qty.	Description
1		In-Line Connector - Fused, Non-Locking Type
2		In-Line Connector - Un-Fused, Non-Locking Type
3		Conduit End Bell (Typ.)
4		Bare Bond With Approved Clamp
5	4	Concrete Building Block
6		Class "B" Concrete Aggregate Designated Size No. 57
7		30 Lb. Felt Paper
8		No. 12 XHHW Wire
9		Pull Box (Cover Removed)



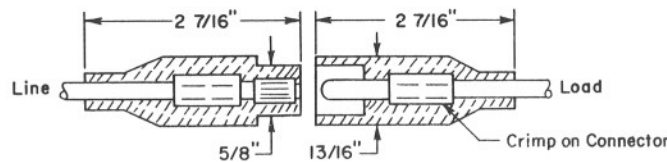
SINGLE LINE WIRING DIAGRAM FOR BALLAST IN LUMINAIRE

NOTES:

1. Backfill with excavated material and thoroughly compact.
2. Where pull boxes are installed in concrete areas, 1/2" premolded expansion joint shall be installed around pull box.
3. Conductors shall have a minimum of 36" slack from conduit end bell.
4. The un-fused in line connectors shall be used with T.S. 5-1.



IN-LINE CONNECTOR-FUSED



IN-LINE CONNECTOR UN-FUSED

see note 4

DESIGN APPROVED <i>Charles Brown</i> 7/24/85	STATE OF ARIZONA DEPARTMENT OF TRANSPORTATION DIVISION OF HIGHWAYS STANDARD DRAWINGS	REV. 10-6-86
APPROVED FOR DISTRIBUTION <i>James G. M...</i>	TYPICAL PULL BOX INSTALLATION AND WIRING DETAILS	DRAWING NO. T.S. 1-6