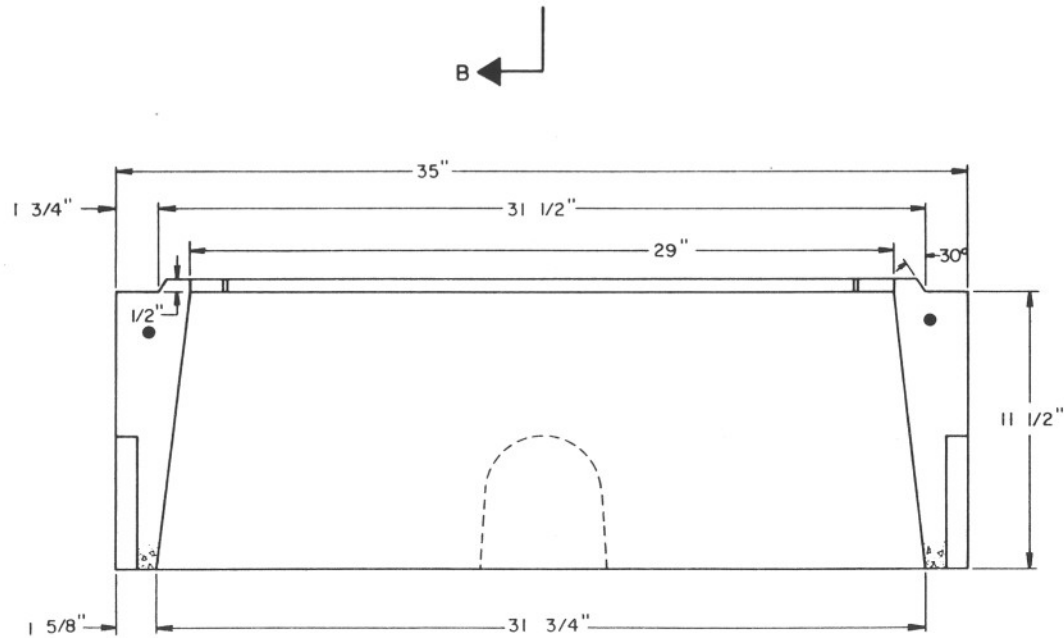
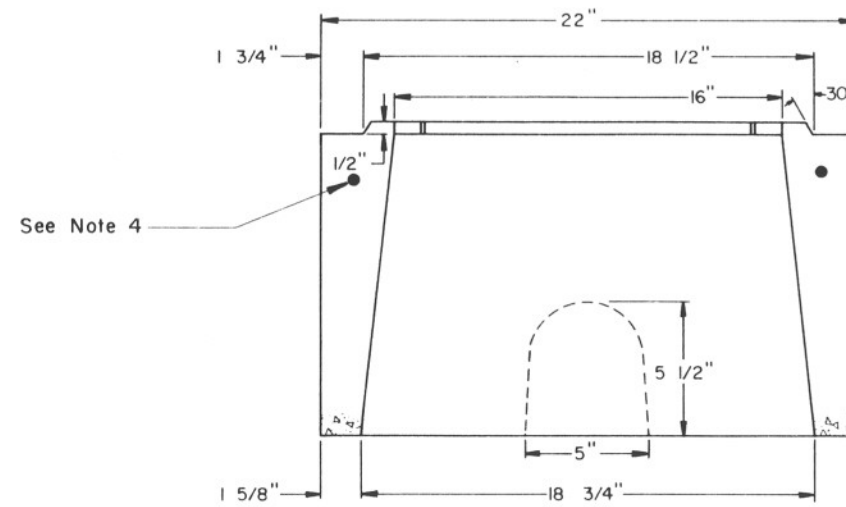


NOTES:

1. See the Specifications for material and construction.
2. Top locking bead may be continuous, located at sides only, or located at corners only.
3. See T.S. I-6 for typical installation details.
4. Steel reinforcing shall be as regularly used in standard products of the respective manufacturer.



SECTION A-A



SECTION B-B

DESIGN APPROVED <i>Carly Brown</i> 7/24/88	STATE OF ARIZONA DEPARTMENT OF TRANSPORTATION DIVISION OF HIGHWAYS STANDARD DRAWINGS	REV
APPROVED FOR DISTRIBUTION	NO. 7 PULL BOX EXTENSION	DRAWING NO. T.S. I-5