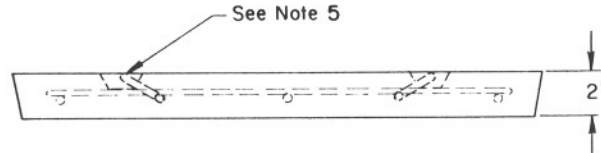
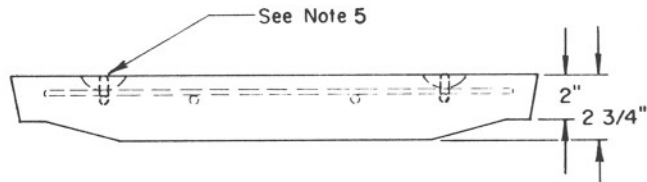
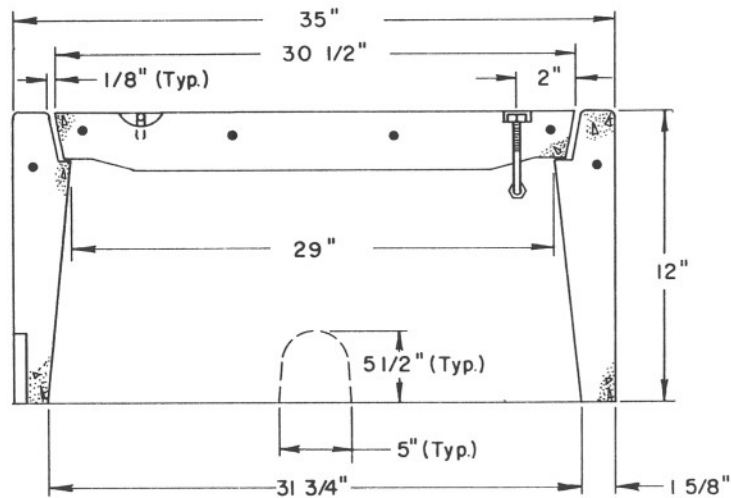


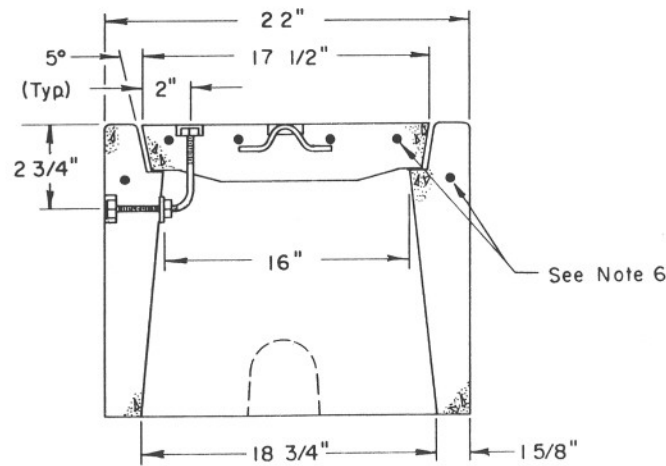
1 1/2" R. (Typ.)



ALTERNATE PULL BOX COVER



SECTION A-A



SECTION B-B

NOTES:

1. See the Specifications for material and construction.
2. Covers shall be secured with 3/8" "L" bolts, nuts and washers, which shall be of brass, stainless steel, or other corrosion resistant material. Stainless steel shall have a chromium content of not less than 18% and a nickel content of not less than 8%. Nuts shall be recessed below top surface of cover.
3. Cover lettering shall be 1" letters cast in standard markings, ADOT. ELECTRICAL HIGH VOLTAGE.
4. See T.S. I-6 for typical installation details.
5. See T.S. I-1 for lift eye slot detail.
6. Steel reinforcing shall be as regularly used in standard products of the respective manufacturer.

DESIGN APPROVED <i>Carlin Brown</i> 7/24/65	STATE OF ARIZONA DEPARTMENT OF TRANSPORTATION DIVISION OF HIGHWAYS STANDARD DRAWINGS	REV.
APPROVED FOR DISTRIBUTION <i>[Signature]</i>	NO. 7 PULL BOX	DRAWING NO. T.S. I-4