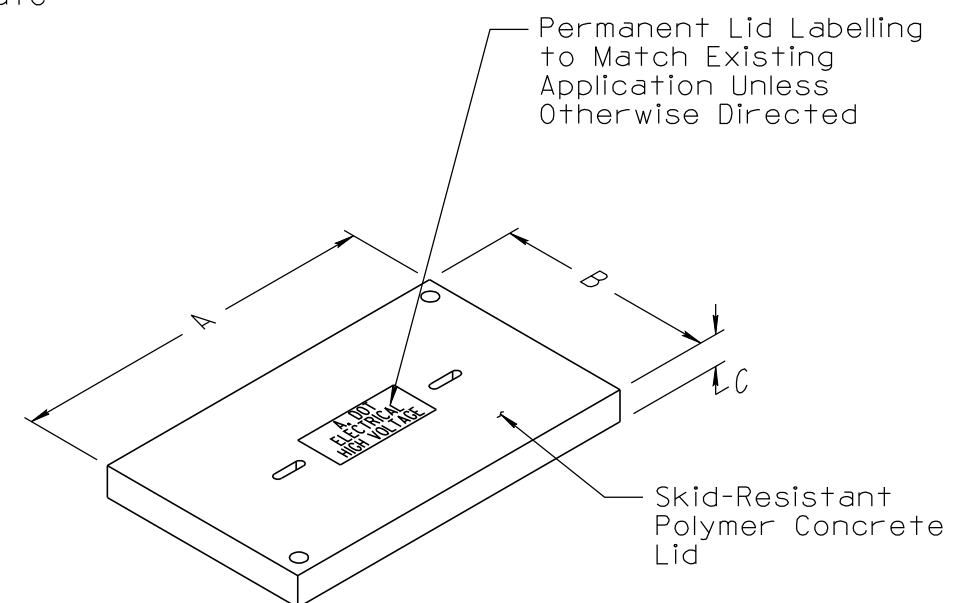


ADOT DESIGNATION	WUC 3.6 DESIGNATION	A	B	C	MINIMUM LOAD RATING	COMMENTS
No. 5 Pull Box (LD)	13" X 24"	23 ¹ / ₄ "	13 ³ / ₄ "	2"	TIER 8	Standard size for Light Duty Boxes See T.S. 1-1 for applicable requirements
No. 5 Pull Box (HD)	13" X 24" X 18"	23 ¹ / ₄ "	13 ³ / ₄ "	2"	TIER 22	Standard size for PFC Boxes See T.S. 1-2 for applicable requirements
PC No. 5 Replacement Lid	-	21 ⁵ / ₈ "	11 ⁵ / ₈ "	2"	TIER 15	Replacement Lid for ADOT's Previous T.S. 1-2 - 2004
PC No. 5 Replacement Lid	-	20 ⁵ / ₈ "	10 ¹ / ₂ "	2"	TIER 15	Replacement Lid for PC Christy Boxes
PC No. 5 Replacement Lid	-	21 ³ / ₄ "	11 ³ / ₄ "	2"	TIER 15	Replacement Lid for PC Boxes by Precast and J&R
PC No. 5 Replacement Lid	-	21 ¹¹ / ₁₆ "	11 ¹¹ / ₁₆ "	2"	TIER 15	Replacement Lid for PC Quickset Boxes
No. 7 Pull Box (LD)	17" X 30" X 18"	30 ¹ / ₂ "	17 ⁵ / ₈ "	2"	TIER 8	Standard size for Light Duty Boxes See T.S. 1-1 for applicable requirements
No. 7 Pull Box (HD)	17" X 30"	30 ¹ / ₂ "	17 ¹ / ₂ "	2"	TIER 22	Standard size for PFC Boxes See T.S. 1-2 for applicable requirements
PC No. 7 Replacement Lid	-	30 ⁵ / ₈ "	17 ¹ / ₂ "	2"	TIER 15	Replacement Lid for Precast, Quickset and J&R Boxes (Caltrans No. 6)

NOTES:

- All lids on existing pull boxes shall be replaced with a polymer concrete lid if they are damaged missing or specified to be replaced. The table above is to help facilitate this with information on the needed sizing. The replacement lid shall meet or exceed the requirements of the original installation.
- It is acceptable for lids of one manufacture be used on a box body of another material type and/or manufacture as long as the lid fits properly and is able to be secured. If lid can not be secured (bolted down) the Engineer may direct that the box body be replaced also.
- Fit properly means that the lid seats and seals into the box body so that the top surface of the lid is flush with the box edge.
- The sizing (the A, B & C dimensions) required load rating and type of lid hold down bolt system shall be field verified by the contractor prior to ordering replacement lids. Each pull box installation shall be checked.
- The replacement lid shall, at a minimum, conform to all the applicable requirements of the most current version of the Society of Cable Telecommunications Engineers (SCTE) "Specification for Underground Enclosure Integrity" ANSI/SCTE 77. In addition to the required chemical resistant requirements the lid shall also be resistant to a 5% solution of ice mitigation salt Magnesium Chloride. The box lid, as a minimum, shall have an ANSI/SCTE 77 Tier load rating as indicated in the table. The lid shall be marked or labeled in a manner which confirms their compliance to the applicable ANSI/SCTE 77 requirements.
- Existing No. 3¹/₂ boxes shall be replaced with new No. 5 boxes unless noted otherwise on the plans.
- All lid hold down hardware shall be stainless steel or galvanized steel.
- Lid markings shall be 1" letters ($\pm 1/4$ ") which are cast, molded or engraved.



NOT TO SCALE

DESIGN APPROVED	ARIZONA DEPARTMENT OF TRANSPORTATION INTERMODAL TRANSPORTATION DIVISION TRAFFIC SIGNALS AND LIGHTING STANDARD DRAWINGS	REVISION 03/10
APPROVED FOR DISTRIBUTION		DRAWING NO. T.S. 1-3
REPLACEMENT LID SIZING FOR EXISTING NO. 5 AND NO. 7 PULL BOXES		SHEET NO. 1 OF 1