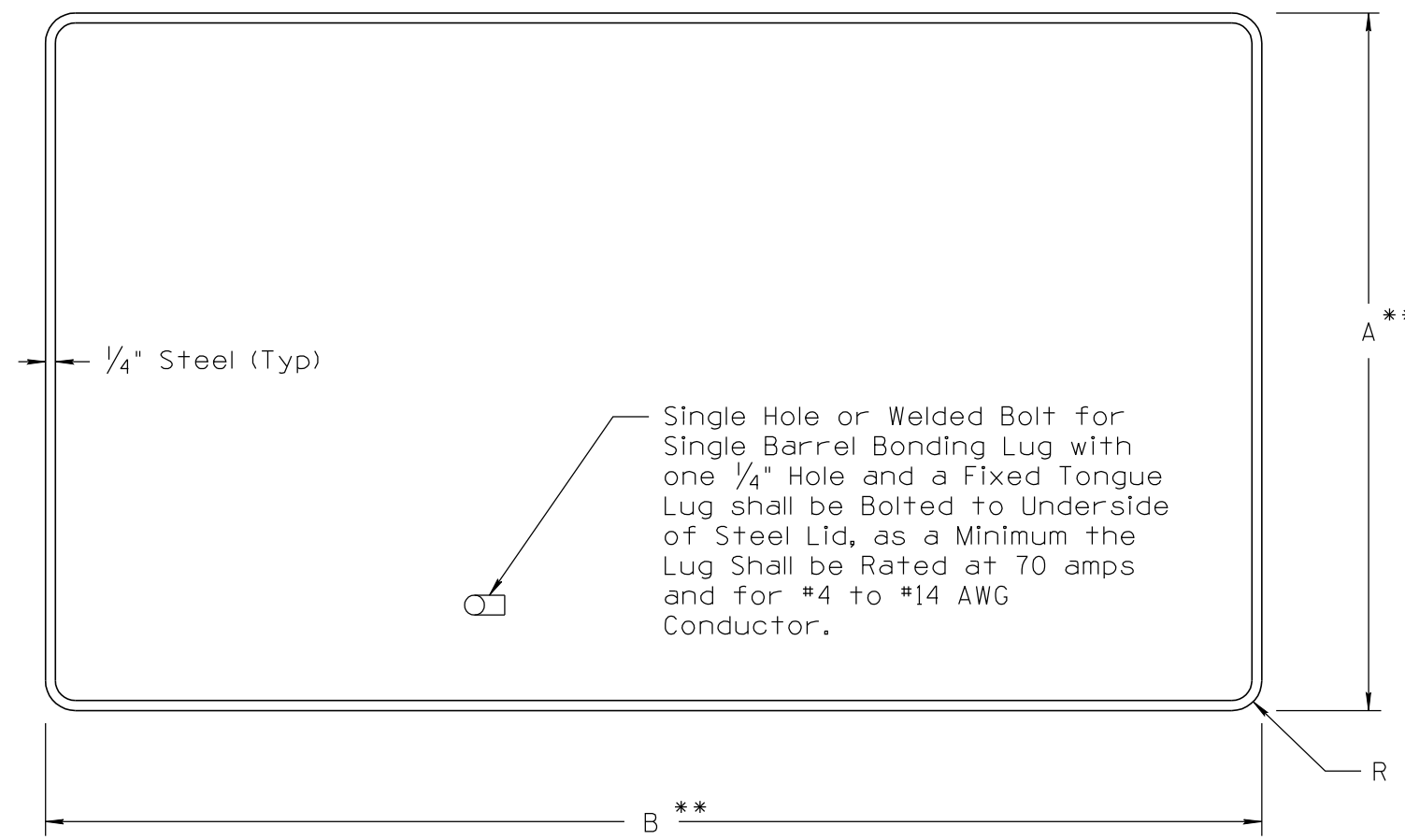
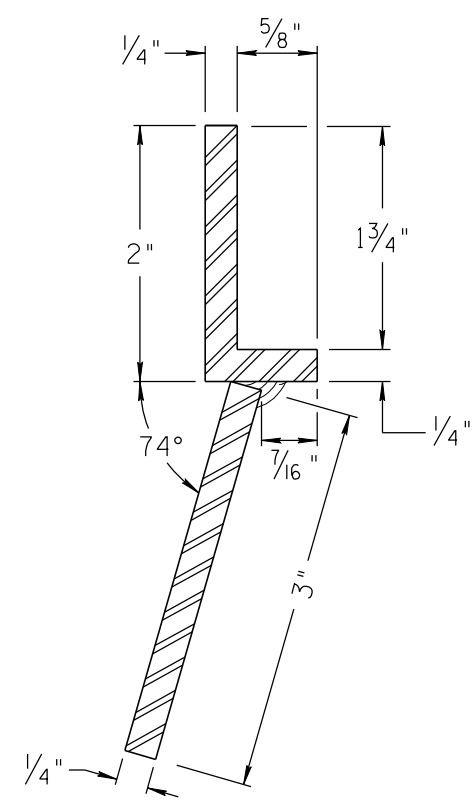


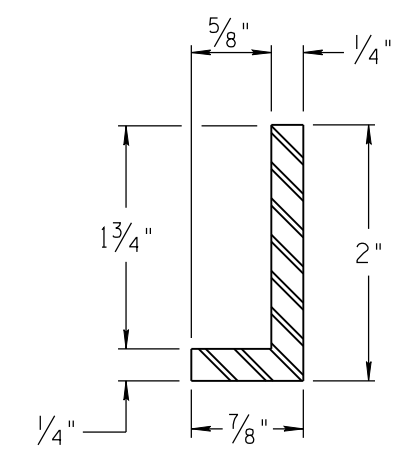
NO	DESCRIPTION OF REVISIONS	MADE BY	DATE
1	2012 ORIGINAL ISSUE - NEW DRAWING	C. COLE	03/13
2	RE-DESIGN, TO ACCOMMODATE NEW MANUFACTURER LID DESIGNS.	C. COLE	10/13



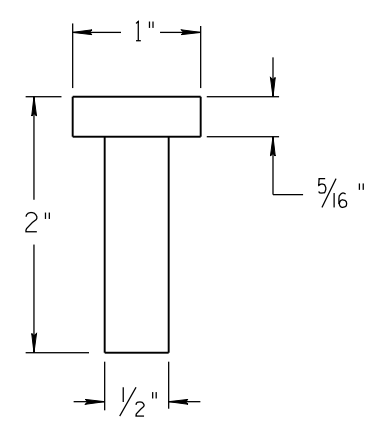
LID
Bottom View



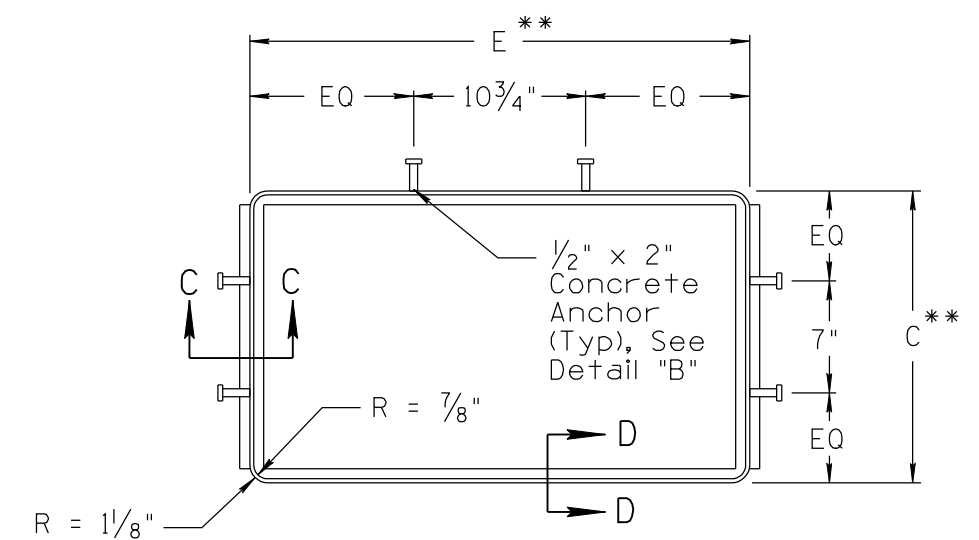
SECTION C-C
STEEL FRAME



SECTION D-D
STEEL FRAME



DETAIL B
CONCRETE ANCHOR



STEEL FRAME DETAIL

** See Sheet 1 of 3 for Alpha Dimensions

NOT TO SCALE

DESIGN APPROVED	ARIZONA DEPARTMENT OF TRANSPORTATION INTERMODAL TRANSPORTATION DIVISION TRAFFIC SIGNALS AND LIGHTING STANDARD DRAWINGS	REVISION 10/13
APPROVED FOR DISTRIBUTION		DRAWING NO. T.S. 1-11
PRECAST HEAVY DUTY LIGHTING NO. 4 AND NO. 6 PULL BOX		SHEET NO. 3 OF 3