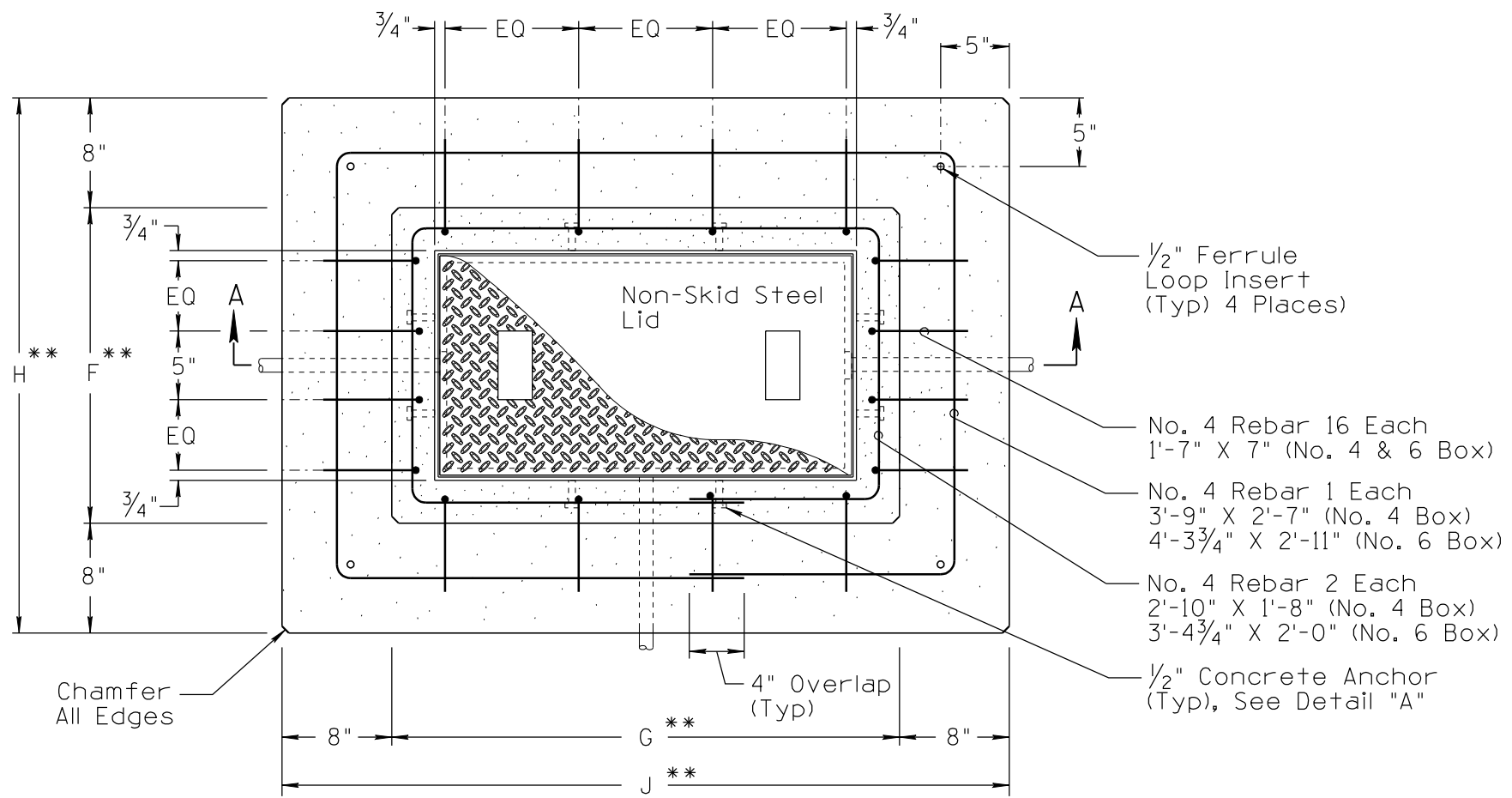
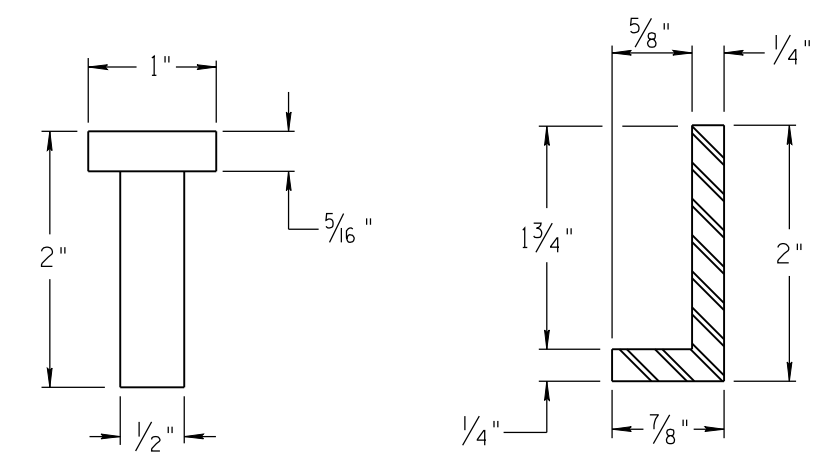


NO	DATE	MADE BY	DESCRIPTION OF REVISIONS
3	09/11	C. COLE	
4			

NO	DATE	MADE BY	DESCRIPTION OF REVISIONS
1	09/11	C. COLE	NEW STANDARD

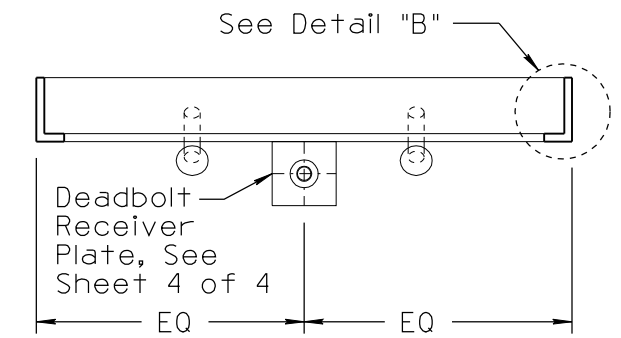


PLAN VIEW

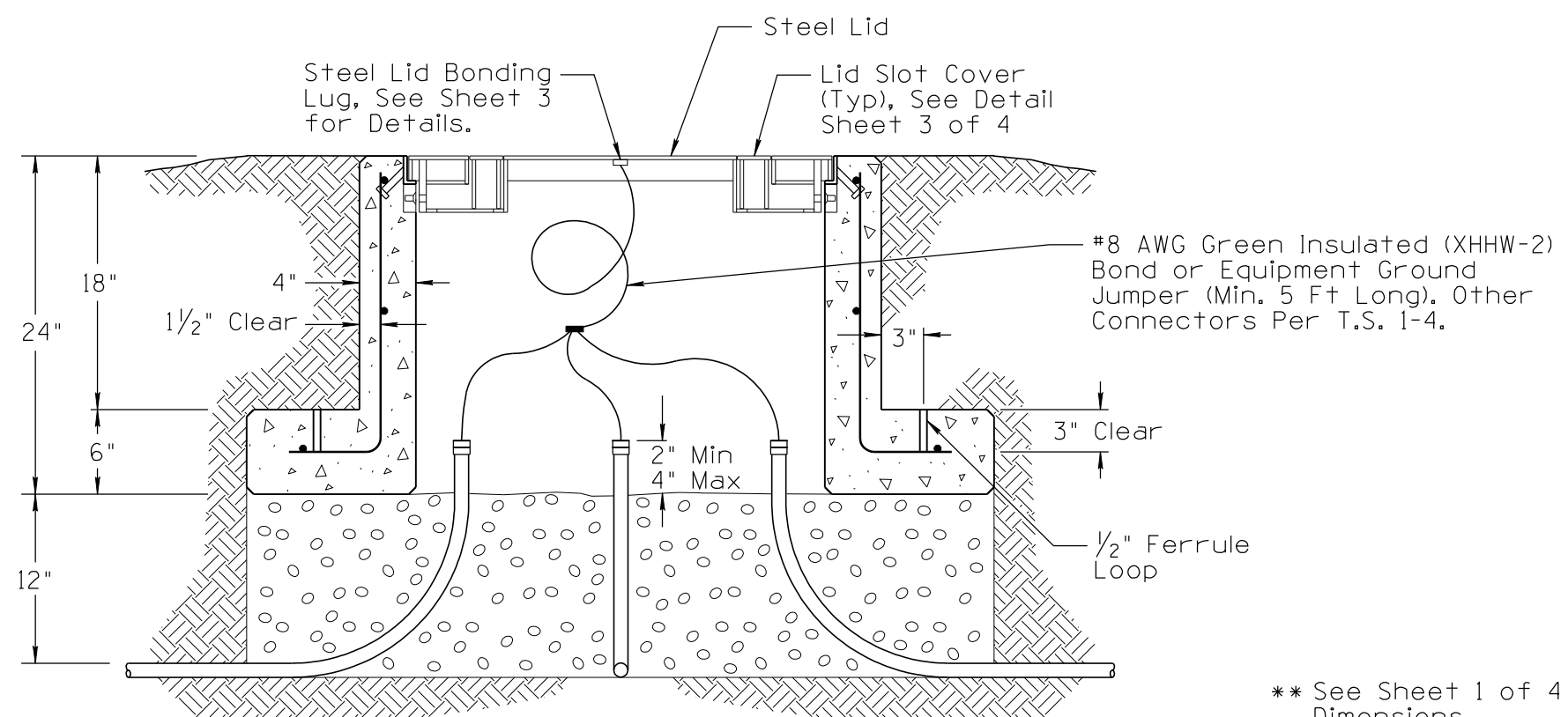


DETAIL A
CONCRETE ANCHOR

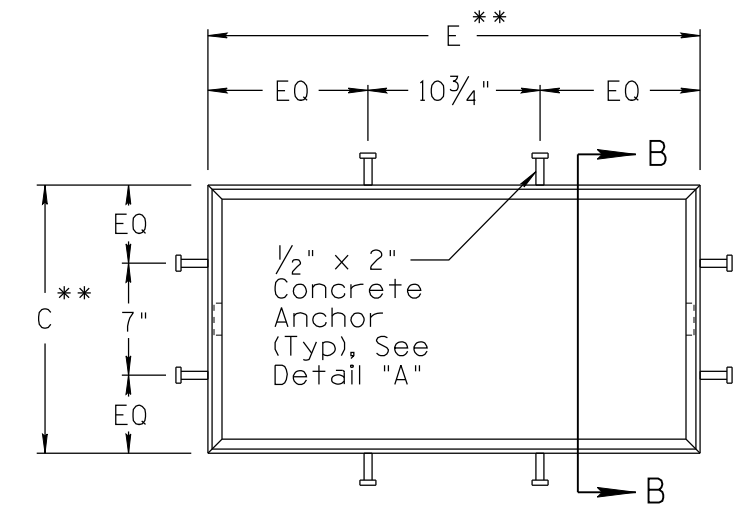
DETAIL B
STEEL FRAME



SECTION B-B



SECTION A-A



STEEL FRAME DETAIL

** See Sheet 1 of 4 for Alpha Dimensions

NOT TO SCALE

DESIGN APPROVED	ARIZONA DEPARTMENT OF TRANSPORTATION INTERMODAL TRANSPORTATION DIVISION TRAFFIC SIGNALS AND LIGHTING STANDARD DRAWINGS	REVISION 09/11
APPROVED FOR DISTRIBUTION		DRAWING NO. T.S. 1-11
HEAVY DUTY LIGHTING NO. 4 AND NO. 6 PULL BOX		SHEET NO. 2 OF 4