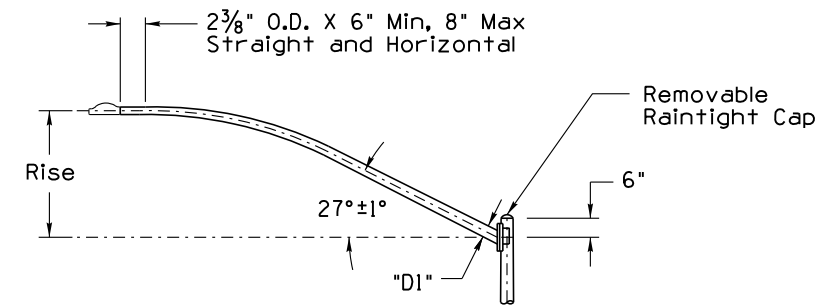
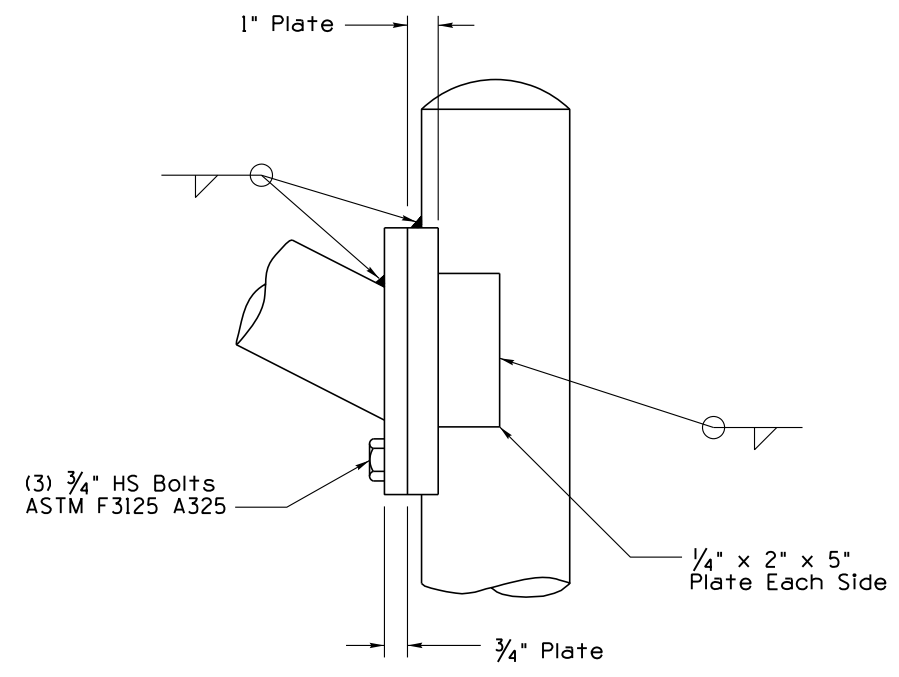
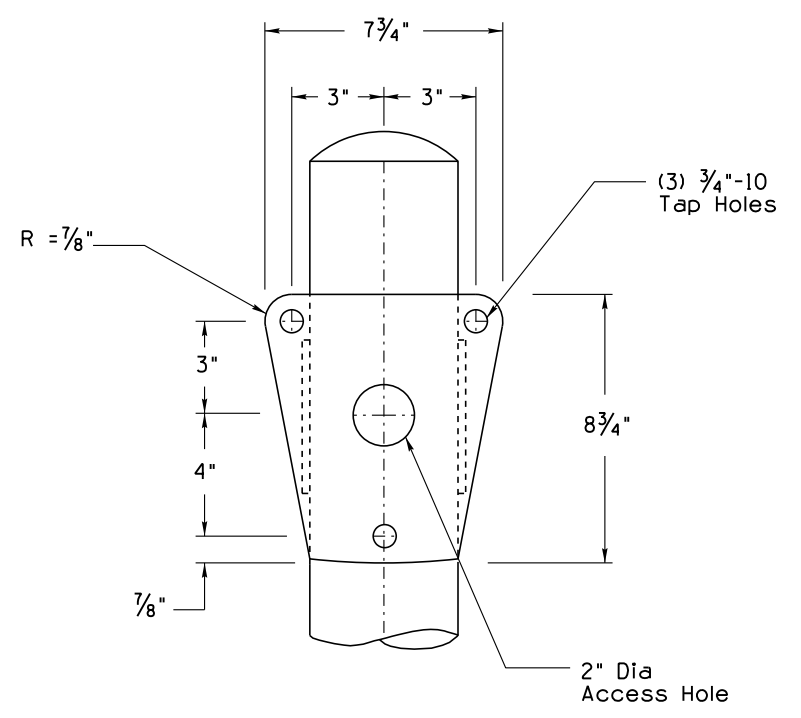
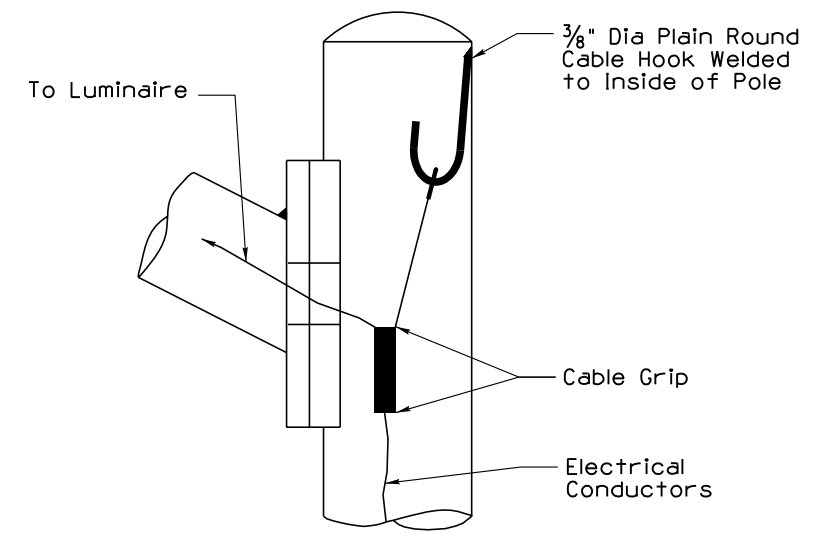


Note to Designer: The information presented in this Standard Drawing has been prepared in accordance with recognized engineering principles and is for general use. It should not be used for specific application without competent professional examination and verification of its suitability and applicability by a licensed professional engineer. Comments within the inner border line shall not be altered.



Arm Length	Rise	"D1" Min	Pole Application
6'	2'-0"	3 1/4"	G, R, O, W
8'	2'-6"	3 1/2"	
10'	3'-4"	3 3/4"	
12'	4'-3"	4"	
15'	4'-9"	4 1/2"	
18'	5'-9"	4 5/8"	
20'	5'-9"	5 1/4"	

DETAIL A
(Tapered Luminaire Mast Arm)



MAST ARM CONNECTION DETAIL

STANDARDS ENGINEER A. ALZUBI	ARIZONA DEPARTMENT OF TRANSPORTATION INFRASTRUCTURE DELIVERY AND OPERATIONS DIVISION TRAFFIC SIGNAL & LIGHTING STANDARD DRAWING	
RECOMMENDED FOR APPROVAL GROUP MANAGER M. HANNA	STEEL MAST ARM DETAILS FOR LUMINAIRE AND SIGNAL ARMS TO 20'	DRAWING NO. T-SL 4.29
APPROVED STANDARDS COMMITTEE APPROVED FOR DISTRIBUTION	04/19 DATE	