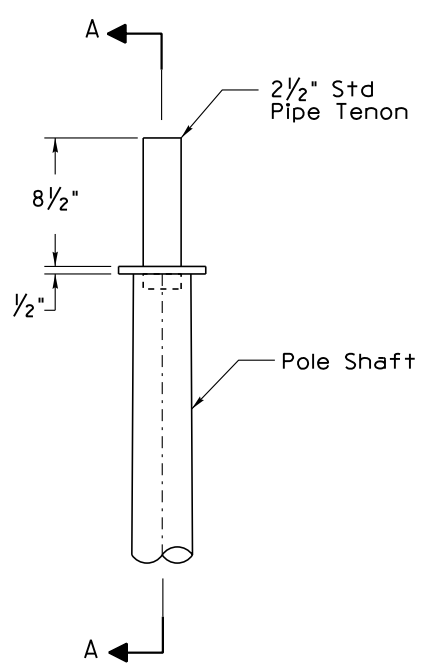
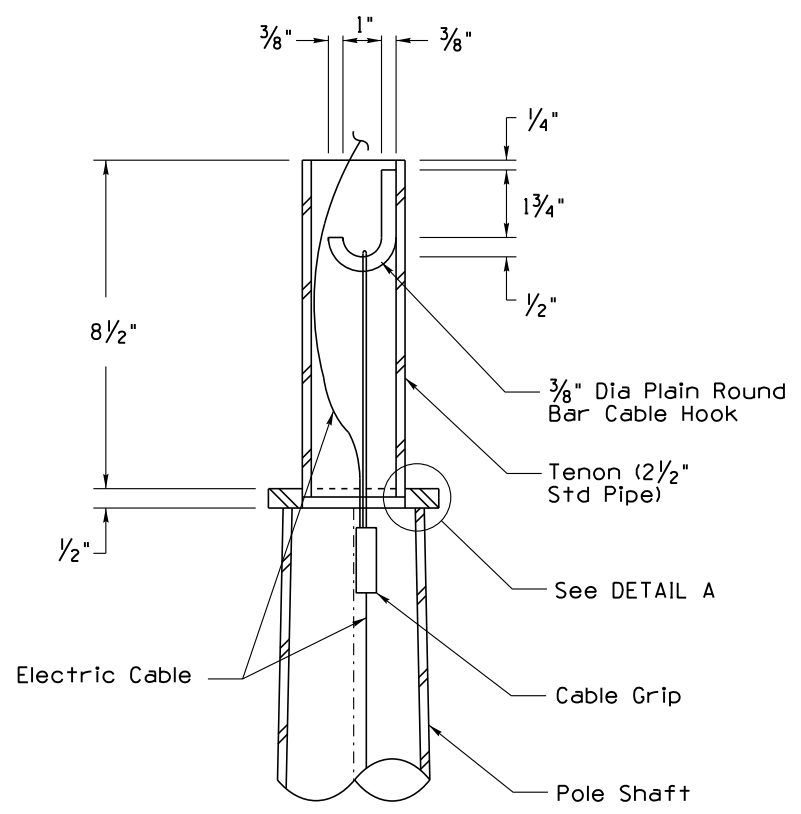


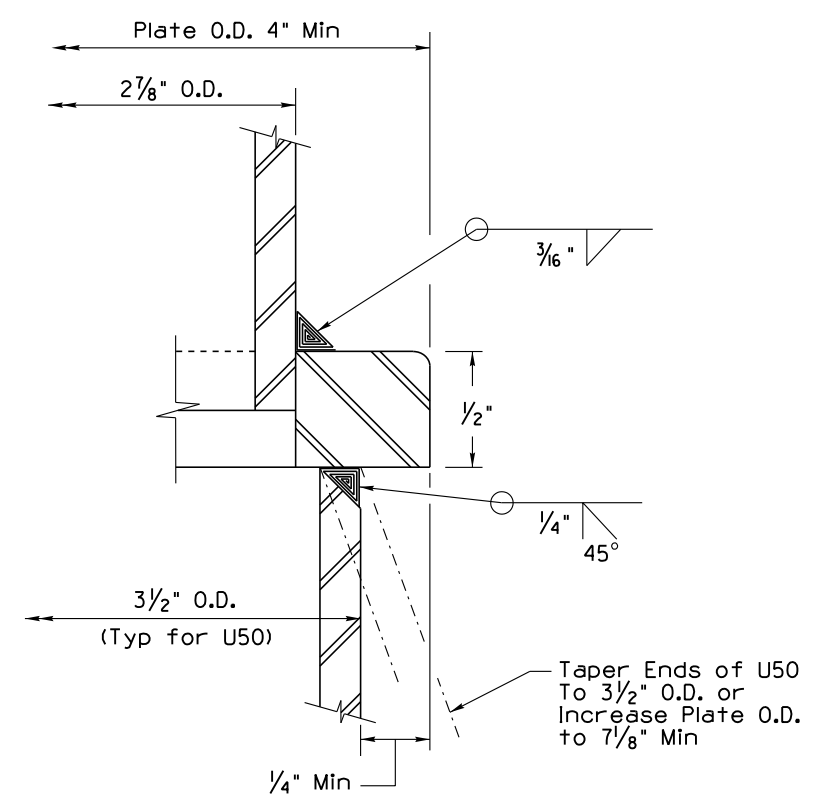
Note to Designer: This Standard Drawing has been prepared in accordance with recognized engineering principles and is for general use. It should not be used for specific application without competent professional examination and verification of its suitability and applicability by a licensed professional engineer. Comments within the inner border line shall not be altered.



PIPE TENON DETAIL



SECTION A-A



DETAIL A

PRIOR DISTRIBUTION DATE

STANDARDS ENGINEER A. ALZUBI	ARIZONA DEPARTMENT OF TRANSPORTATION INFRASTRUCTURE DELIVERY AND OPERATIONS DIVISION TRAFFIC SIGNAL & LIGHTING STANDARD DRAWING	
RECOMMENDED FOR APPROVAL GROUP MANAGER M. HANNA	TYPE U POLE (ROUND POLE WITH SQUARE BASE) PIPE TENON DETAILS	DRAWING NO. T-SL 4.24
APPROVED STANDARDS COMMITTEE APPROVED FOR DISTRIBUTION		DATE 04/19