

NO. 1 2010 EDITION
 DESCRIPTION OF REVISIONS
 MADE BY C. COLE
 DATE 03/10
 NO. 3 4
 DESCRIPTION OF REVISIONS
 MADE BY
 DATE
 NO. 1 2010 EDITION

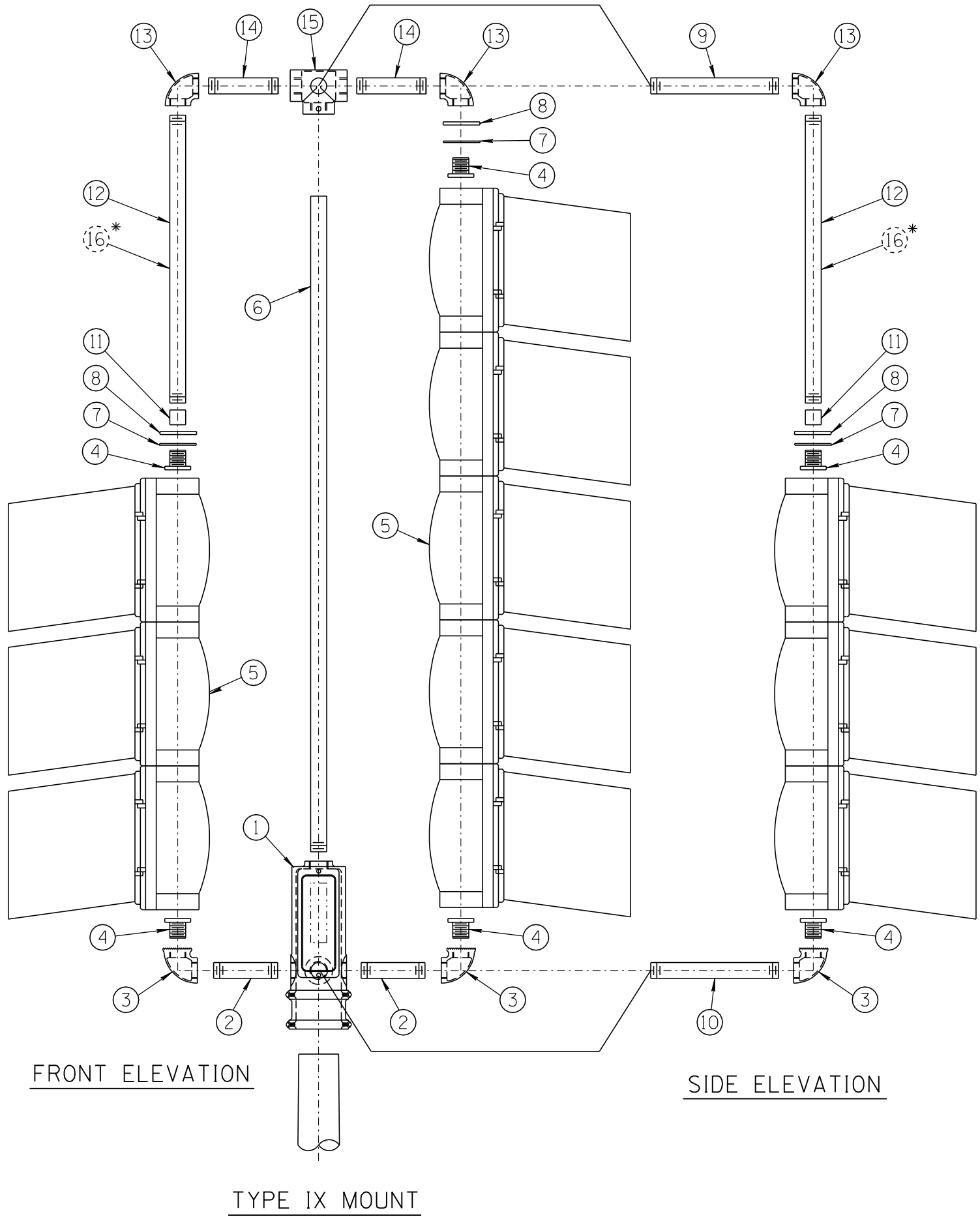


Table For Item (6) Only

| Signal Face | C | Q | F/R | M | H | G |
|-------------------|-----|---------|---------|---------|-----|-----|
| (Typ) Pipe Length | 21" | 61 1/2" | 34 1/2" | 34 1/2" | 48" | 48" |

Threads On One End Only

Table For Item (12) Only

| SIGNAL FACES COMBINATION | C | Q | F/R | M | H | G |
|--------------------------|---------|---------|---------|---------|---------|---------|
| C | ∅ | 40 1/2" | 13 1/2" | 13 1/2" | 27" | 27" |
| Q | 40 1/2" | ∅ | 27" | 27" | 13 1/2" | 13 1/2" |
| F/R | 13 1/2" | 27" | ∅ | ∅ | 13 1/2" | 13 1/2" |
| M | 13 1/2" | 27" | ∅ | ∅ | 13 1/2" | 13 1/2" |
| H | 27" | 13 1/2" | 13 1/2" | 13 1/2" | ∅ | ∅ |
| G | 27" | 13 1/2" | 13 1/2" | 13 1/2" | ∅ | ∅ |

Table To Be Used For Finding Pipe Length

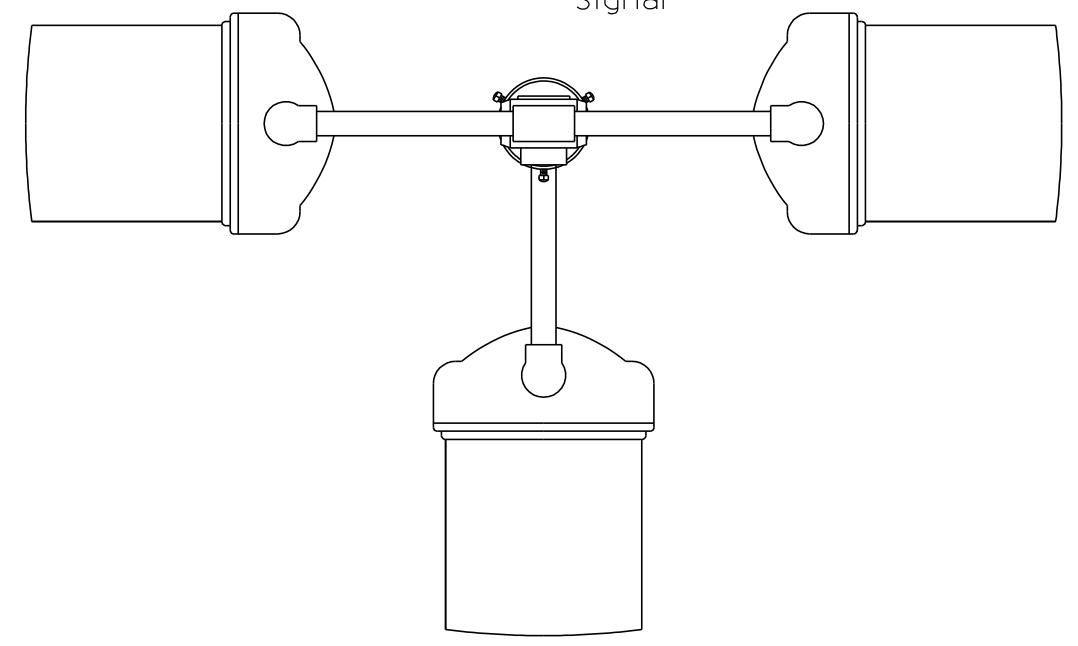
NOTE:

1. Lock nut is required in place of lock nipple when "F" face and "M" face or "R" face are hung on same frame.

LIST OF MATERIALS

| Item | Qty | Description |
|-------|-----|--|
| (1) | 1 | Pole Top Mounted Terminal Compartment (T.S. 10-4-2) |
| (2) | 2 | 1/2" Pipe, (Typ) 6" Long |
| (3) | 3 | 90° Elbow With Locking Device (T.S. 10-1-2) |
| (4) | 6 | 1/2" Lock Nipple, See Notes 1 on this sheet and 12 on T.S. 9-0 |
| (5) | 3 | Signal, See Plans |
| (6) | 1 | 1/2" Pipe, See Table |
| (7) | 3 | Neoprene Washer or Gasket |
| (8) | 3 | Flat Washer |
| (9) | 1 | 1/2" Pipe, (Typ) 12 1/2" Long |
| (10) | 1 | 1/2" Pipe, (Typ) 12" Long |
| (11) | 2 | 1/2" Pipe Coupling, As Required |
| (12) | 2 | 1/2" Pipe, (Typ) See Table |
| (13) | 3 | 90° Elbow |
| (14) | 2 | 1/2" Pipe, (Typ) 6 1/2" Long |
| (15) | 1 | Tee With Side Outlet, Drill & Tap For Setscrew |
| (16)* | 1 | 1/2" Pipe, (Typ) 49" Long for Pedestrian Signal |

* Special Pipe Length for Pedestrian Signal



TYPICAL MOUNTING ORIENTATION PLAN
 (See Notes 6 and 7 on T.S. 9-0)

| | | |
|---|---|-------------------------|
| DESIGN APPROVED SIGNATURE | ARIZONA DEPARTMENT OF TRANSPORTATION INTERMODAL TRANSPORTATION DIVISION TRAFFIC SIGNALS AND LIGHTING STANDARD DRAWINGS | REVISION 03/10 |
| APPROVED FOR DISTRIBUTION ON FILE | TYPE IX MOUNTING ASSEMBLY | DRAWING NO. T.S. 9-7 |
| | | SHEET NO. 1 OF 1 |

NOT TO SCALE