

NO. 1 2010 EDITION
 DESCRIPTION OF REVISIONS
 MADE BY C. COLE
 DATE 03/10
 NO. 3 4
 DESCRIPTION OF REVISIONS
 MADE BY
 DATE
 NO.

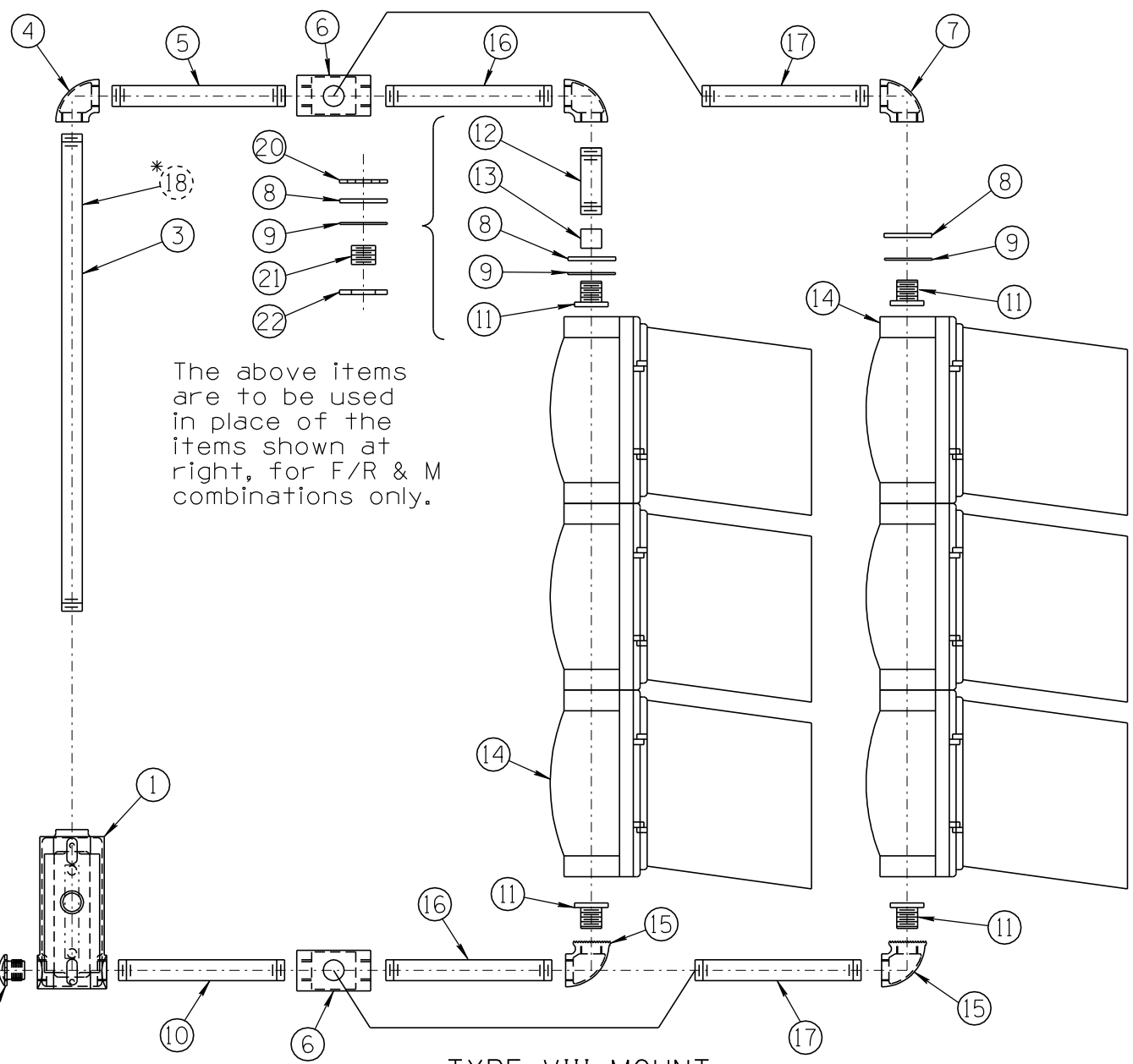
Table For Item (3) Only

Signal Face	C	Q	F/R	M	H	G
(Typ) Pipe Length	21"	61 1/2"	34 1/2"	34 1/2"	48"	48"
	Threads On One End Only					

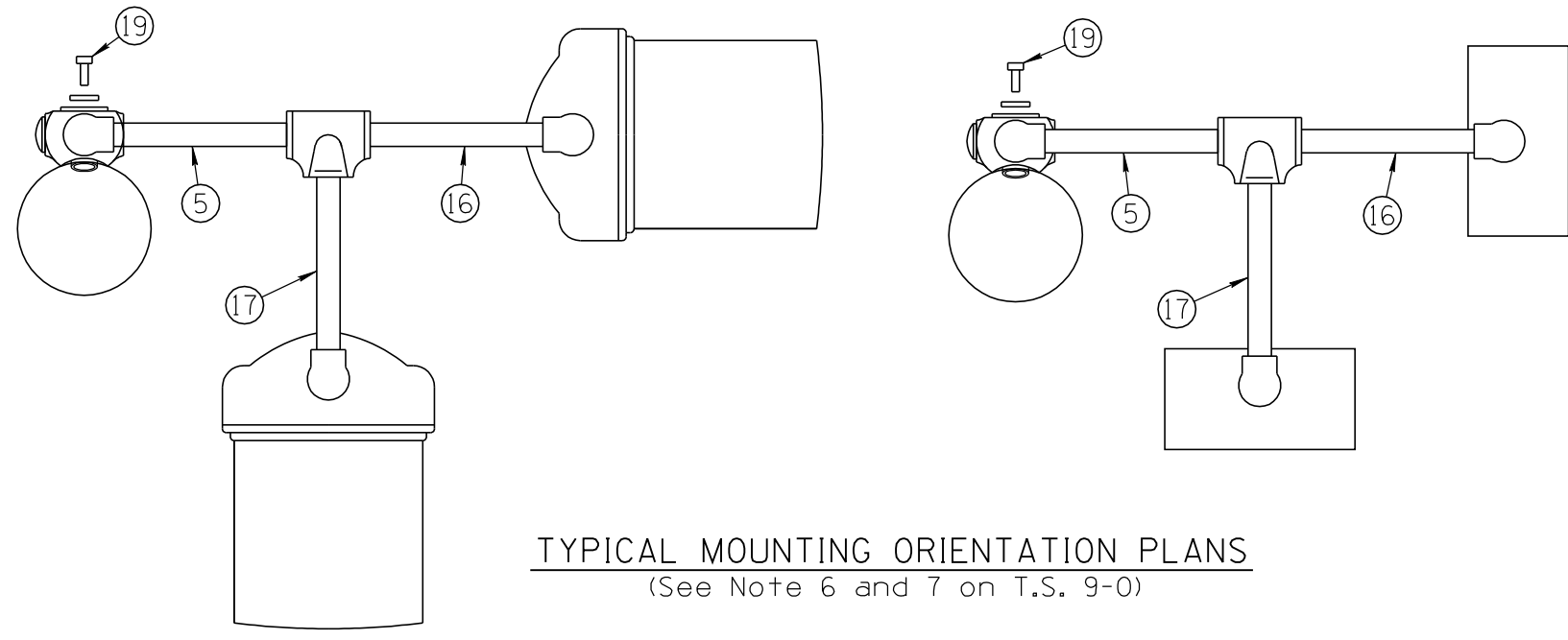
Table For Item (12) Only

SIGNAL FACES COMBINATION	SIGNAL FACE					
	C	Q	F/R	M	H	G
C	Ø	40 1/2"	13 1/2"	13 1/2"	27"	27"
Q	40 1/2"	Ø	27"	27"	13 1/2"	13 1/2"
F/R	13 1/2"	27"	Ø	Ø	13 1/2"	13 1/2"
M	13 1/2"	27"	Ø	Ø	13 1/2"	13 1/2"
H	27"	13 1/2"	13 1/2"	13 1/2"	Ø	Ø
G	27"	13 1/2"	13 1/2"	13 1/2"	Ø	Ø

Table To Be Used For Finding Pipe Length



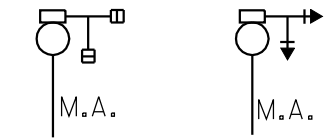
TYPE VIII MOUNT



TYPICAL MOUNTING ORIENTATION PLANS
 (See Note 6 and 7 on T.S. 9-0)

LIST OF MATERIALS		
Item	Qty	Description
(1)	1	Terminal Compartment For Side Mounting (T.S. 10-4-1)
(2)	1	Ornamental Cap (See T.S. 10-1-6)
(3)	1	1 1/2" Pipe, See Table
(4)	1	1 1/2" 90° Elbow, Drill & Tap For Setscrew
(5)	1	1 1/2" Pipe, (Typ) 12 1/2" Long
(6)	1	1 1/2" Pipe Tee
(7)	2	90° Elbow
(8)	2	Flat Washer
(9)	2	Neoprene Washer or Gasket
(10)	1	1 1/2" Pipe, (Typ) 12" Long
(11)	4	1 1/2" Lock Nipple, See Note No. 12, T.S. 9-0
(12)	1	1 1/2" Pipe, See Table
(13)	1	1 1/2" Coupling, As Required
(14)	2	Signal, See Plans
(15)	2	90° Elbow With Locking Device (T.S. 10-1-2)
(16)	2	1 1/2" Pipe, (Typ) 12" Long
(17)	2	1 1/2" Pipe, (Typ) 12" Long
(18)	1	1 1/2" Pipe, (Typ) 9 1/2" Long For Pedestrian Signal, Only
(19)	2	1/2" x 2" Galvanized Steel Bolt 13-UNC With Flat Washer And Lock Washer
(20)	1	Conduit Lock Nut (For "F", "M" & "R" Combination Only)
(21)	1	1 1/2" Pipe, (Typ) 3" Long. (For "F", "M" & "R" Combination Only)
(22)	1	Malleable Hex Nut (For "F", "M" & "R" Combination Only)

* Special Pipe Length For Use Only With Ped. Signal Single Head Units



PLAN SYMBOLS

NOT TO SCALE

DESIGN APPROVED SIGNATURE	ARIZONA DEPARTMENT OF TRANSPORTATION INTERMODAL TRANSPORTATION DIVISION TRAFFIC SIGNALS AND LIGHTING STANDARD DRAWINGS	REVISION 03/10
APPROVED FOR DISTRIBUTION ON FILE	TYPE VIII MOUNTING ASSEMBLY	DRAWING NO. T.S. 9-6
		SHEET NO. 1 OF 1