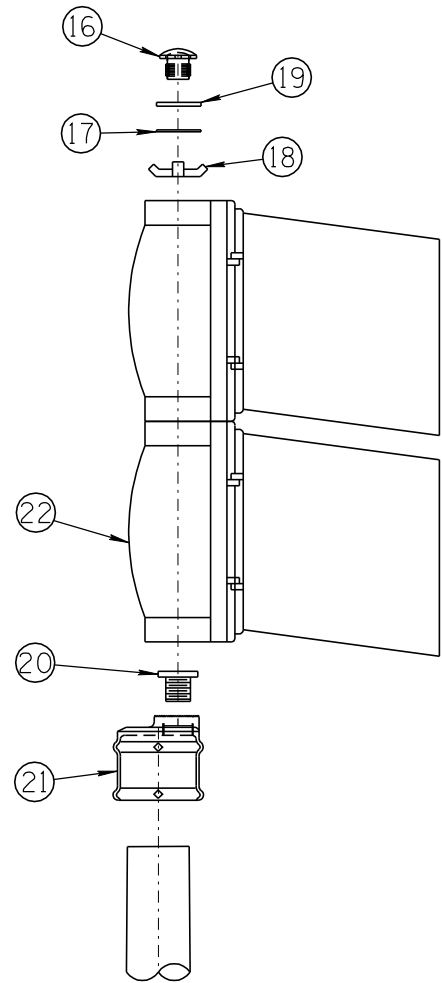
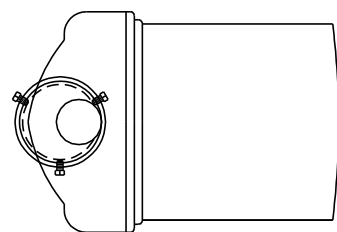


### TYPE III MOUNT

LIST OF MATERIALS		
Item	Qty	Description
⑰	1	Ornamental Cap (See T.S. 10-1-6)
⑱	1	Neoprene Washer
⑲	1	Conduit Locknut or Gasket
⑳	1	Flat Washer
㉑	1	1½" Lock Nipple 1⅛" Long
㉒	1	Pole Top Offset Mount (T.S. 10-1-3)
㉓	1	Signal, See Plans



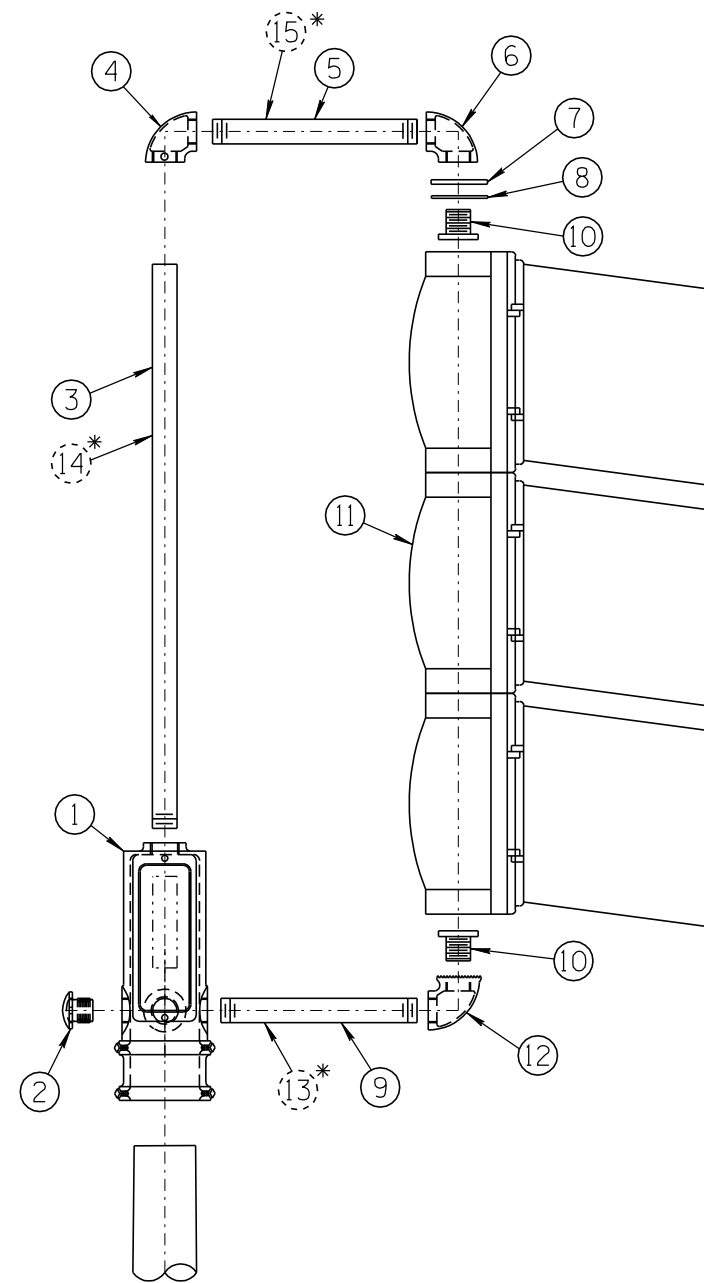
TYPE III MOUNT



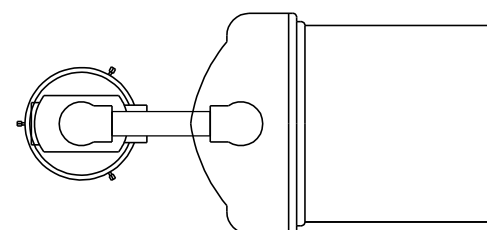
### TYPE IV MOUNT

LIST OF MATERIALS		
Item	Qty	Description
①	1	Pole Top Mounted Terminal Compartment (T.S. 10-4-2)
②	1	Ornamental Cap (See T.S. 10-1-6)
③	1	1½" Center Pipe, See Table
④	1	90° Elbow, Drill & Tap For Setscrew
⑤	1	1½" Pipe, (Typ) 12½" Long for Pedestrian & Signal Heads
⑥	1	90° Elbow
⑦	1	Flat Washer
⑧	1	Neoprene Washer or Gasket
⑨	1	1½" Pipe, (Typ) 12" Long
⑩	2	1½" Lock Nipple, See Note 12 T.S. 9-0
⑪	1	Signal, See Plans
⑫	1	90° Elbow With Locking Device (T.S. 10-1-2)
* ⑬	1	1½" Pipe, (Typ) 12" Long
* ⑭	1	1½" Pipe, (Typ) 9½" Long For Pedestrian Signal, For Illuminated Message Units Use 23⅝" Long
* ⑮	1	1½" Pipe, (Typ) 12½" Long

\* Pipe Lengths For Use With Pedestrian Signal Units, or Illuminated Message Units.

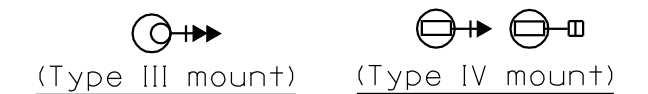


TYPE IV MOUNT



Signal Face	Table For Item ③ Only					
	C	Q	F/R	M	H	G
(Typ) Pipe Length	21"	61½"	34½"	34½"	48"	48"

Threads On One End Only



### PLAN SYMBOLS

### TYPICAL MOUNTING ORIENTATION PLANS

(See Notes 6 and 7 on T.S. 9-0)

NOT TO SCALE

DESIGN APPROVED	ARIZONA DEPARTMENT OF TRANSPORTATION INTERMODAL TRANSPORTATION DIVISION TRAFFIC SIGNALS AND LIGHTING STANDARD DRAWINGS	REVISION 03/10
<b>SIGNATURE</b>		DRAWING NO. T.S. 9-2
APPROVED FOR DISTRIBUTION	TYPE III AND IV MOUNTING ASSEMBLIES	SHEET NO. 1 OF 1
<b>ON FILE</b>		

NO. 1 2010 EDITION  
 MADE BY C. COLE  
 DATE 03/10  
 NO. 3 4  
 DESCRIPTION OF REVISIONS  
 MADE BY  
 DATE  
 DESCRIPTION OF REVISIONS