

NO. 1 2010 EDITION

DESCRIPTION OF REVISIONS

NO. 3 4

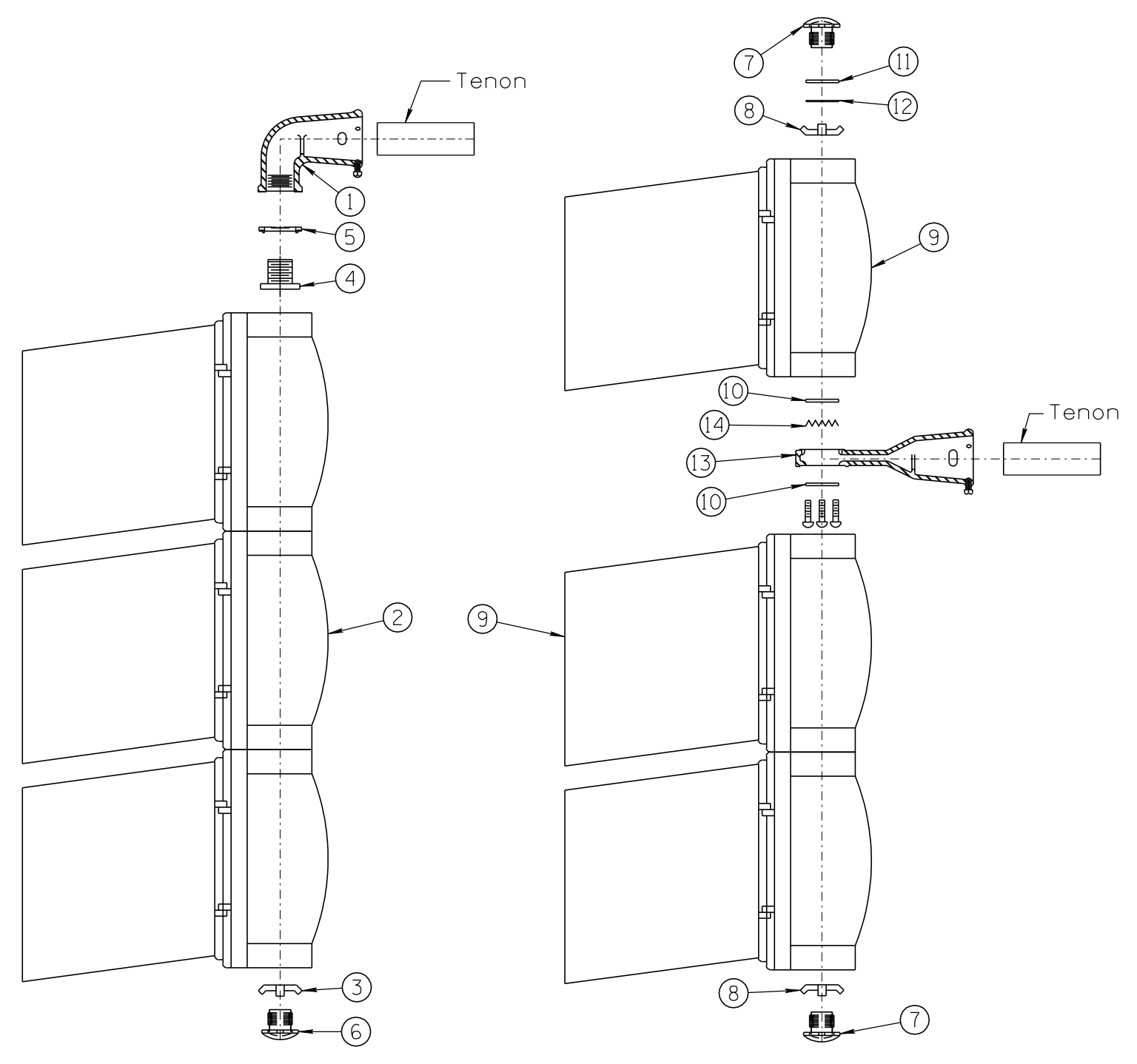
DATE 03/10

MADE BY C. COLE

DESCRIPTION OF REVISIONS

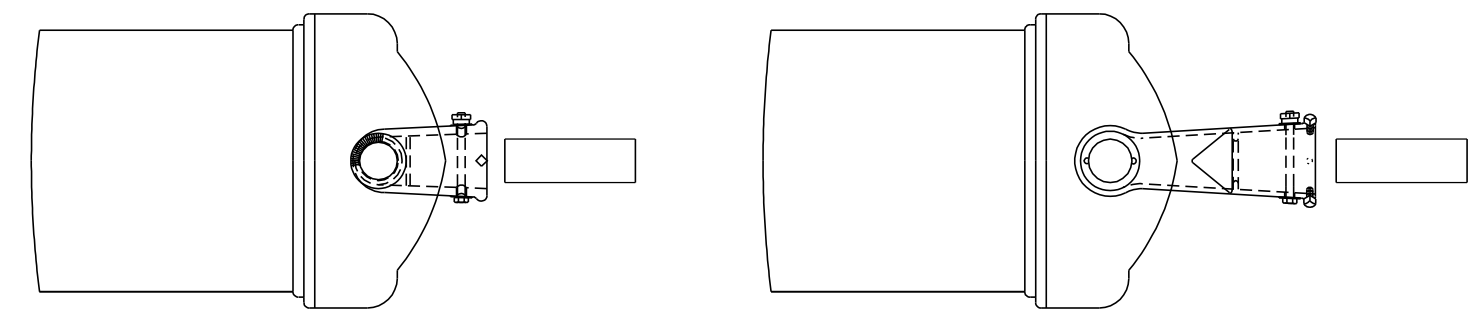
MADE BY

DATE



TYPE I MOUNT

TYPE II MOUNT



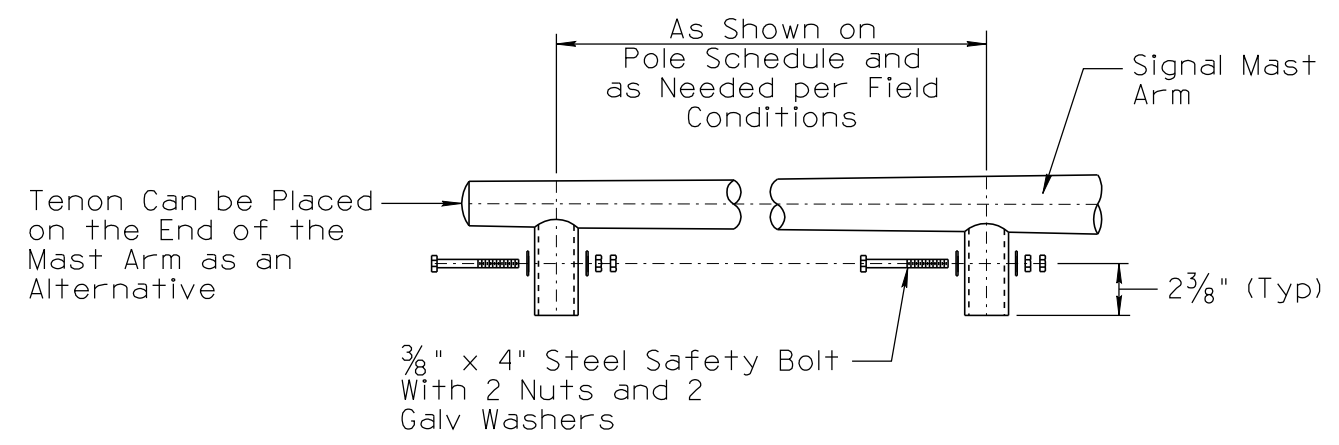
TYPICAL MOUNTING ORIENTATION PLANS

TYPE I MOUNT

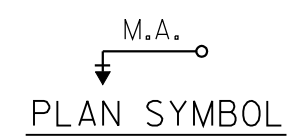
| LIST OF MATERIALS | | |
|-------------------|-----|--|
| Itm | Qty | Description |
| ① | 1 | Mast Arm Plumbizer With Locking Device (See T.S. 10-2) |
| ② | 1 | Signal, See Plans |
| ③ | 1 | Conduit Locknut |
| ④ | 1 | 1 1/2" x 1 3/4" Lock Nipple |
| ⑤ | 1 | Lock Ring (See T.S. 10-1-4) |
| ⑥ | 1 | Ornamental Cap (See T.S. 10-1-6) |

TYPE II MOUNT

| LIST OF MATERIALS | | |
|-------------------|-----|---|
| Itm | Qty | Description |
| ⑦ | 2 | Ornamental Cap (See T.S. 10-1-6) |
| ⑧ | 2 | Conduit Locknut |
| ⑨ | 1 | Signal, See Plans |
| ⑩ | 2 | Attaching Washers W/ 3-1/4"-20 UNC x 3/2" Carriage Bolts and Nuts |
| ⑪ | 1 | Flat Washer |
| ⑫ | 1 | Neoprene Washer or Gasket |
| ⑬ | 1 | Elevator Plumbizer (See T.S. 10-2) |
| ⑭ | 1 | Lock Washer |



TENON DETAIL



| | | |
|---------------------------|---|----------------------|
| DESIGN APPROVED | ARIZONA DEPARTMENT OF TRANSPORTATION INTERMODAL TRANSPORTATION DIVISION TRAFFIC SIGNALS AND LIGHTING STANDARD DRAWINGS | REVISION 03/10 |
| SIGNATURE | | DRAWING NO. T.S. 9-1 |
| APPROVED FOR DISTRIBUTION | TYPE I AND II MOUNTING ASSEMBLIES | SHEET NO. 1 OF 1 |

NOT TO SCALE