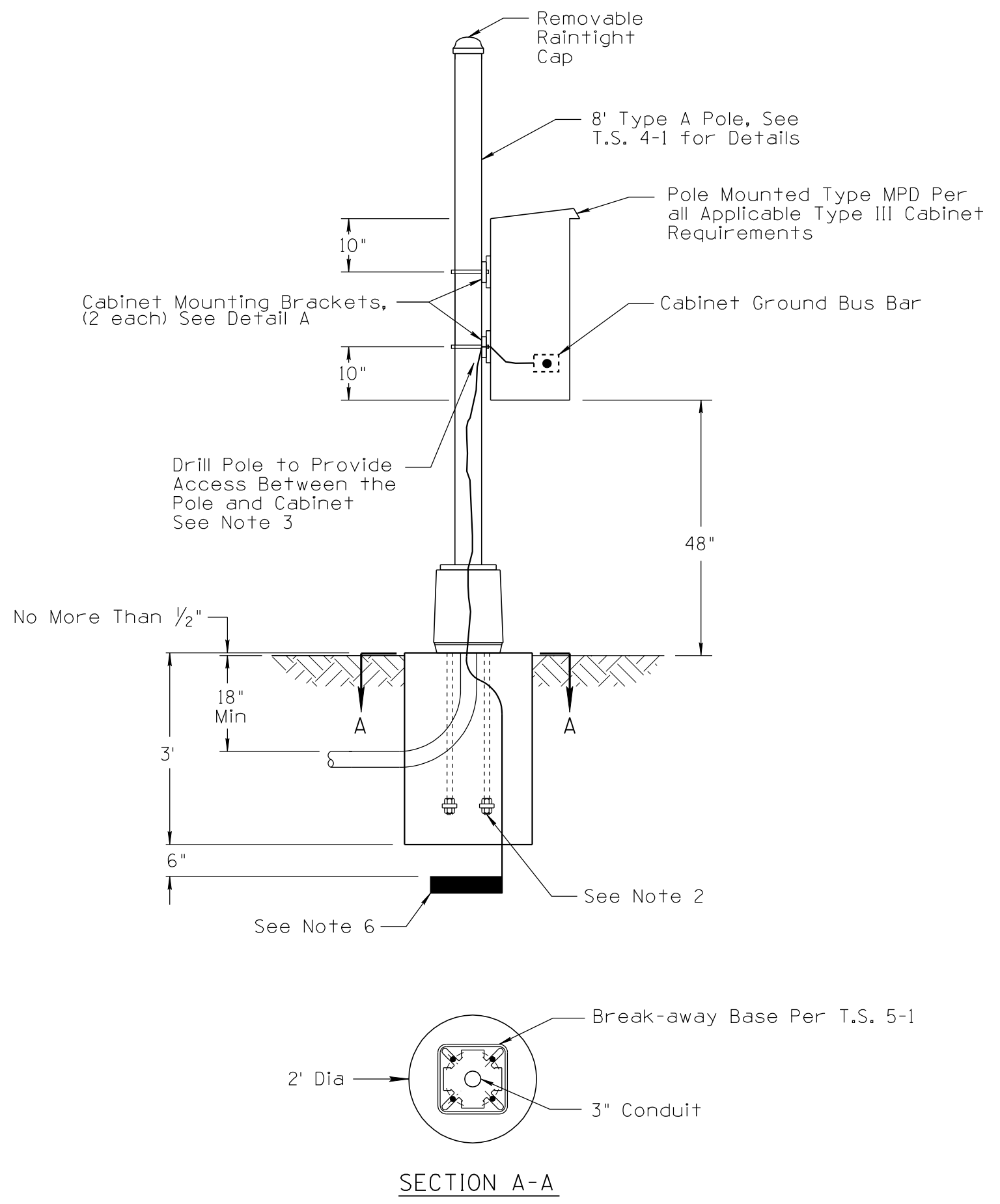
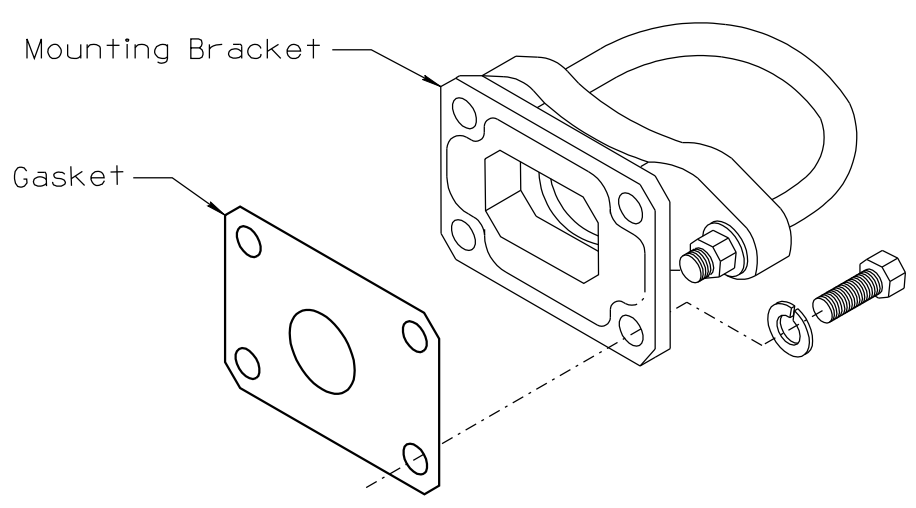


NO	DATE	MADE BY	DESCRIPTION OF REVISIONS
1	2010 EDITION	C. COLE	
2			
3	03/10		
4			



NOTES:

1. All materials and construction shall conform to the requirements of the Specifications..
2. See T.S. 4-23 four anchor bolt details (Type A Pole).
3. Gasketing shall be provided on all doors and openings in the cabinet and between the cabinet pole and mounting brackets to provide a weather type seal that is consistent with its 3R rating.
4. Use heliarc welding method for all external and internal continuous welds. Welds shall be free of cracks, blow holes and other irregularities. Make inside and outside the insides and outsides edges of cabinet shall be free of burrs and provide a smooth, uniform and natural aluminum finish.
5. The cabinet shall be provided with double flanged door openings on all four (4) sides to increase strength around the openings and to provide a better seal.
6. A 25' coil of No. 8 AWG bare copper conductor or 14" square copper ground plate shall be installed before the concrete is poured. The coil or plate shall be connected to the pole grounding lug in the hand hole and to the cabinet ground bus. The ground or coil shall be covered with 6" of fill. Drill hole in bottom of cabinet and pole directly below cabinet. Run ground conductor out of cabinet and back inside pole. Seal holes in an acceptable manner.
7. Hinges shall be stainless steel and configured so they are vandal resistant.



DETAIL A
(Configuration Can Vary if Function is the Same)

NOT TO SCALE

DESIGN APPROVED	ARIZONA DEPARTMENT OF TRANSPORTATION INTERMODAL TRANSPORTATION DIVISION TRAFFIC SIGNALS AND LIGHTING STANDARD DRAWINGS	REVISION 03/10
SIGNATURE		DRAWING NO. T.S. 6-8
APPROVED FOR DISTRIBUTION	TYPE MPD CABINET POLE, BASE AND FOUNDATION INSTALLATION DETAILS	SHEET NO. 1 OF 1
ON FILE		