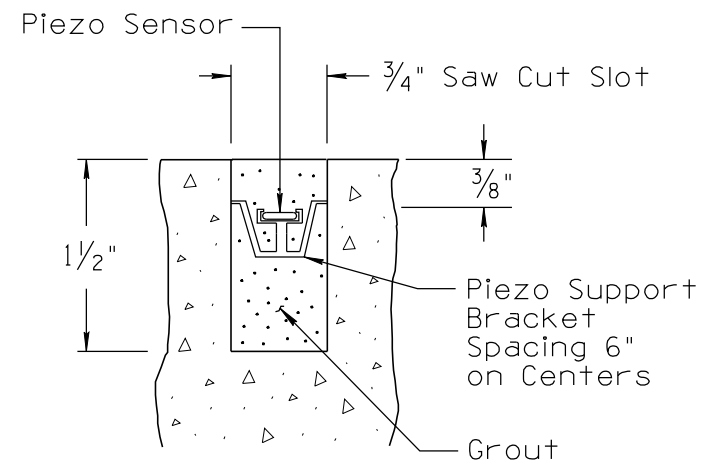
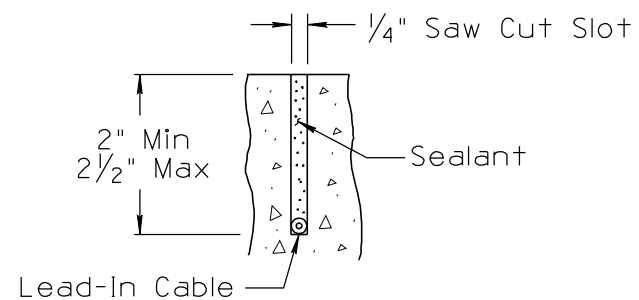


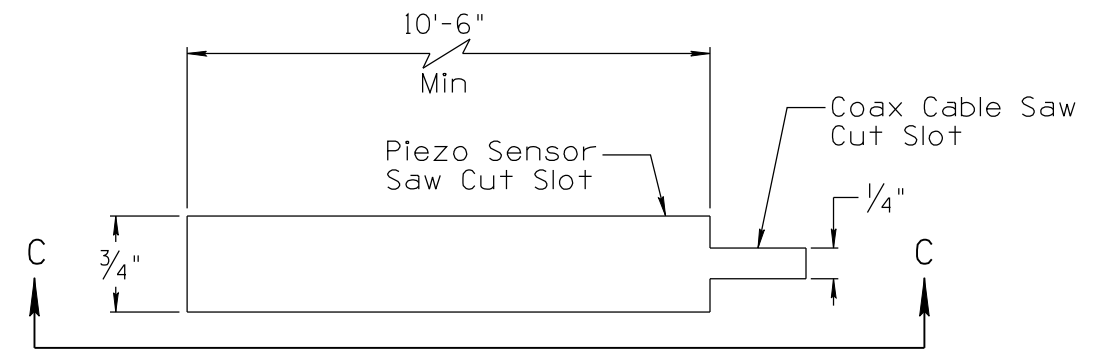
NO	DESCRIPTION OF REVISIONS	DATE	MADE BY
1	2010 EDITION	03/10	C. COLE
2	REVISED GRAPHICS	12/12	C.C./L.L.
3	REVISED SECTION D-D	03/15	L. LOPEZ
4			



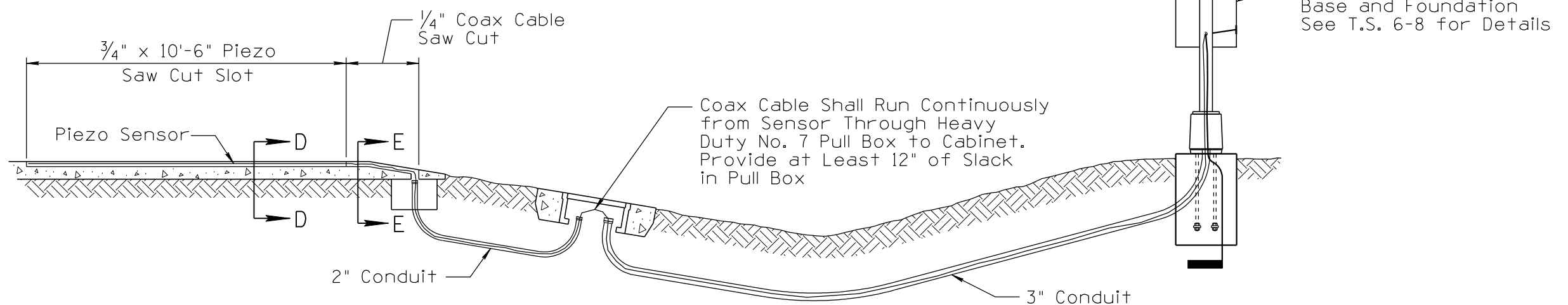
SECTION D-D
(Piezo Sensor Depth)



SECTION E-E
(Piezo Coax Cable Installation)



DETAIL A
(Saw Cut Plan View)



SECTION C-C
(Typical Installation Details for Piezo Assembly)

NOT TO SCALE

DESIGN APPROVED	ARIZONA DEPARTMENT OF TRANSPORTATION INTERMODAL TRANSPORTATION DIVISION TRAFFIC SIGNALS AND LIGHTING STANDARD DRAWINGS	REVISION 03/15
SIGNATURE		DRAWING NO. T.S. 6-4
APPROVED FOR DISTRIBUTION	ON FILE	SHEET NO. 3 OF 5
	DETAIL A PIEZOELECTRIC SENSOR DETAILS	