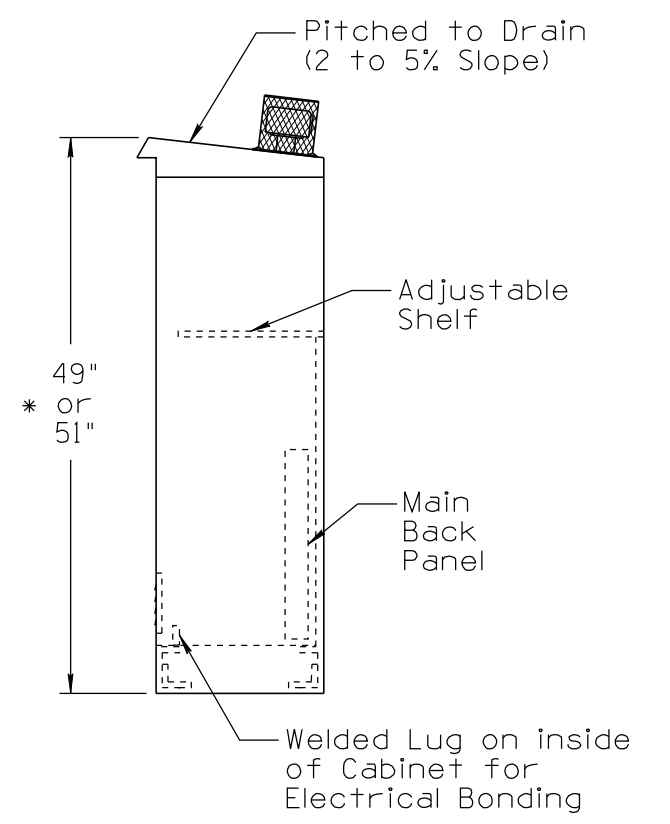
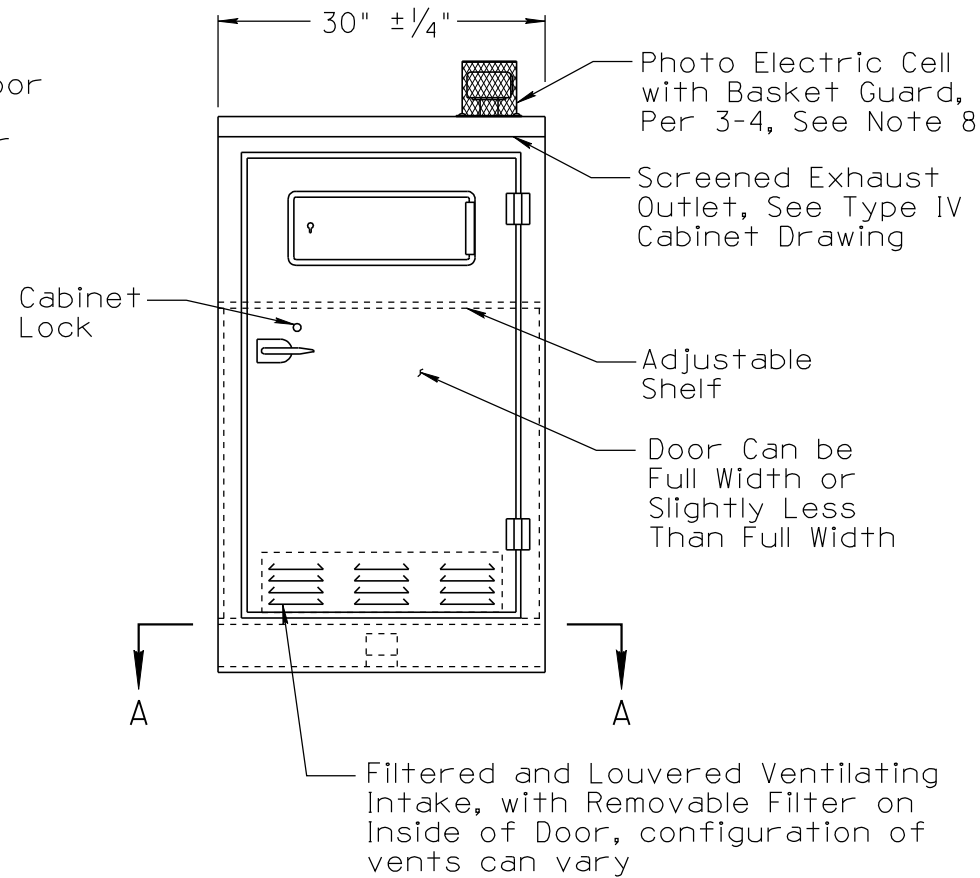
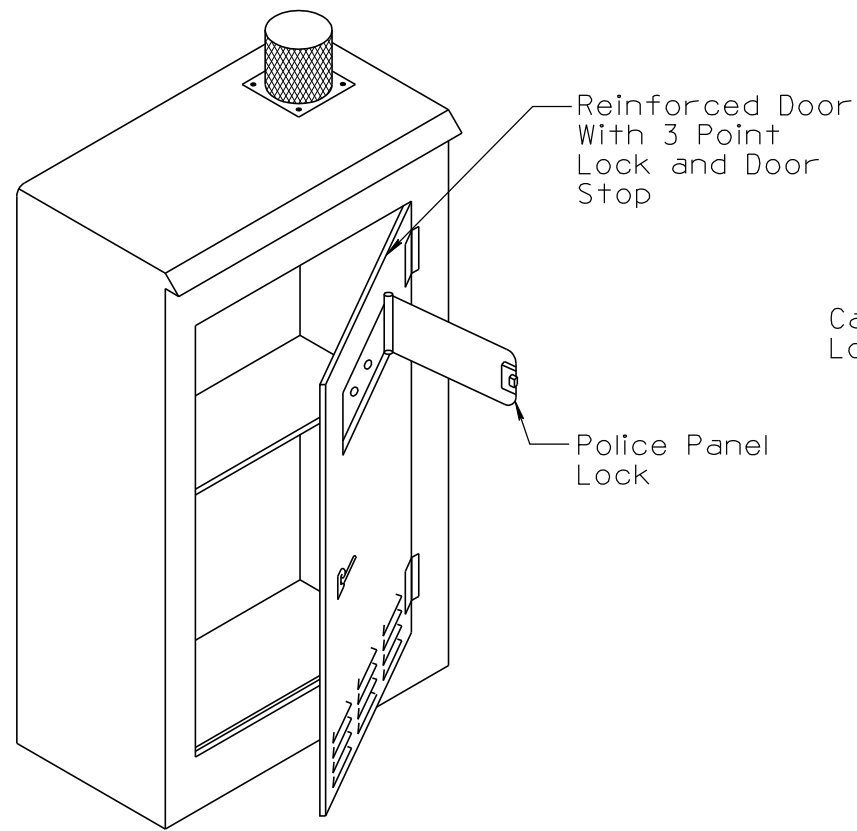
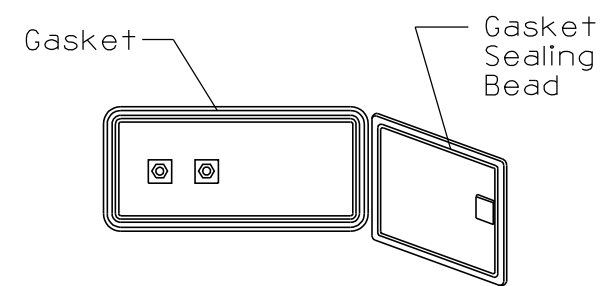


DATE: _____ MADE BY: _____ NO: 3 4
 DESCRIPTION OF REVISIONS: _____
 DATE: 03/10 MADE BY: C. COLE
 DESCRIPTION OF REVISIONS: _____
 2010 EDITION

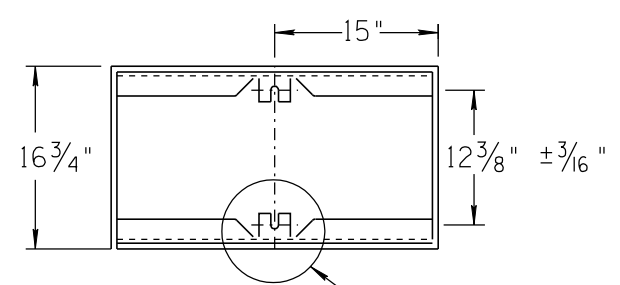


* Dimension Varies Between Econolite and Eagle



POLICE PANEL

(Can be Recessed or Projected)

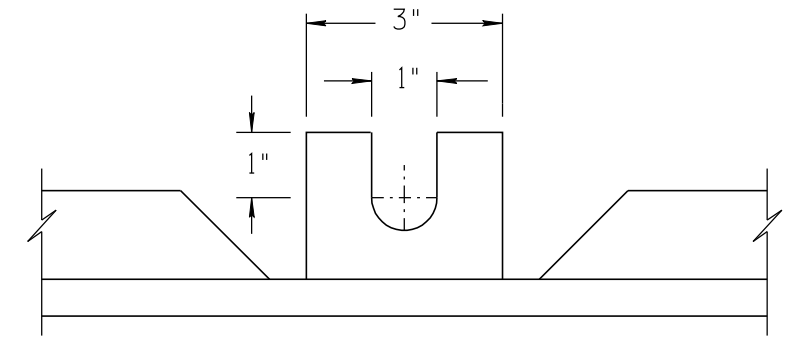


SECTION A-A

SEE ANCHOR BOLT SLOT DETAIL

NOTES:

1. See Specifications for additional requirements. The police panel and cabinet locks and keys shall be per the Department requirements.
2. Cabinet shall come completely pre-wired and pre-paneled with all plug-in components, unless specified otherwise.
3. Cabinets housing and doors shall be unpainted 5052-H32, 0.125 inch thick aluminum, unless otherwise specified.
4. The cabinet shall be at least a NEMA 3R rated.
5. For size and position of anchor bolts, see Foundation Detail T.S. 2-3. Anchor bolts shall be furnished with cabinet. The required size and location of the anchor bolts shall be verified by the contractor prior to the foundation construction.
6. Cabinets supplied shall be pre-approved.
7. Exact Configuration of the cabinet can vary slightly from what is shown, if approved by Department.
8. The photo electric cell with basket guard and the internal lighting control wiring and components should be provided if lighting controls are not provided per the meter pedestal or load center cabinet.
9. If cabinet is specified with an 18" elevator base use alternative bolt arrangement. Foundation shall be changed too.



ANCHOR BOLT SLOT DETAIL

(Typical when Cabinet is used Without and Elevator Base)

Exist

New

PLAN SYMBOLS

SEE ADDITIONAL REQUIREMENTS ON T.S. 3-7 AND T.S. 3-8

| | | |
|---------------------------|---------------------------------------------------------------------------------------------------------------------------------|-------------------------|
| DESIGN APPROVED | ARIZONA DEPARTMENT OF TRANSPORTATION INTERMODAL TRANSPORTATION DIVISION TRAFFIC SIGNALS AND LIGHTING STANDARD DRAWINGS | REVISION 03/10 |
| SIGNATURE | | DRAWING NO. T.S. 3-6 |
| APPROVED FOR DISTRIBUTION | ON FILE | SHEET NO. 1 OF 1 |
| | TYPE III CONTROL CABINET | |

NOT TO SCALE