

MATERIAL LIST		
Item	Qty	Description
①	1	Photo Electric Cell Basket Guard (5" Dia)
②	1	Mounting Receptacle Twist and Locking Type that Conforms to ANSI C136.10
③	1	Photo Electric Cell, to be Aimed North
④	1	Fitting Lock Nut
⑤	4	(1) 3/16" x 3/4" Carriage Bolt, (3) Flat Washers, (1) Lock Washer, & (1) Hex Nut Per Fastening

**NOTES:**

1. Orient Photo Electric Cell to face North.
2. The conduit connections between the mounting receptacle and the cabinet roof shall be watertight.
3. See the Specifications and sheet 2 for additional requirements.
4. Cell with basket guard shall be mounted on the roof of a load center or traffic signal control cabinet at a location shown on the plans.
5. The exact configuration of the basket guard can vary if the exact function as herein specified is achieved.
6. Entire basket guard shall be galvanized or stainless steel.

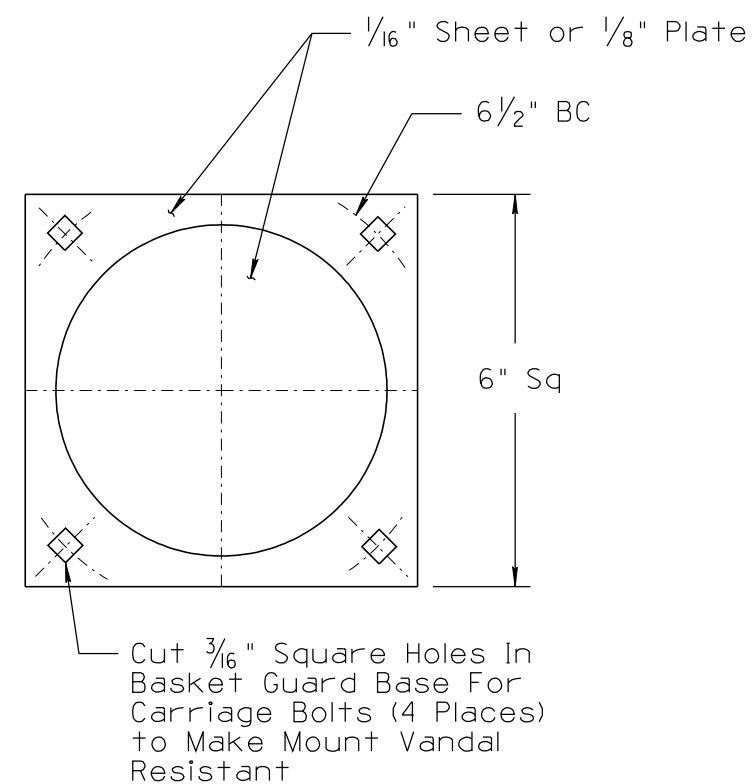
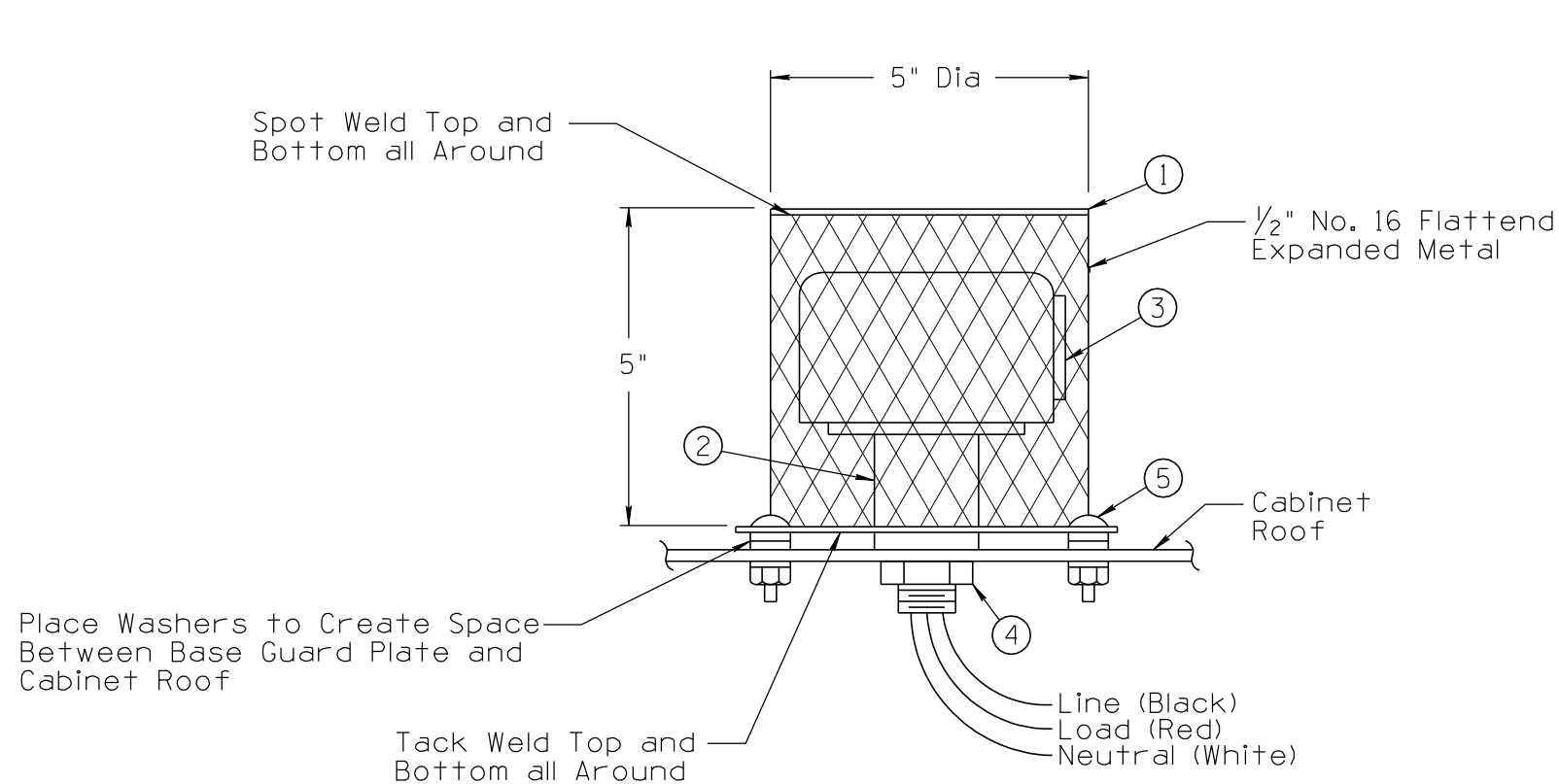


PHOTO CELL AND BASKET GUARD DETAILS

NOT TO SCALE

DESIGN APPROVED	ARIZONA DEPARTMENT OF TRANSPORTATION INTERMODAL TRANSPORTATION DIVISION TRAFFIC SIGNALS AND LIGHTING STANDARD DRAWINGS	REVISION 03/10
<b>SIGNATURE</b>		DRAWING NO. T.S. 3-4
APPROVED FOR DISTRIBUTION	PHOTO ELECTRIC CELL MOUNTING DETAILS	SHEET NO. 1 OF 2
<b>ON FILE</b>		