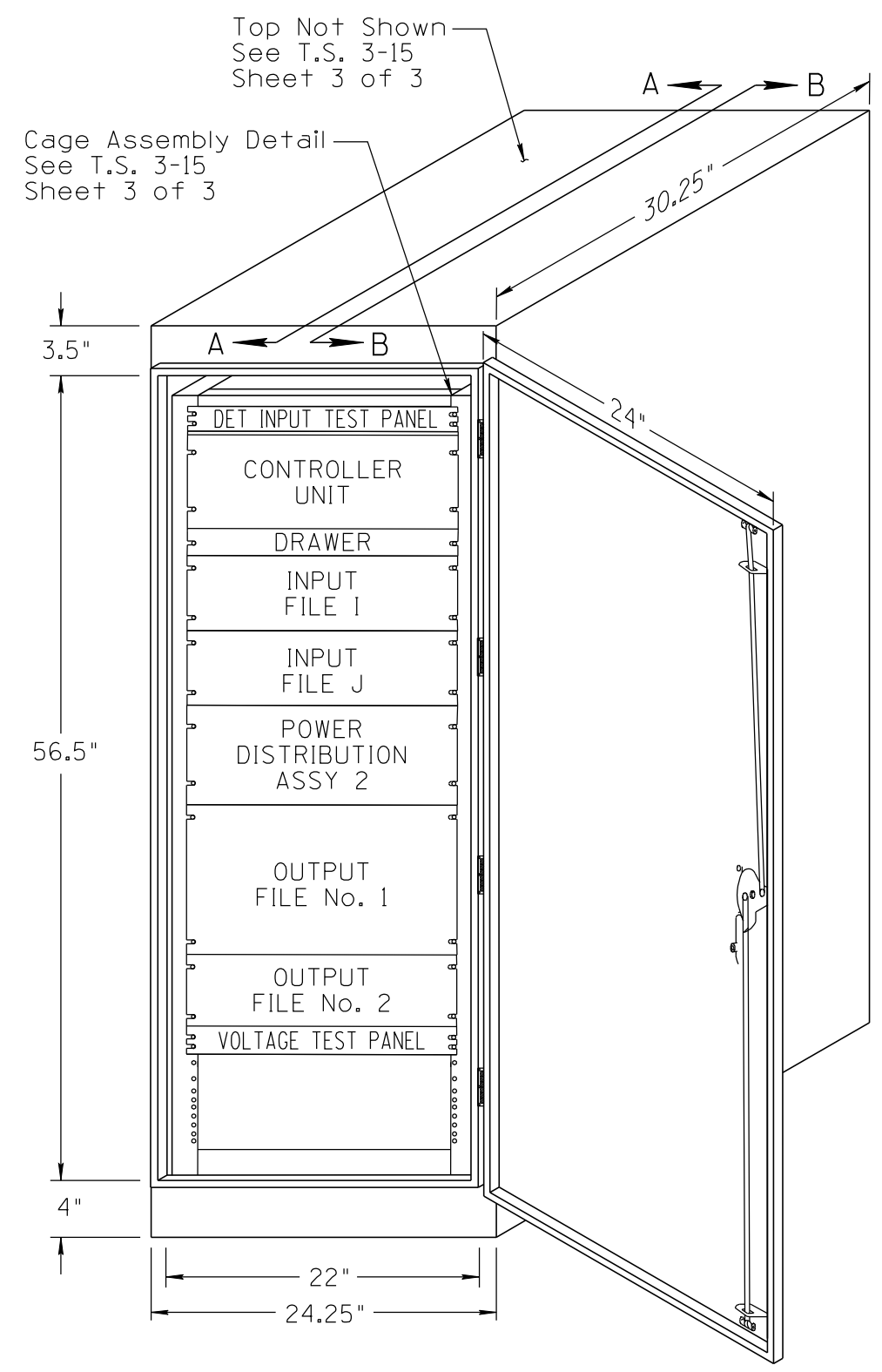
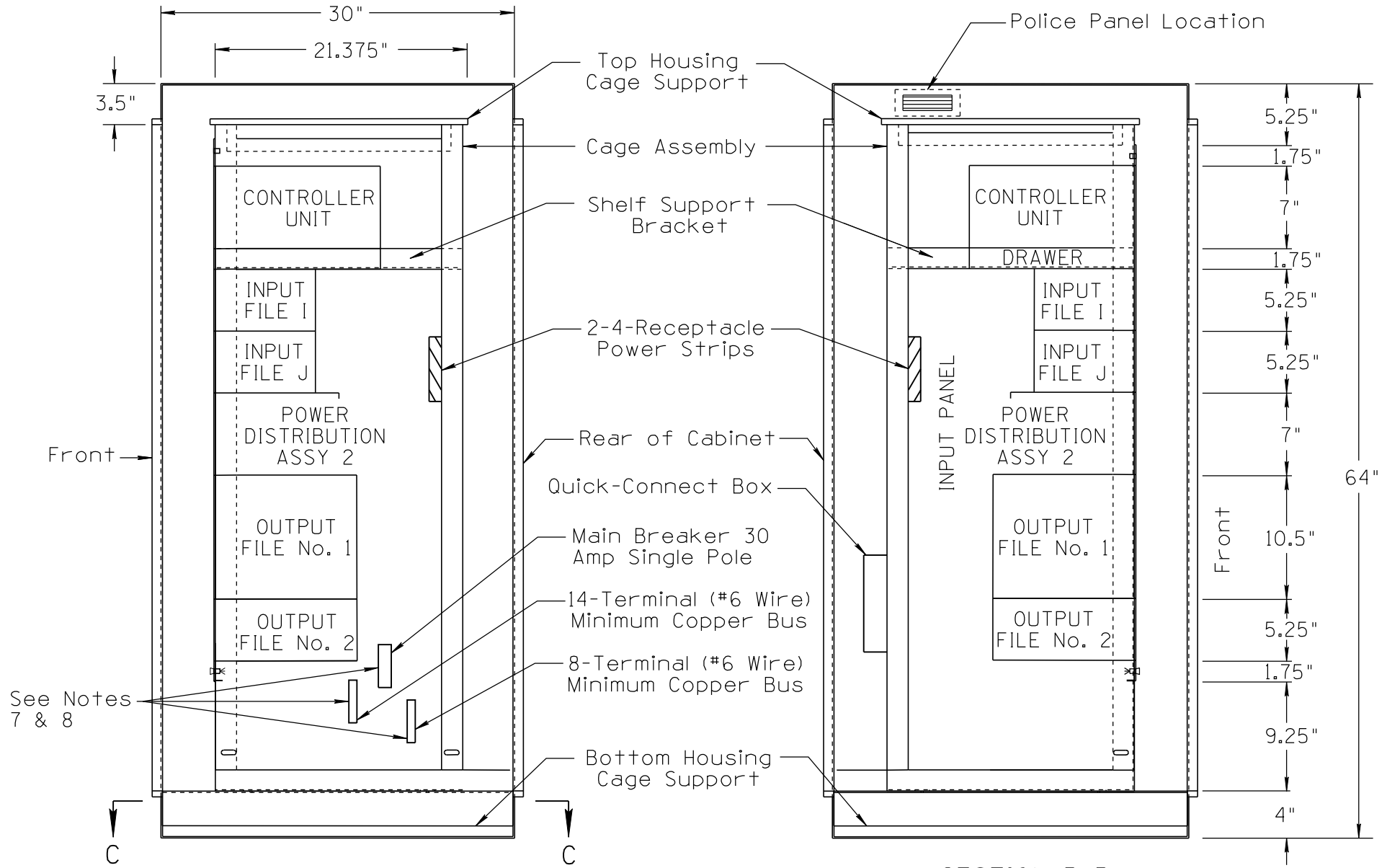


NO. 1 2010 EDITION
 DESCRIPTION OF REVISIONS
 NO. 3 4
 DATE 03/10
 MADE BY C. COLE
 DATE 03/10
 DESCRIPTION OF REVISIONS
 MADE BY
 DATE
 NO.

MODEL 345 CABINET DETAILS

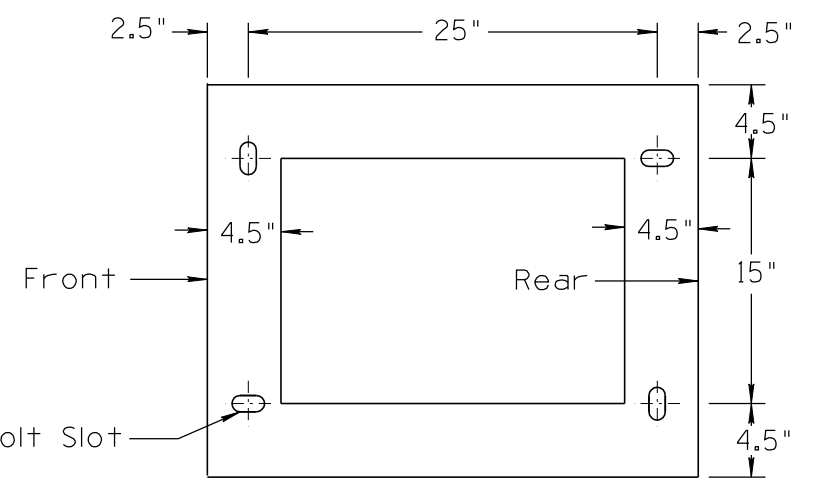


FRONT VIEW
(Schematic Layout)

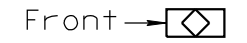
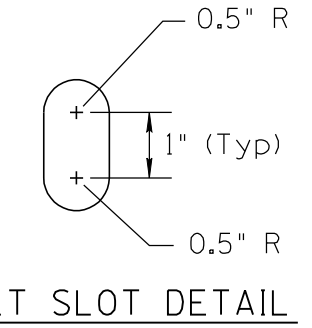


SECTION A-A

SECTION B-B



SECTION C-C



CABINET ORIENTATION PLAN SYMBOL

SEE NOTES ON SHEET 2

NOT TO SCALE

DESIGN APPROVED SIGNATURE	ARIZONA DEPARTMENT OF TRANSPORTATION INTERMODAL TRANSPORTATION DIVISION TRAFFIC SIGNALS AND LIGHTING STANDARD DRAWINGS	REVISION 03/10
APPROVED FOR DISTRIBUTION ON FILE	TRAFFIC SIGNALS AND LIGHTING MODEL 345 CABINET DETAILS	DRAWING NO. T.S. 3-13
		SHEET NO. 1 OF 3