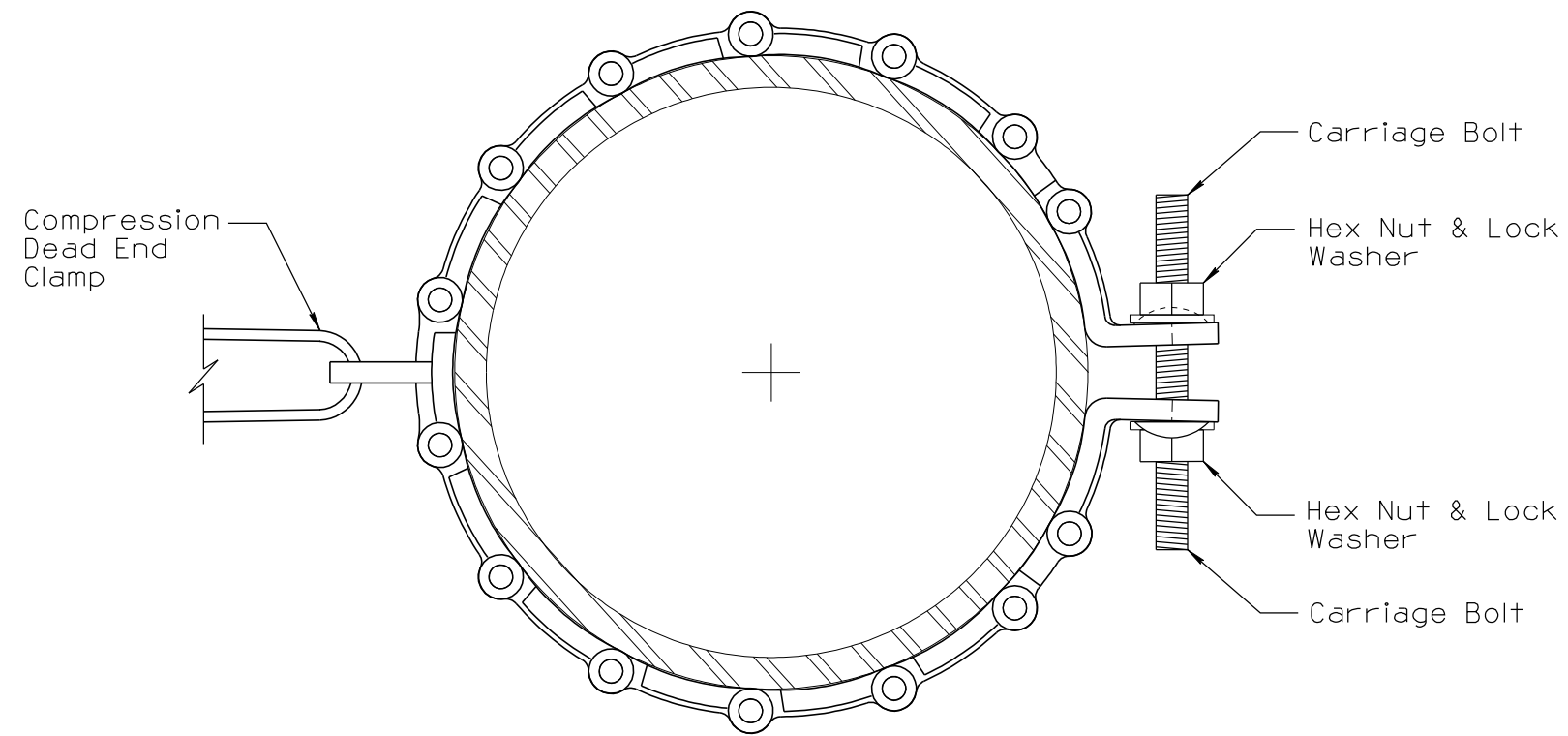
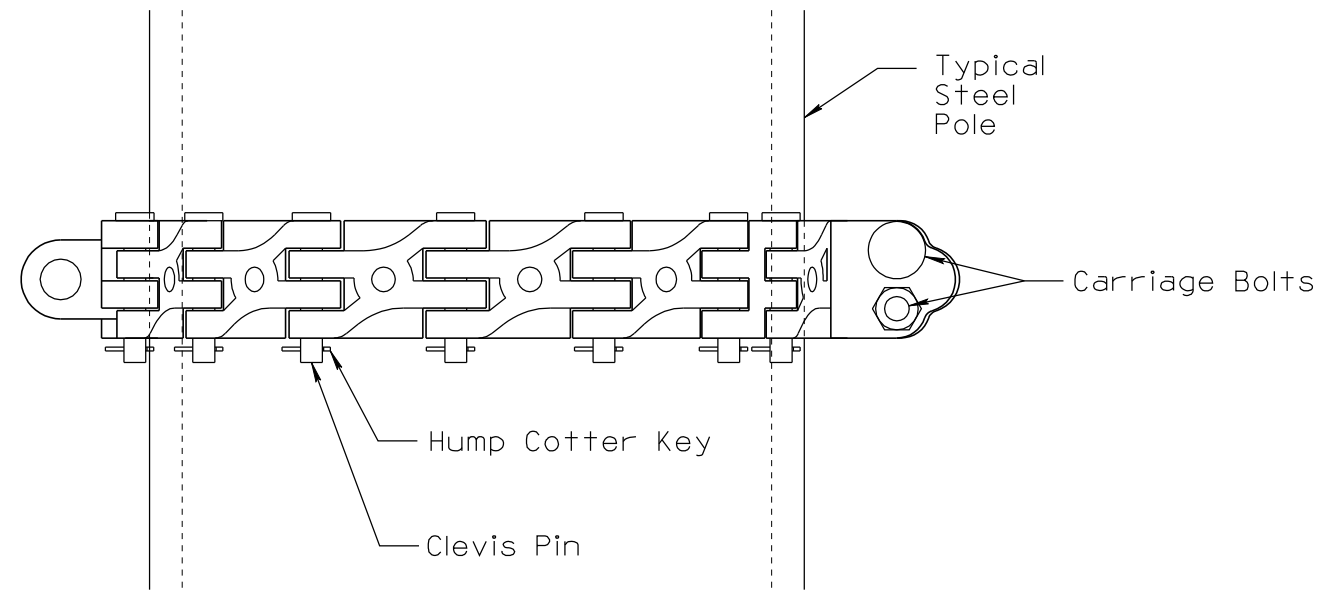


| | | | |
|-----|-----------------------------------|---------|-------|
| NO. | DESCRIPTION OF REVISIONS | MADE BY | DATE |
| 1 | 2012 ORIGINAL ISSUE - NEW DRAWING | C. COLE | 01/12 |
| 2 | | | |
| 3 | | | |
| 4 | | | |



TOP VIEW



SIDE VIEW

POLE BAND

NOT TO SCALE

| | | | |
|---------------------------|---|-------------|-----------|
| DESIGN APPROVED | ARIZONA DEPARTMENT OF TRANSPORTATION INTERMODAL TRANSPORTATION DIVISION TRAFFIC SIGNALS AND LIGHTING STANDARD DRAWINGS | REVISION | 01/12 |
| SIGNATURE | | DRAWING NO. | T.S. 15-7 |
| APPROVED FOR DISTRIBUTION | SPAN WIRE SIGNALS AND LIGHTING POLE BAND TYPICAL DETAILS | SHEET NO. | 1 OF 1 |
| ON FILE | | | |