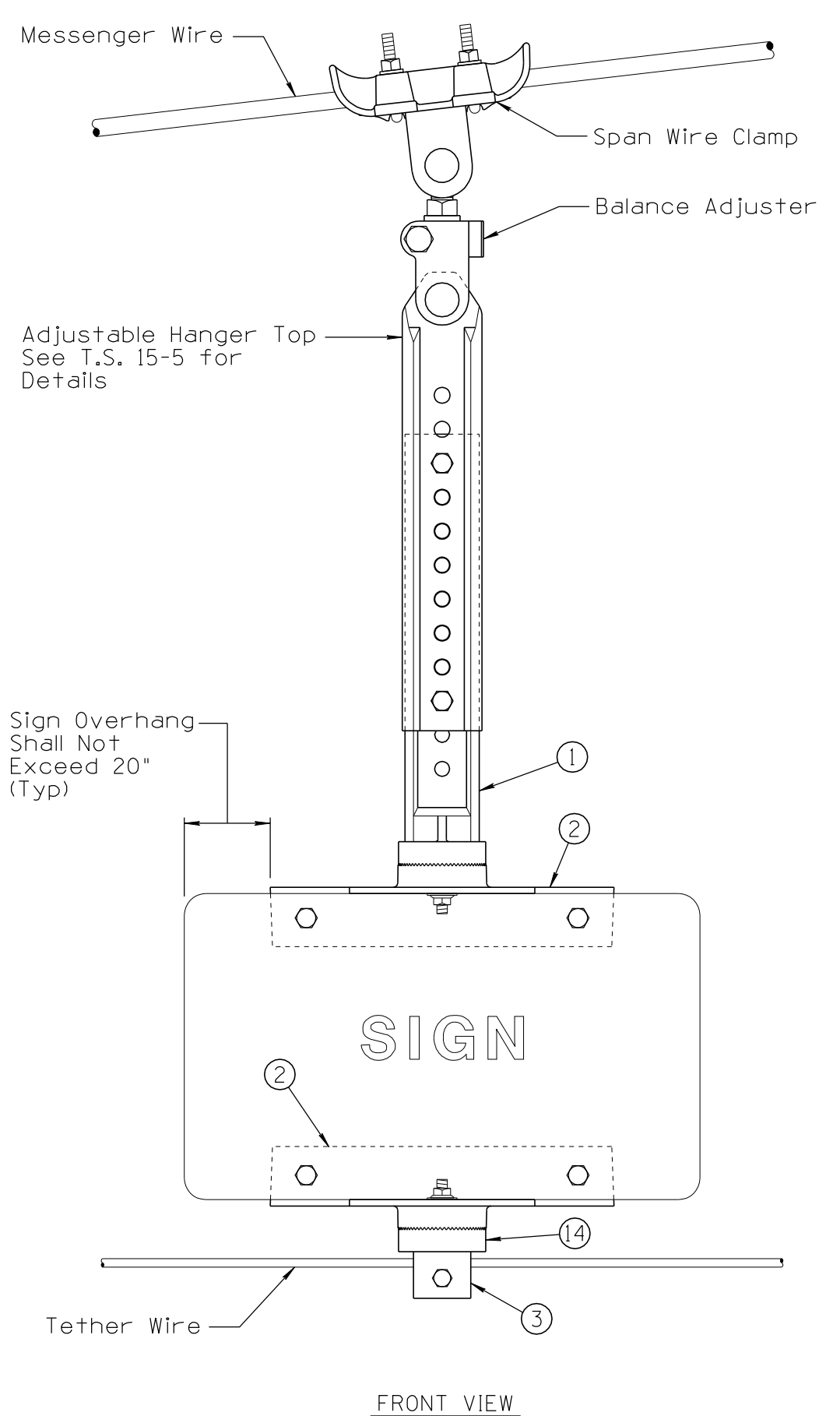
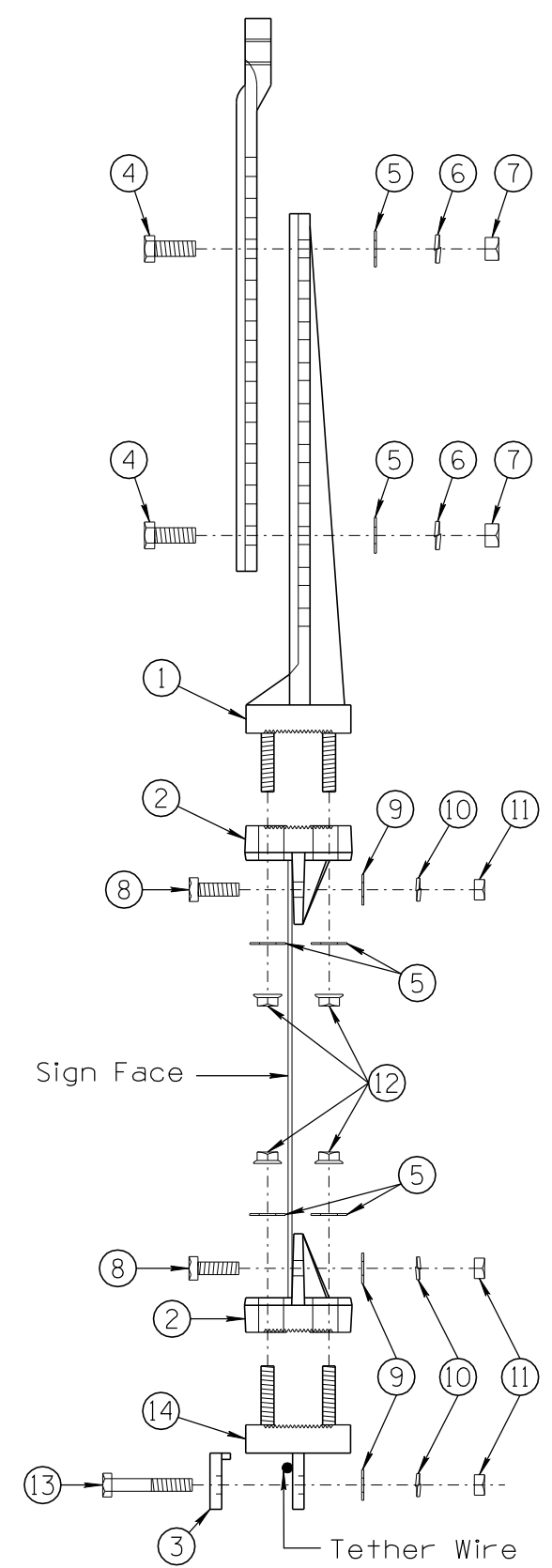


DATE: 01/12
 MADE BY: C. COLE
 NO. 3, 4
 DESCRIPTION OF REVISIONS: 1 2012 ORIGINAL ISSUE - NEW DRAWING



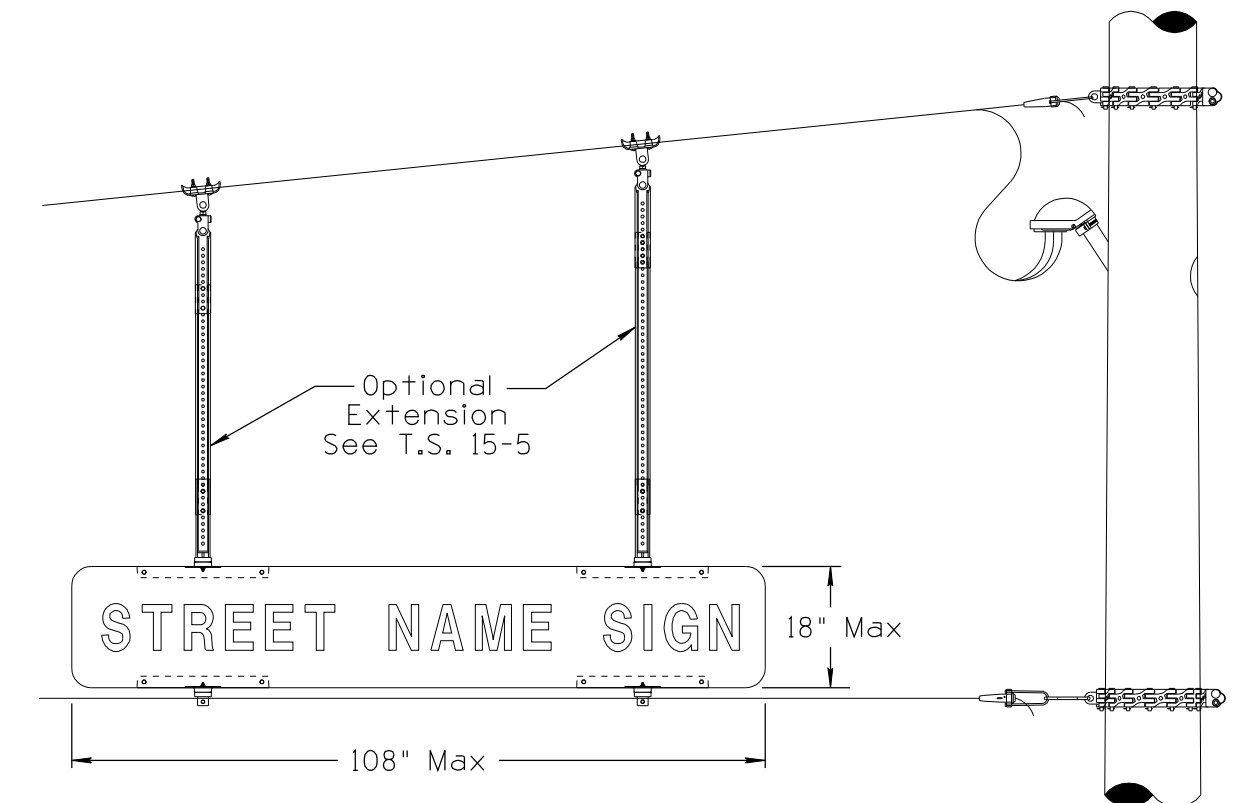
FRONT VIEW

ADJUSTABLE SIGN HANGER ASSEMBLY



SIDE VIEW

LIST OF MATERIALS		
Item	Qty	Description
①	1	Twin Stud Adjustable Hanger Bottom (See T.S. 15-4-1)
②	2	Sign Mounting Bracket (See T.S. 15-4-2)
③	1	Sign Tether Clamp Locking Plate (See T.S. 15-4-3)
④	2	3/8" x 1" Hex Head Bolt, Full Length Threads
⑤	6	13/32" ID x 7/8" OD x 3/64" Thk Flat Washer
⑥	2	3/8" ID x 11/16" OD x 3/32" Thk Lock Washer
⑦	2	3/8" Hex Head Nut
⑧	2	5/16" x 1" Hex Head Bolt
⑨	5	11/32" ID x 3/4" OD x 3/64" Thk Flat Washer
⑩	5	21/64" ID x 9/16" OD x 5/64" Thk Lock Washer
⑪	5	5/16" Hex Head Nut
⑫	4	5/16" Flanged Hex Head Nut
⑬	1	5/16" x 2" Hex Head Bolt, 1" Thread Length
⑭	1	Twin Stud Sign Bracket Tether Clamp



DUAL SIGN HANGER

NOT TO SCALE

DESIGN APPROVED SIGNATURE	ARIZONA DEPARTMENT OF TRANSPORTATION INTERMODAL TRANSPORTATION DIVISION TRAFFIC SIGNALS AND LIGHTING STANDARD DRAWINGS	REVISION 01/12
APPROVED FOR DISTRIBUTION ON FILE	SPAN WIRE SIGNALS AND LIGHTING ADJUSTABLE SIGN HANGER TYPICAL DETAILS	DRAWING NO. T.S. 15-4
		SHEET NO. 1 OF 3