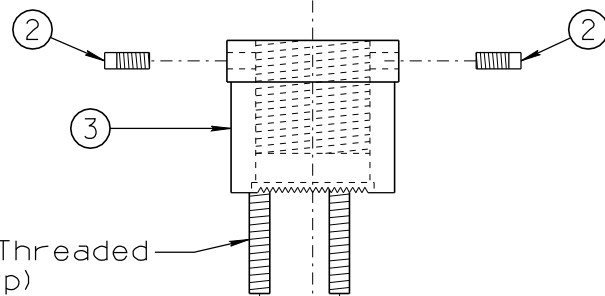
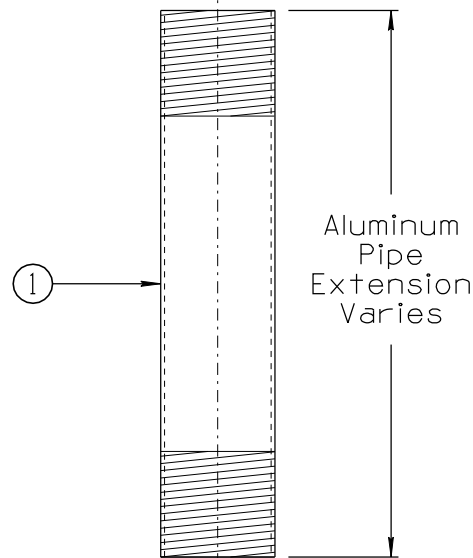
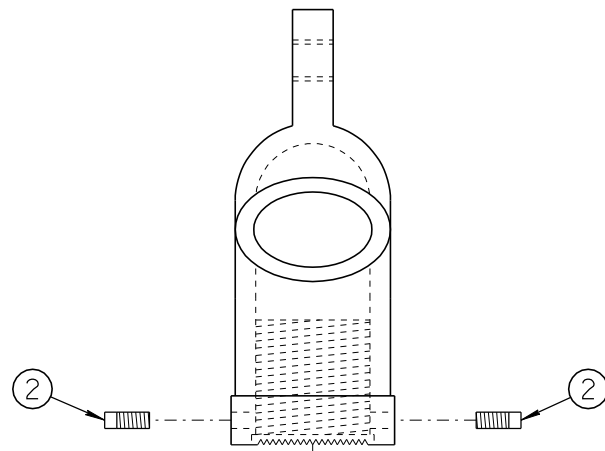
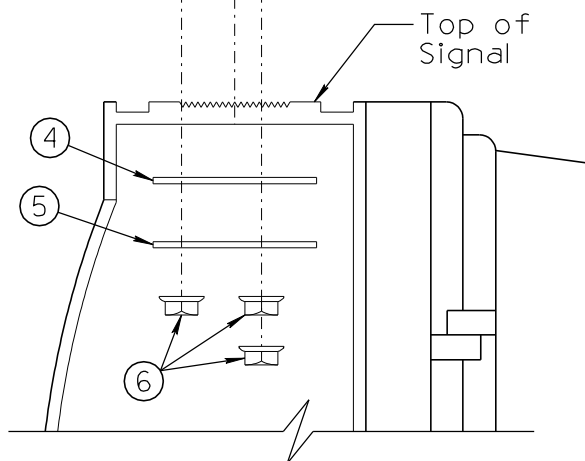


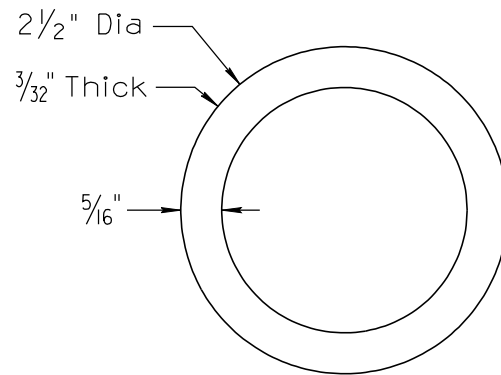
DATE: _____ MADE BY: _____ NO: 3 4 DATE: 01/12 MADE BY: C. COLE DESCRIPTION OF REVISIONS: 1 2012 ORIGINAL ISSUE - NEW DRAWING



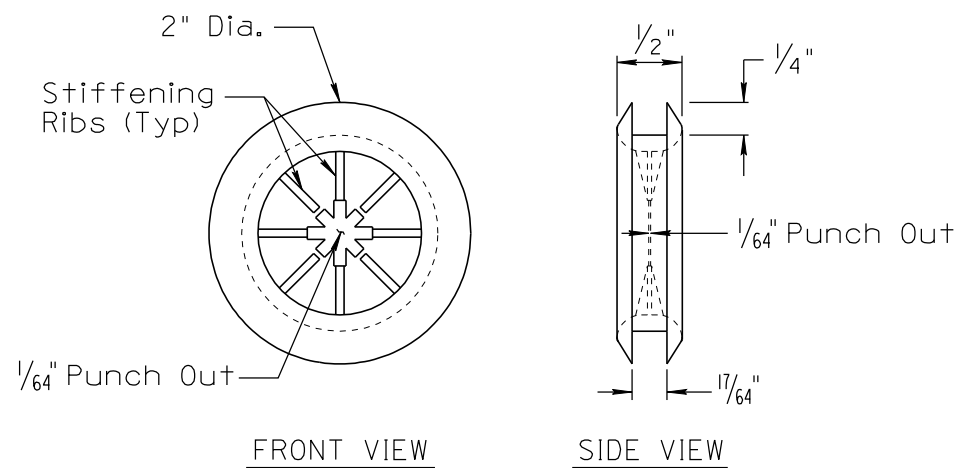
5/16" Dia Threaded Stud (Typ)



ALUMINUM PIPE EXTENSION W/TRI-STUD ADAPTER

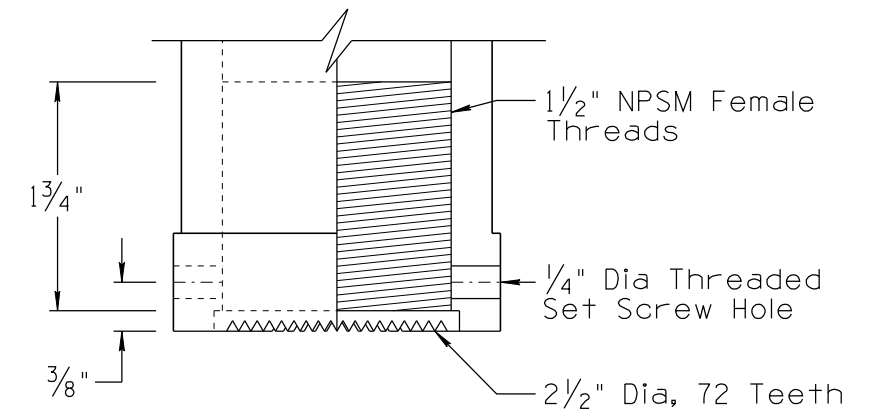


-1 RUBBER WASHER

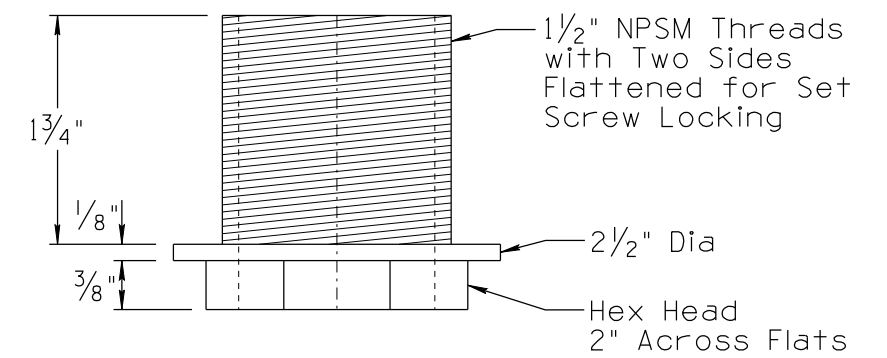


-3 RUBBER GROMMET

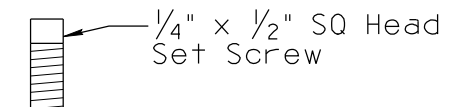
Other Weather Resistant Plugs are Permitted with Engineers Approval



-2 ALUMINUM CONDUIT TYPE
Conductor Cable Entrance Head Types A, B, & C



-4 CONDUCTOR CABLE ENTRANCE HEAD CHASE NIPPLE
For use when Aluminum Pipe Extension is not Needed



-5 SET SCREW

ALUMINUM CONDUIT TYPE

LIST OF MATERIALS		
Item	Qty	Description
①	1	1 1/2" Sch. 40 Aluminum Pipe w/NPSM Threads
②	4	1/4" x 1/2" SQ Head Set Screw (See T.S. 15-3-5)
③	1	1 1/2" NPSM Female Threaded Tri-Stud Adapter
④	1	Rubber Washer (See T.S. 15-3-1)
⑤	1	Mounting Plate (See T.S. 8-4, Sheet 3 of 4)
⑥	3	5/16" Flanged Hex Head Nut

NOT TO SCALE

DESIGN APPROVED SIGNATURE	ARIZONA DEPARTMENT OF TRANSPORTATION INTERMODAL TRANSPORTATION DIVISION TRAFFIC SIGNALS AND LIGHTING STANDARD DRAWINGS	REVISION 01/12
APPROVED FOR DISTRIBUTION ON FILE	SPAN WIRE SIGNALS AND LIGHTING ALUMINUM PIPE EXTENSION AND TYPICAL DETAILS	DRAWING NO. T.S. 15-3
		SHEET NO. 3 OF 3