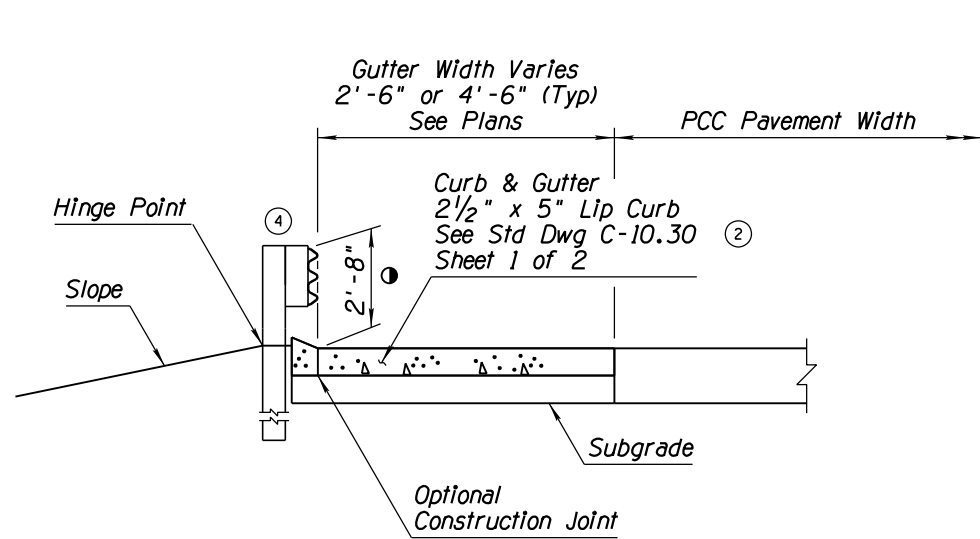


NO	DESCRIPTION OF REVISIONS	MADE BY	DATE
1	RENAMED STD DWG FROM C-10.06 AND REVISED TITLE	RLF	9/04
2	MODIFIED REFERENCE	RLF	4/06
3	MODIFIED REFERENCE & DRAWING DATE	RLF	7/06
4	REVISED SECTION VIEWS AND NOTE	RLF	5/12

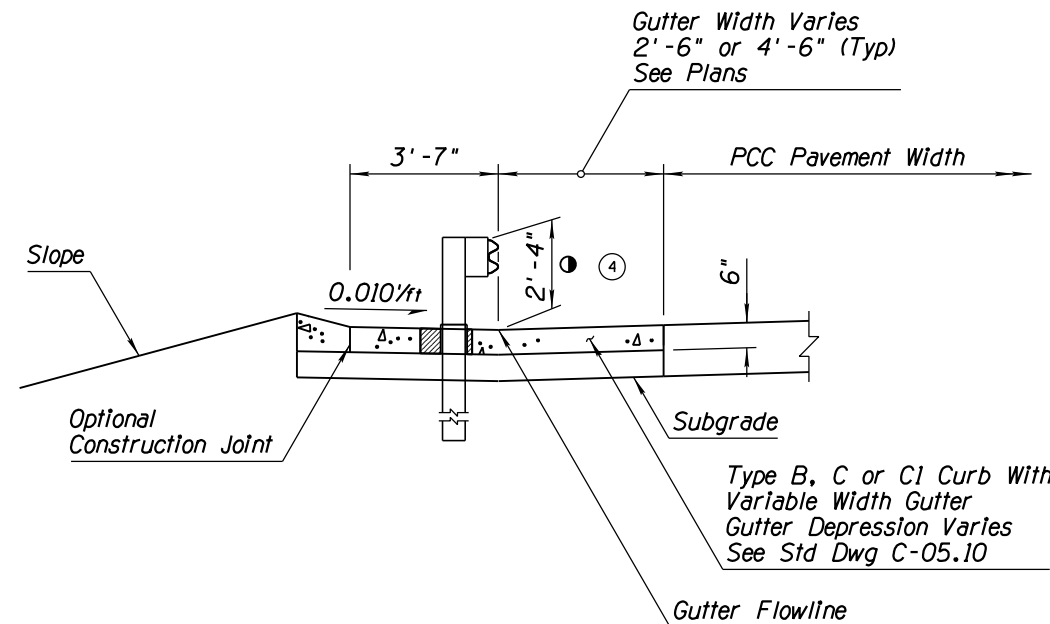
### GENERAL NOTES

1. See plans and barrier summary sheets for location and type of guardrail and end treatments. Timber post installation shown.
2. See Std Dwg C-05.10, 05.12, 10.01 and 10.02 for dimensions and details not shown.
3. Type B guardrail installation shown. For Type A guardrail installation, use Type D-1 Curb and Gutter instead of the Type D-2 Curb and Gutter shown.
4. See plans for type and location of drainage facilities.
5. Bituminous joint filler (1/2") shall be placed when the curb & gutter or concrete widening abuts slotted drains, catch basins, dados, barrier, etc. Scored joints, 2" in depth, shall be placed to match adjacent joints in PCCP or at 15' intervals when adjacent to AC or continuously reinforced concrete pavement.

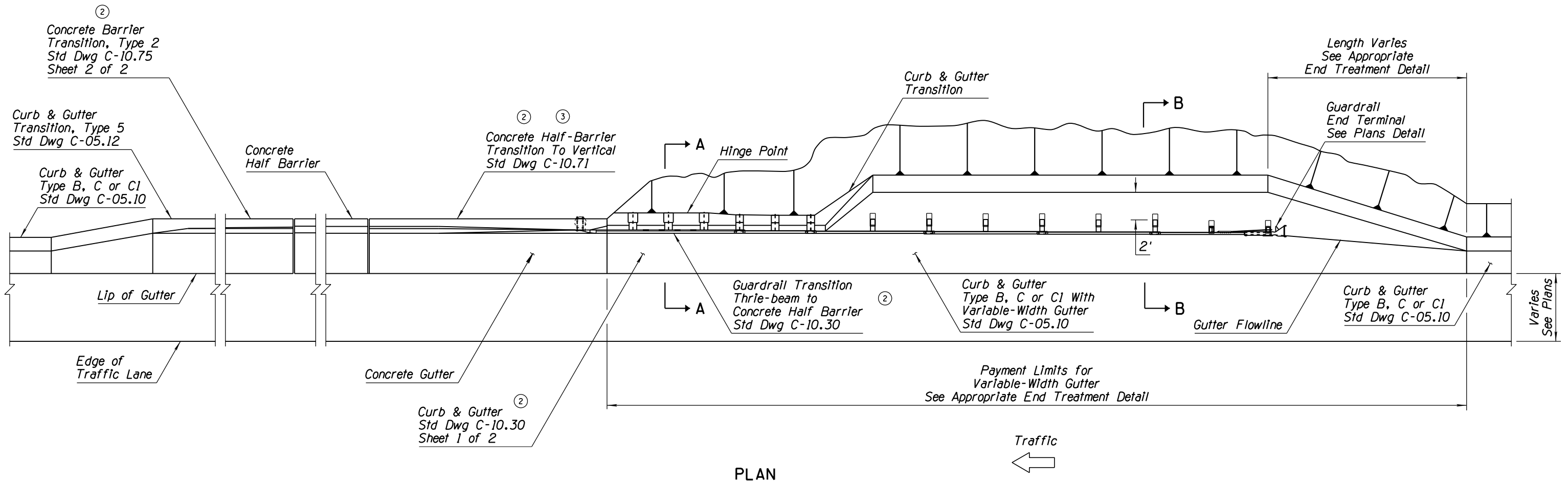
④ ● To Top of Beam



SECTION A-A



SECTION B-B



PLAN

APPROVED FOR DESIGN <i>Mary Viparina</i>	STATE OF ARIZONA DEPARTMENT OF TRANSPORTATION ROADWAY STANDARD DRAWINGS	REV. 5/12
APPROVED FOR DISTRIBUTION <i>Julio [Signature]</i>	CONCRETE HALF-BARRIER TRANSITION END TERMINAL CURB AND GUTTER	DRAWING NO. C-10.77

NORMAL.TBL