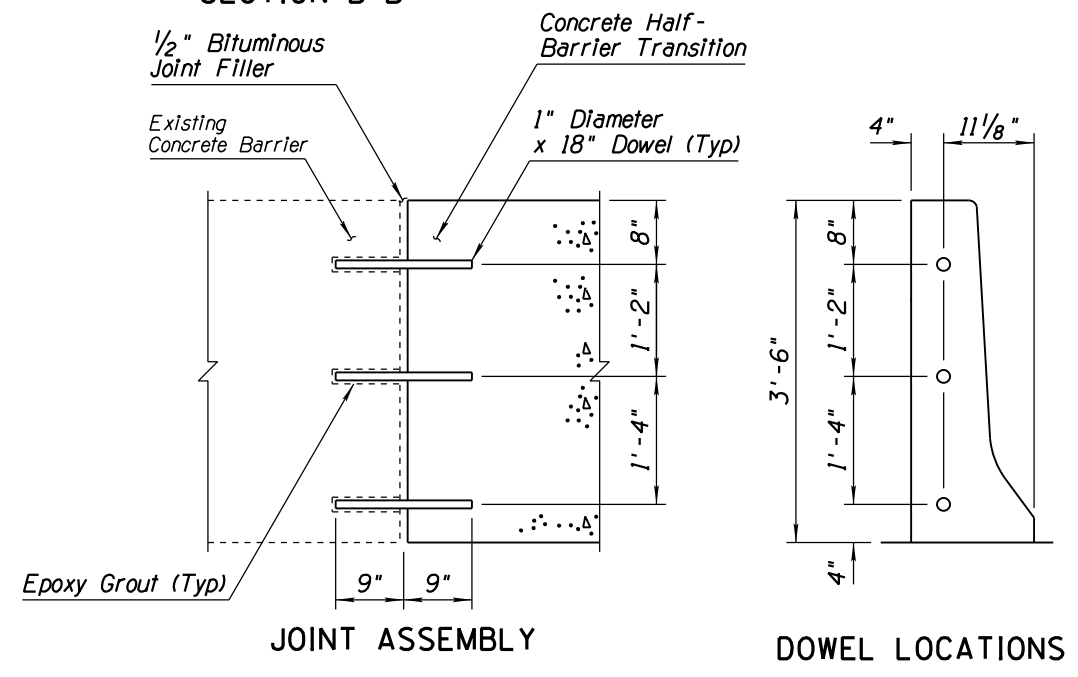
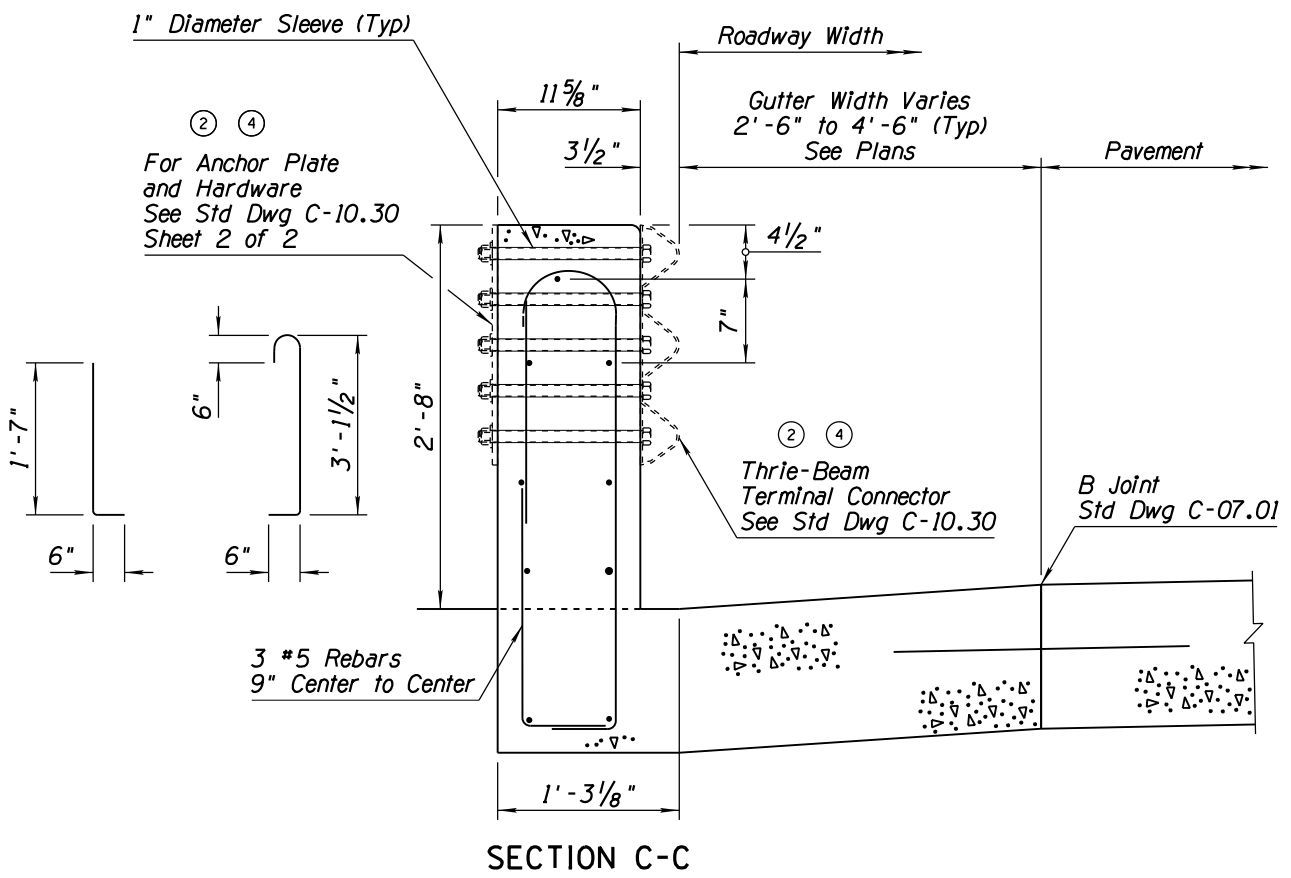
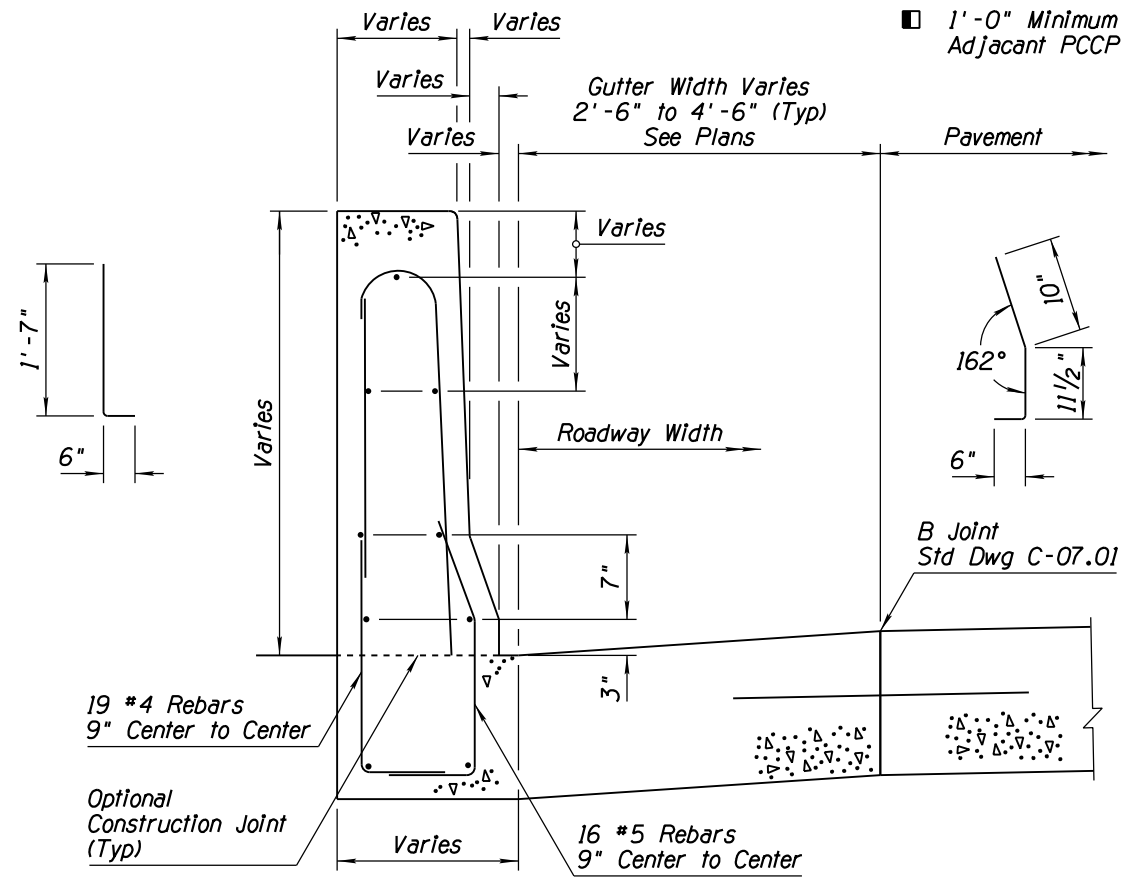
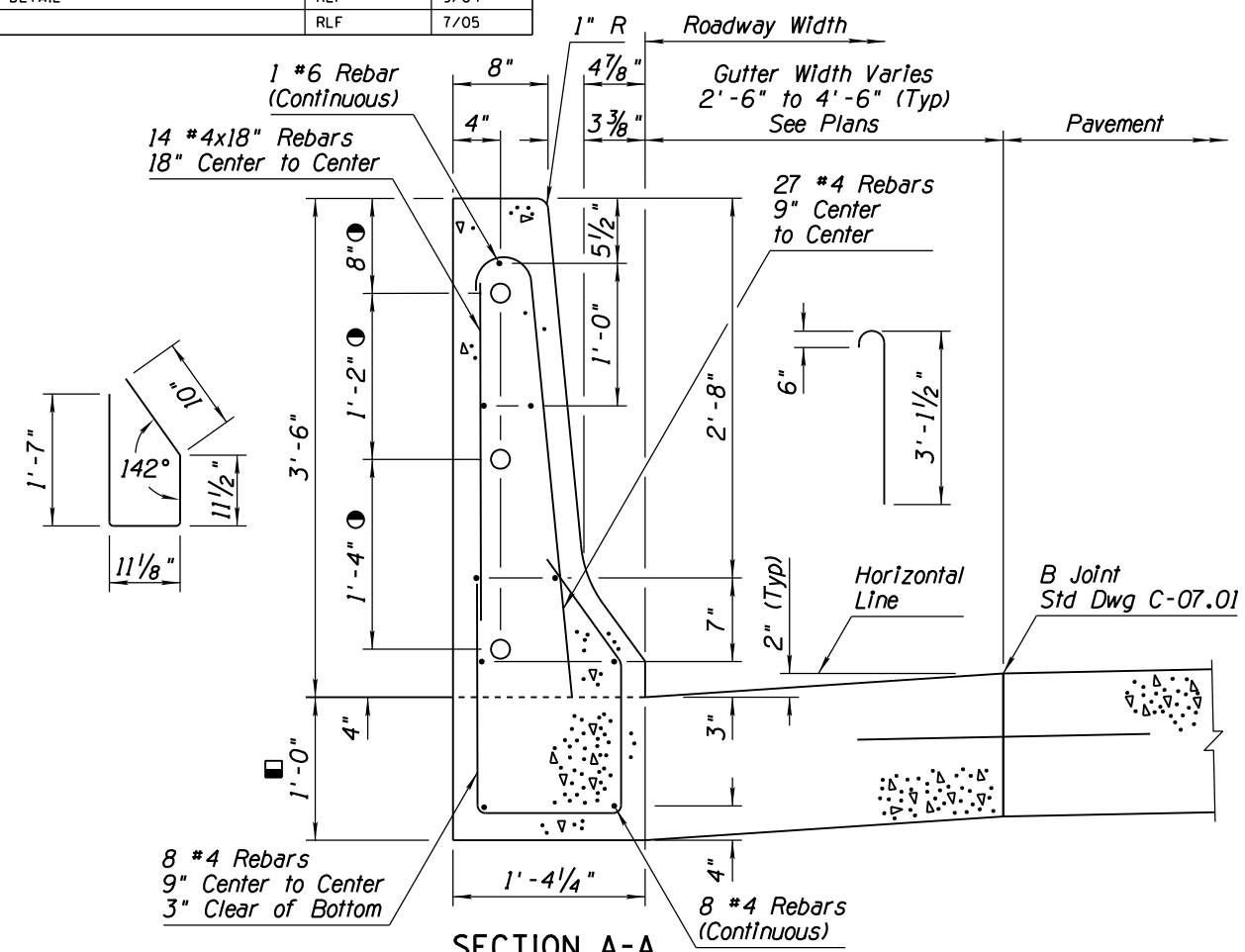


NO.	DESCRIPTION OF REVISIONS	MADE BY	DATE
1	REVISED TITLE	RLF	9/04
2	ADDED REFERENCE	RLF	9/04
3	REMOVED ANCHOR PLATE DETAIL	RLF	9/04
4	REVISED NOTE	RLF	7/05

- See Optional Construction Joint Detail
- 1'-0" Minimum or Match Thickness of Adjacent PCCP



**CONSTRUCTION JOINT DETAIL (OPTIONAL)**

APPROVED FOR DESIGN 	STATE OF ARIZONA DEPARTMENT OF TRANSPORTATION ROADWAY STANDARD DRAWINGS	REV. 5/12
APPROVED FOR DISTRIBUTION 	CONCRETE HALF-BARRIER TRANSITION TO VERTICAL 42" TO 32" TYPE 'F' WITH GUTTER	DRAWING NO. C-10.73 Sheet 2 of 2