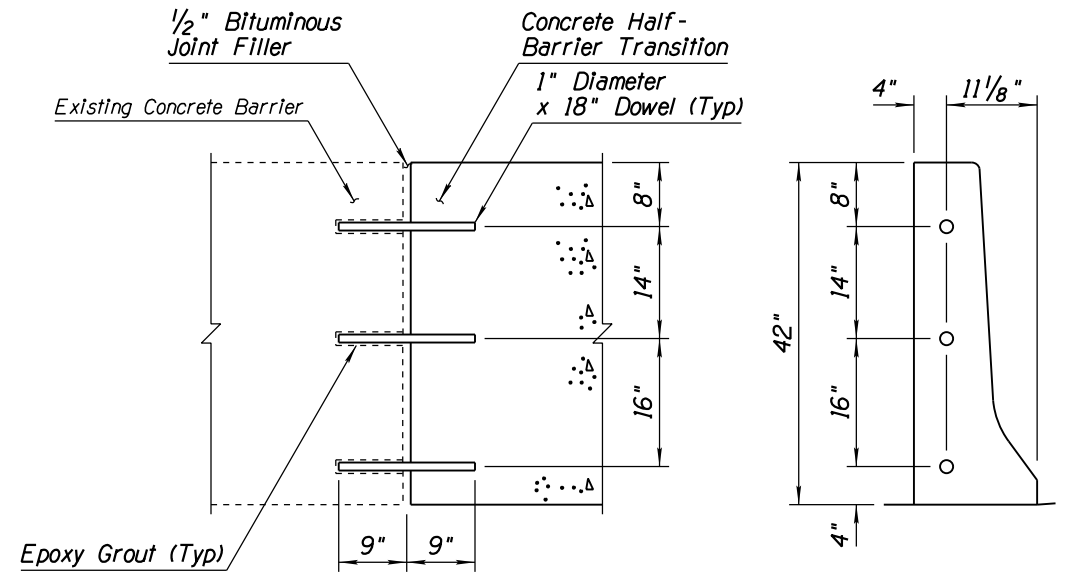


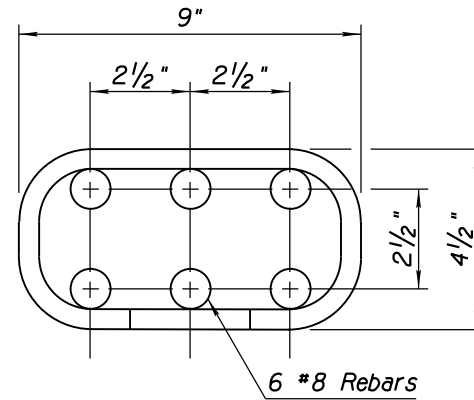
NO	DESCRIPTION OF REVISIONS	MADE BY	DATE
1	REVISED TITLE	RLF	9/04
2	REMOVED ANCHOR PLATE DETAIL	RLF	9/04
3			
4			



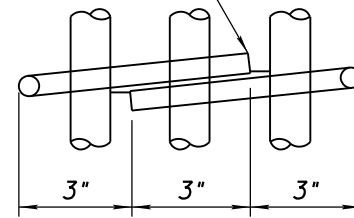
JOINT ASSEMBLY

DOWEL LOCATIONS

CONSTRUCTION JOINT DETAIL  
(OPTIONAL)



#4 Rebar Tie  
12" Center to Center



CAISSON REINFORCEMENT

②

APPROVED FOR DESIGN 	STATE OF ARIZONA DEPARTMENT OF TRANSPORTATION ROADWAY STANDARD DRAWINGS	REV. 5/12
APPROVED FOR DISTRIBUTION 	CONCRETE HALF-BARRIER TRANSITION TO VERTICAL 42" TO 32" TYPE 'F' WITH CAISSONS ①	DRAWING NO. C-10.72 Sheet 3 of 3